

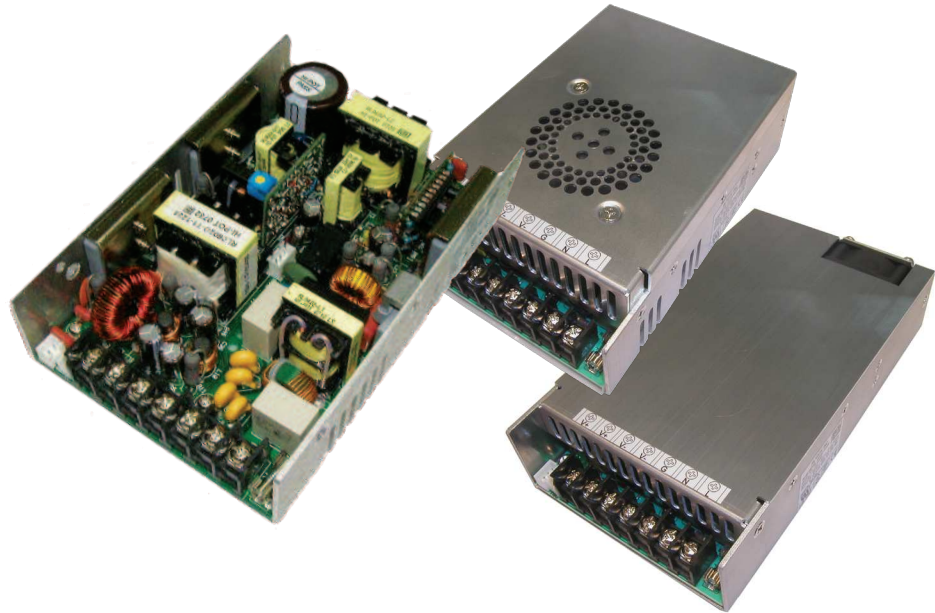
LV320 Series

320 Watt U-Frame Switching Power Supply
Single Outputs ranging from 3.0~56 VDC



Product Features:

- Universal AC input with Power Factor Correction
- Small Size:
 - only 6.00 x 4.00 x 1.50" (U-Frame)
 - only 7.00 x 4.00 x 1.60" (End-Mount Fan Package)
 - only 6.00 x 4.00 x 2.00" (Top-Mount Fan Package)
- Optional -40~+75°C Operating Temperature Range
- Price competitive design
- Signals including Power Good & Fan
- Auxiliary Fan Output Function
- EN61000-3-2 / IEC100-3-2 Compliant
- Worldwide Safety Approvals
- EN55022 & FCC Class B Emissions
- CE Mark



INPUT SPECIFICATIONS:

VOLTAGE	Universal VAC Input (90-264 VAC)
FREQUENCY	47-63Hz
INRUSH	35 @ 115 VAC / 70A @ 230VAC (Max Cold Start)
CURRENT	8A @ 100 VAC / 4A @ 200 VAC (Max Continuous)
PROTECTION	Single 8A Fuse / 250 VAC
LEAKAGE	1500uA Max @ 264 VAC
HOLD-UP	20ms Minimum (80% Load)
HARMONICS	EN61000-3-2 Class D Compliant

OUTPUT SPECIFICATIONS:

ADJUSTMENT RANGE	±5 % (Minimum)
MINIMUM LOAD	None
LINE REGULATION	±1% Max over entire input range
LOAD REGULATION	±1% maximum
RIPPLE	±1% or 50mV pk-k max, whichever is greater (20MHz)
SETPOINT ACCURACY	±1%
OVER CURRENT	110~140% (Auto-Recovery)
OVER VOLTAGE PROTECTION	Latches >130% of Vnom

STATUS & CONTROL SPECIFICATIONS:

DC OK	High Signal indicates DC Output is on and within regulation
FAN FAIL	High Signal indicates Fan Failure (15V / 5mA Sink)
AUXILIARY FAN	12 V @ 300mA

GENERAL SPECIFICATIONS:

OPERATING TEMPERATURE	0 ~ +70°C (Derate 2.5% per °C above 50°C), Option "I" = -40~+75°C
STORAGE TEMPERATURE	-40 ~ +85°C
COOLING	18cfm Airflow for Full Load
HUMIDITY	5-95% (non-condensing)
VIBRATION	10-55Hz, 2G, 3Min Period, / 60 min each (3 axes)
SHOCK	20G Peak Acceleration
RELIABILITY	>100k Hrs (according to MIL-HBK-217F) at 30°C

EMISSIONS:

EMISSIONS	EN55022 Level B (Conducted)
ELECTROSTATIC DISCHARGE	EN61000-4-2, 4kV Contact / 8kV Air
RADITED SUSCEPTIBILITY	EN61000-4-3, 26-1000MHz, 10V/M, 80%AM
EFT / BURSTS	EN61000-4-4, 2kV
SURGES	EN61000-4-5, 2kV Earth, 1kV Line-Line
CONDUCTED IMMUNITY	EN61000-4-6, 0.15-800MHz, 10V 80%
VOLTAGE DIPS	EN61000-4-10, 95% Dip & 10ms, 30% Dip & 500ms
VOLTAGE INTERRUPTIONS	EN61000-4-11, 95% reduction, 5ms
FLUCTUATIONS & FLICKER	EN61000-3-3

SAFETY STANDARDS:

UL /CUL	60950-1
CSA	22.2 No. 60950-1
TUV	EN69050-1
CB	IEC60950-1
CE MARK	Low Voltage Directive



lhvpower.com

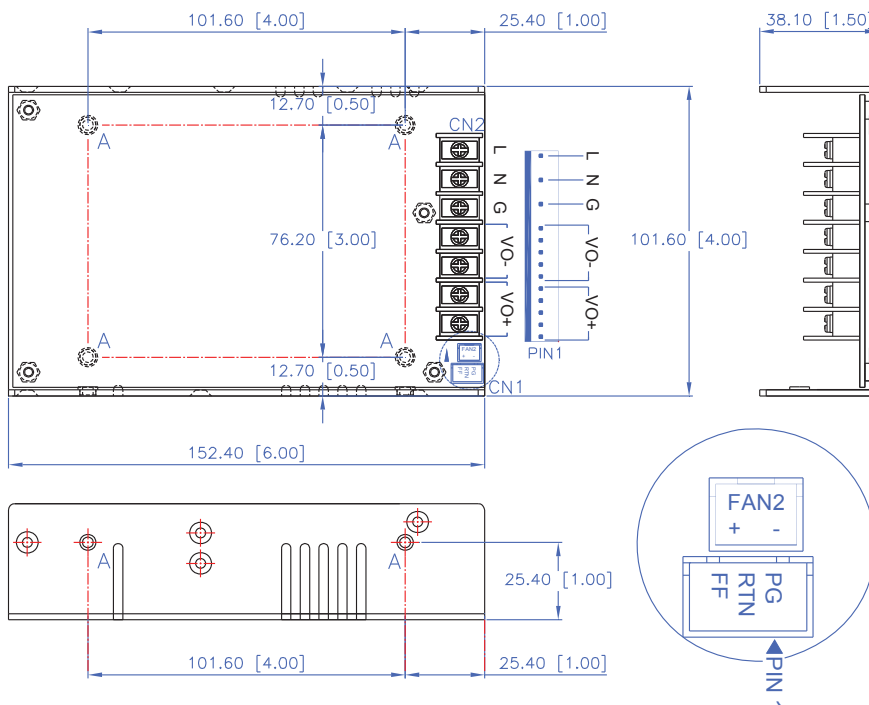
LV320 Series

320 Watt U-Frame Switching Power Supply
Single Outputs ranging from 3.0~56 VDC

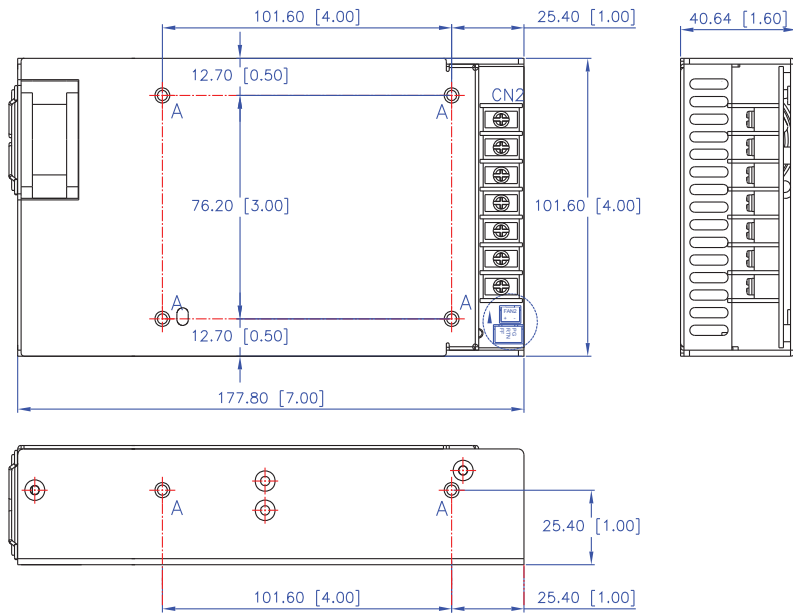
PART #	INPUT	V1 / A1	NOTE
LV320x-03		3.3V 45A	Factory Setpoint 2.0~5.5 VDC
LV320x-05		5.0V 45A	Factory Setpoint 2.0~5.5 VDC
LV320x-09		9V 29.10	Factory Setpoint 6~11 VDC
LV320x-12		12V 29.66A	Factory Setpoint 12~15 VDC
LV320x-15		15V 21.33A	Factory Setpoint 12~15 VDC
LV320x-18		18V 17.78A	Factory Setpoint 16~20 VDC
LV320x-24		24V 13.33A	Factory Setpoint 21~26 VDC
LV320x-28		28V 11.43	Factory Setpoint 27~34 VDC
LV320x-36		36V 8.89A	Factory Setpoint 35~42 VDC
LV320x-48		48V 6.67A	Factory Setpoint 43~50 VDC
LV320x-54		54V 5.92A	Factory Setpoint 51~60 VDC

- Replace "x" with the options below to designate preferred mechanical package: U = U-Frame Package F = Top-Mount Fan E = End Mount Fan
- Add the suffix I to designate Industrial Operating Temperature Range of -40 ~ +75°C.
- Consult LHV for any Output Voltage within the specified Factory Setpoint Ranges above (All safety approvals are maintained)
- Standard Connections are Terminal Block. Add the Suffix "M" to designate Molex type connectors.
- Input and Output Connector (CN2): Howder Terminal block Part No. HB-95-7P or Mating Molex Part No. 09-91-1600 (16 pin).
- Mounting Inserts: 8 Places M4X0.7. Maximum Penetration 4mm sees outline drawing for location.
- Logic signal connector (CN1): Mating JST XHP-3 or equivalent (CHYAO SHIUNN JS-2001-03); Mating Pins: JST SXH-002T-PO.6 FOR AWG 30 to 26.
- Fan driver connector (FAN2): Mating connector is a Molex P/N 22-01-1022 (2 pins 0.98 pitch) or equivalent with Series 2759 or 5159 terminals.

U-Frame Package:



End Mount Fan Package:



Top Mount Fan Package:

