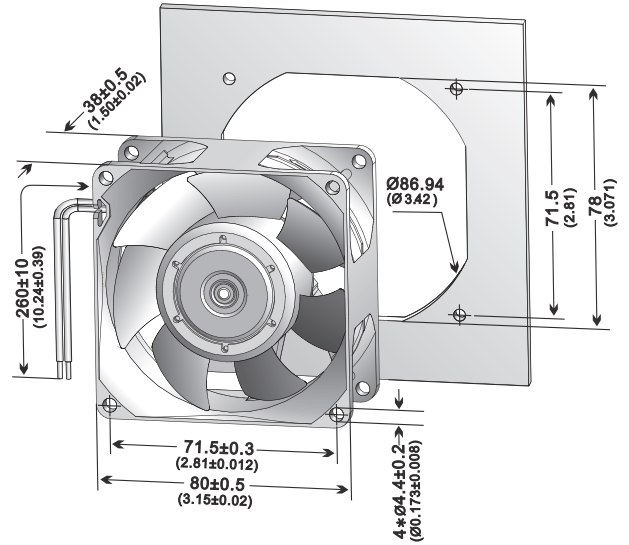


# K-SERIES

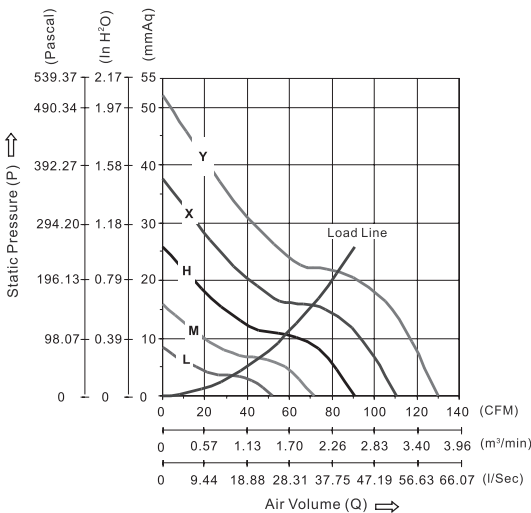


## 80 x 80 x 38 mm Series

Frame: Thermoplastic PBT (GF 30%), UL94-V0  
 Impeller: Thermoplastic PBT (GF 15%), UL94-V0  
 Bearing System: Ball Bearing  
 Lead Wire: UL 1007, AWG 24 / 260 mm, Red (+), Black (-)  
 Protection: Locked rotor protected for minimum 72 hours



### PQ GRAPH (AT RATED VOLTAGE)



### AVAILABLE FUNCTIONS

| 1a. IR | 1b. AS   | 1c. MS   | 2a. FG | 2b. RD | 2c. RD <sub>b</sub> | 2d. LD   | 3. SG/PWM |
|--------|----------|----------|--------|--------|---------------------|----------|-----------|
| ●      | ●        |          | ●      | ●      | ●                   | ●        | ●         |
| 4. OV  | 5a. TPWM | 5b. RPWM | 6. CL  | 7. CS  | 8a. VPWM            | 8b. IPWM | 8c. PPWM  |
|        | ●        | ●        | ●      | ●      | ●                   | ●        | ●         |

| Part Number     | Voltage (VDC) | Current (Amp.) | Power (Watts) | Speed (RPM) | Air Flow (Q) |          | Pressure (P) |                       | Noise (dBA) | Unit Weight (Q'TY/CTN) |
|-----------------|---------------|----------------|---------------|-------------|--------------|----------|--------------|-----------------------|-------------|------------------------|
|                 |               |                |               |             | (CFM)        | (m³/min) | (mmAq)       | (In H <sub>2</sub> O) |             |                        |
| K8038X12BPLBx-7 | 12<br>(07-14) | 1.650          | 19.80         | 8000        | 103.92       | 2.944    | 29.55        | 1.163                 | 60.60       | 198g<br>(60pcs)        |
| K8038H12BPLBx-7 |               | 1.100          | 13.20         | 7000        | 90.93        | 2.576    | 22.63        | 0.891                 | 57.10       |                        |
| K8038M12BPLBx-7 |               | 0.550          | 6.60          | 5500        | 71.44        | 2.020    | 13.97        | 0.550                 | 50.80       |                        |
| K8038L12BPLBx-7 |               | 0.250          | 3.00          | 4000        | 51.96        | 1.470    | 7.39         | 0.291                 | 42.50       |                        |
| K8038Y24BPLBx-7 | 24<br>(15-27) | 1.350          | 32.40         | 10000       | 129.89       | 3.680    | 46.17        | 1.818                 | 66.40       | 198g<br>(60pcs)        |
| K8038X24BPLBx-7 |               | 0.920          | 22.08         | 8500        | 110.40       | 3.127    | 33.66        | 1.325                 | 62.20       |                        |
| K8038H24BPLBx-7 |               | 0.500          | 12.00         | 7000        | 90.93        | 2.576    | 22.63        | 0.891                 | 57.10       |                        |
| K8038M24BPLBx-7 |               | 0.260          | 6.24          | 5500        | 71.44        | 2.020    | 13.97        | 0.550                 | 50.80       |                        |
| K8038L24BPLBx-7 | 0.130         | 3.12           | 4000          | 51.96       | 1.470        | 7.39     | 0.291        | 42.50                 |             |                        |
| K8038Y48BPLBx-7 | 48<br>(30-57) | 0.650          | 31.20         | 10000       | 129.89       | 3.680    | 46.17        | 1.818                 | 66.40       | 198g<br>(60pcs)        |
| K8038X48BPLBx-7 |               | 0.410          | 19.68         | 8500        | 110.40       | 3.127    | 33.66        | 1.325                 | 62.20       |                        |
| K8038H48BPLBx-7 |               | 0.250          | 12.00         | 7000        | 90.93        | 2.576    | 22.63        | 0.891                 | 57.10       |                        |
| K8038M48BPLBx-7 |               | 0.150          | 7.20          | 5500        | 71.44        | 2.020    | 13.97        | 0.550                 | 50.80       |                        |
| K8038L48BPLBx-7 | 0.080         | 3.84           | 4000          | 51.96       | 1.470        | 7.39     | 0.291        | 42.50                 |             |                        |

- All MICRONEL fans listed here refer to double ball bearing types; Sleeve bearing types may consume about 10% more power for the same speed.
- Noise Measurements are taken with background noise of 16.8 dBA.
- Please see «Function Legend» for explanation of each function.
- Specifications are subject to change without notice.