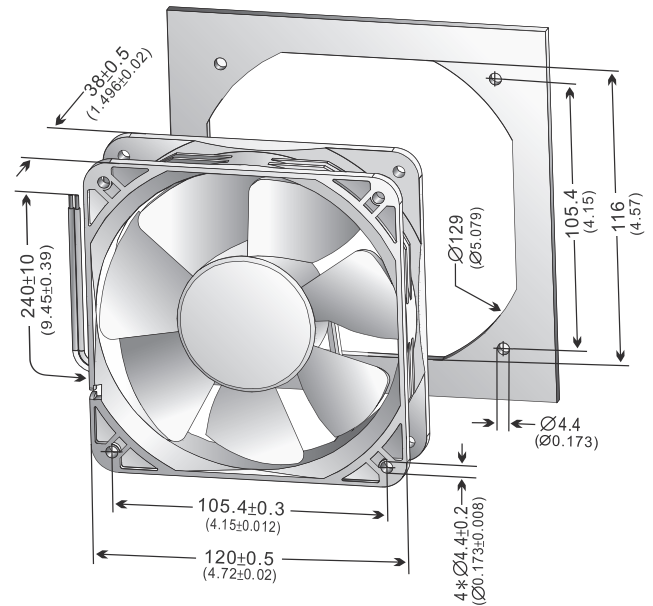
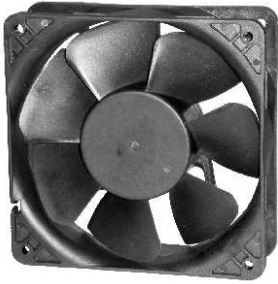


K-SERIES

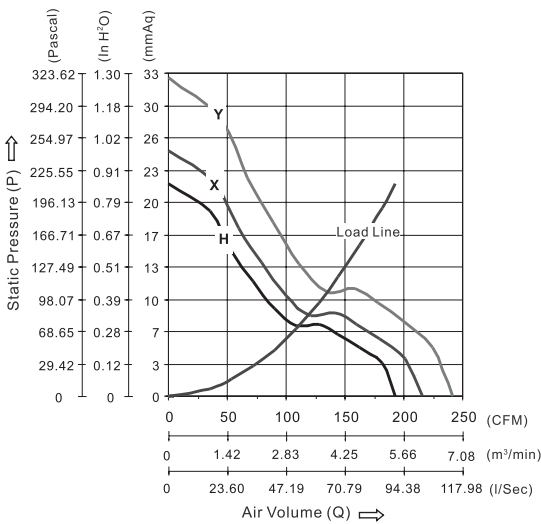


120 x 120 x 38 mm -7

Frame: Thermoplastic PBT (GF 30%), UL94-V0
 Impeller: Thermoplastic PBT (GF 15%), UL94-V0
 Bearing System: Ball Bearing or Sleeve Bearing
 Lead Wire: UL 1007, AWG 24 / 240 mm, Red (+), Black (-)
 Protection: Locked rotor protected for minimum 72 hours



PQ GRAPH (AT RATED VOLTAGE)



AVAILABLE FUNCTIONS

1a. IR	1b. AS	1c. MS	2a. FG	2b. RD	2c. RD _b	2d. LD	3. SG/PWM
●	●		●	●	●	●	
4. OV	5a. TPWM	5b. RPWM	6. CL	7. CS	8a. VPWM	8b. IPWM	8c. PPWM
●	●	●	●	●	●	●	●

Part Number	Voltage (VDC)	Current (Amp.)	Power (Watts)	Speed (RPM)	Air Flow (Q)		Pressure (P)		Noise (dBA)	Unit Weight (Q'TY/CTN)
					(CFM)	(m³/min)	(mmAq)	(In H ₂ O)		
K1238H12BPLBx-7	12 [07-14]	1.625	19.50	4700	185.00	5.239	21.80	0.858	57.78	313g (40pcs)
K1238Y24BPLBx-7	24 [15-27]	1.472	35.33	5800	230.00	6.513	32.90	1.295	65.02	313g (40pcs)
K1238X24BPLBx-7		1.000	24.00	5200	210.00	5.947	25.72	1.013	61.89	
K1238H24BPLBx-7		0.800	19.20	4700	185.00	5.239	21.80	0.858	57.78	
K1238Y48BPLBx-7	48 [30-57]	0.753	36.14	5800	230.00	6.513	32.90	1.295	65.02	313g (40pcs)
K1238X48BPLBx-7		0.502	24.10	5200	210.00	5.947	25.72	1.013	61.89	
K1238H48BPLBx-7		0.419	20.11	4700	185.00	5.239	21.80	0.858	57.78	

- All MICRONEL fans listed here refer to double ball bearing types; Sleeve bearing types may consume about 10% more power for the same speed.
- Noise Measurements are taken with background noise of 16.8 dBA.
- Please see «Function Legend» for explanation of each function.
- Specifications are subject to change without notice.