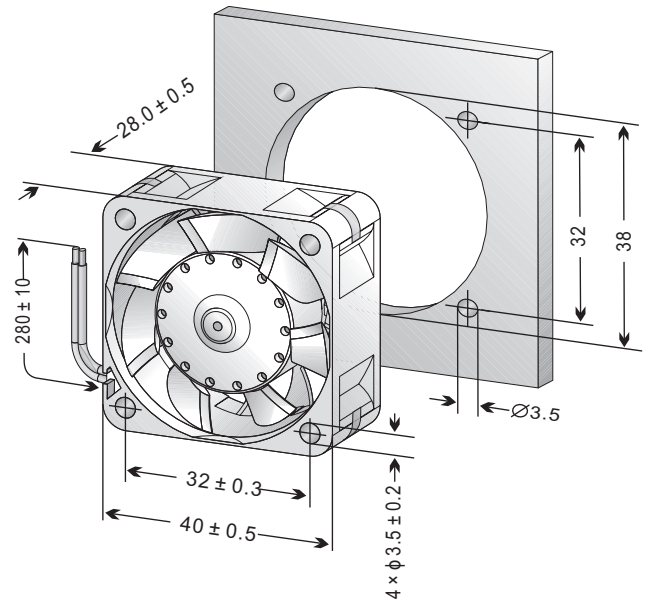


# D-SERIES

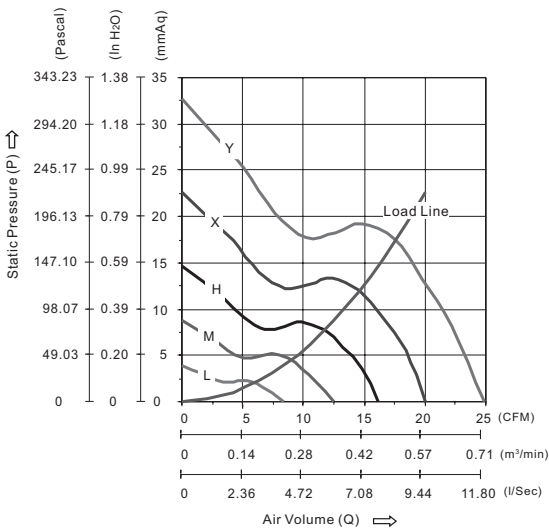


## 40 x 40 x 28 mm

Frame: Thermoplastic PBT (GF 30%), UL94-V0  
 Impeller: Thermoplastic PBT (GF 15%), UL94-V0  
 Bearing System: Ball Bearing or Sleeve Bearing  
 Lead Wire: UL 1007, AWG 26 / 280 mm, Red (+), Black (-)  
 Protection: Locked rotor protected for minimum 72 hours



### PQ GRAPH (AT RATED VOLTAGE)



### AVAILABLE FUNCTIONS

	1a. IR	1b. AS	1c. MS	2a. FG	2b. RD	2c. RDb	2d. LD	3. SG/PWM
12V		●		●	●	●		
24V		●	●	●	●	●		●
	4. OV	5a. TPWM	5b. RPWM	6. CL	7. CS	8a. VPWM	8b. IPWM	8c. PPWM
12V		●	●			●	●	●

Part Number	Voltage (VDC)	Current (Amp.)	Power (Watts)	Speed (RPM)	Air Flow (Q)		Pressure (P)		Noise (dBA)	Unit Weight (g/TY/CTN)
					(CFM)	(m³/min)	(mmAq)	(in H <sub>2</sub> O)		
* D4028Y12BPLBx-7	12 (07-14)	0.950	11.40	15000	24.84	0.703	32.79	1.291	61.07	49.0 g (360 pcs)
* D4028X12BPLBx-7		0.551	6.61	12500	20.08	0.569	22.65	0.892	55.47	
* D4028H12BPLBx-7		0.370	4.44	10000	16.15	0.457	14.64	0.576	49.20	
D4028M12BPLBx-7		0.168	2.02	7500	12.49	0.354	8.81	0.347	39.19	
D4028L12BPLBx-7		0.080	0.96	5000	8.32	0.236	3.91	0.154	32.45	
D4028Y24BPLBx-7	24 (15-27)	0.400	9.60	15000	24.84	0.703	32.79	1.291	61.07	49.0 g (360 pcs)
D4028X24BPLBx-7		0.250	6.00	12500	20.08	0.569	22.65	0.892	55.47	
D4028H24BPLBx-7		0.170	4.08	10000	16.15	0.457	14.64	0.576	49.20	
D4028M24BPLBx-7		0.100	2.40	7500	12.49	0.354	8.81	0.347	39.19	
D4028L24BPLBx-7		0.065	1.56	5000	8.32	0.236	3.91	0.154	32.45	

\* small quantities available ex stock

- All MICRONEL fans listed here refer to double ball bearing types; Sleeve bearing types may consume about 10% more power for the same speed.
- Noise Measurements are taken with background noise of 16.8 dBA.
- Please see «Function Legend» for explanation of each function.
- Specifications are subject to change without notice.