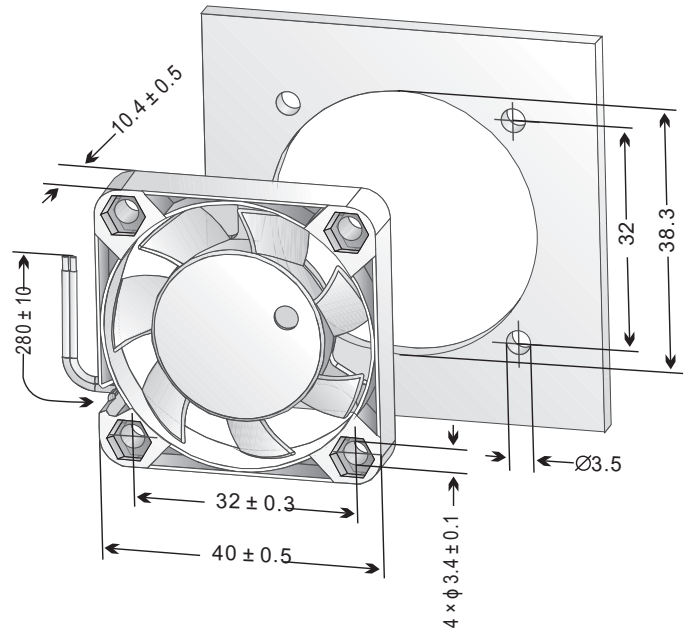
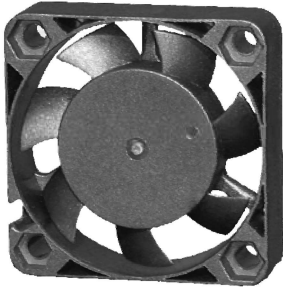


# C-SERIES

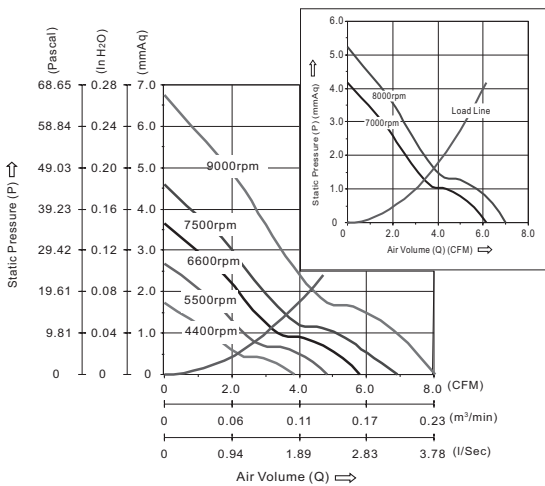


## 40 x 40 x 10 mm

Frame: Thermoplastic PBT (GF 30%), UL94-V0  
 Impeller: Thermoplastic PBT (GF 15%), UL94-V0  
 Bearing System: Ball Bearing or Sleeve Bearing  
 Lead Wire: UL 1007, AWG 26 / 280 mm, Red (+), Black (-)  
 Protection: Locked rotor protected for minimum 72 hours



### PQ GRAPH (AT RATED VOLTAGE)



### AVAILABLE FUNCTIONS

1a. IR	1b. AS	1c. MS	2a. FG	2b. RD	2c. RDb	2d. LD	3. SG/PWM
	●		●	●			
4. OV	5a. TPWM	5b. RPWM	6. CL	7. CS	8a. VPWM	8b. IPWM	8c. PPWM

Part Number	Voltage (VDC)	Current (Amp.)	Power (Watts)	Speed (RPM)	Air Flow (Q)		Pressure (P)		Noise (dBA)	Unit Weight (g/TY/CTN)
					(CFM)	(m³/min)	(mmAq)	(In H <sub>2</sub> O)		
C4010Y05BPLBx-7	05 (04-06)	0.300	1.50	9000	8.03	0.227	6.75	0.266	36.81	16.8 g (800 pcs)
C4010X05BPLBx-7		0.200	1.00	7500	6.91	0.196	4.60	0.181	32.07	
C4010H05BPLBx-7		0.130	0.65	6600	5.80	0.164	3.66	0.144	28.29	
C4010M05BPLBx-7		0.084	0.42	5500	4.82	0.136	2.69	0.106	24.17	
C4010L05BPLBx-7		0.070	0.35	4400	3.87	0.110	1.73	0.068	19.39	
C4010Y12BPLBx-7	12 (07-14)	0.119	1.42	9000	8.03	0.227	6.75	0.266	36.81	16.8 g (800 pcs)
C4010X12BPLBx-5		0.100	1.20	7500	6.91	0.196	4.60	0.181	32.07	
* C4010H12BPLBx-5		0.080	0.96	6600	5.80	0.164	3.66	0.144	28.29	
C4010M12BPLBx-5		0.044	0.53	5500	4.82	0.136	2.69	0.106	24.17	
C4010L12BPLBx-5		0.036	0.43	4400	3.87	0.110	1.73	0.068	19.39	
C4010H24BPLBx-7	24 (25-27)	0.060	1.54	9000	8.03	0.227	6.75	0.266	36.81	16.8 g (800 pcs)
C4010M24BPLBx-7		0.056	1.34	8000	6.95	0.197	5.29	0.208	34.97	
* C4010L24BPLBx-7		0.039	1.01	7000	6.13	0.174	4.22	0.166	30.44	

\* small quantities available ex stock

- All MICRONEL fans listed here refer to double ball bearing types; Sleeve bearing types may consume about 10% more power for the same speed.
- Noise Measurements are taken with background noise of 16.8 dBA.
- Please see «Function Legend» for explanation of each function.
- Specifications are subject to change without notice.