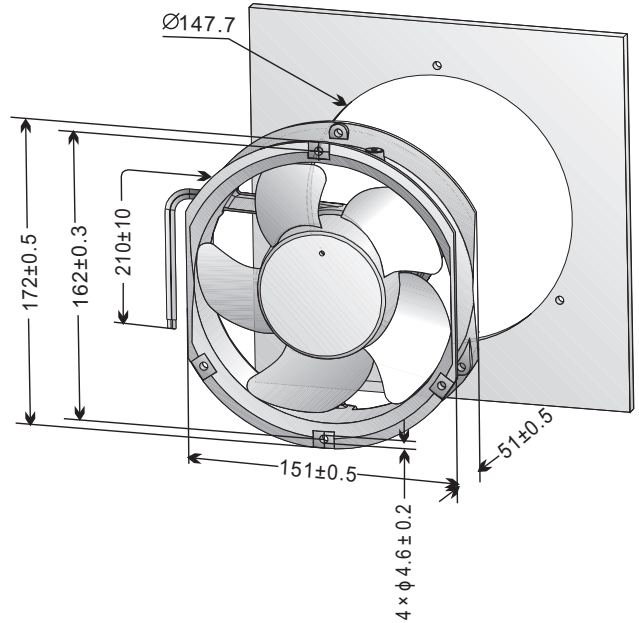
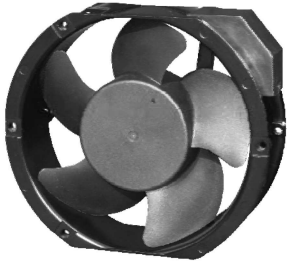


G-SERIES

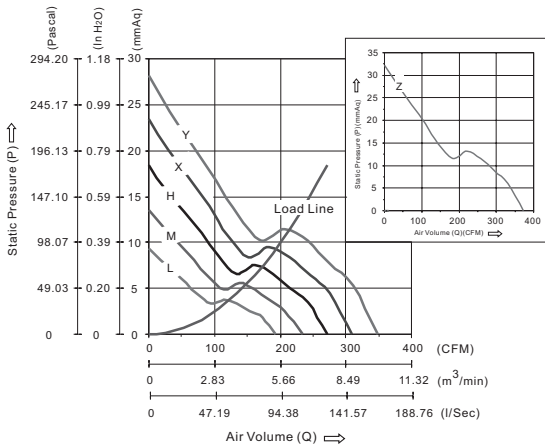


172 x 150 x 51 mm -5

Frame: Thermoplastic PBT (GF 30%), UL94-V0
 Impeller: Thermoplastic PBT (GF 15%), UL94-V0
 Bearing System: Ball Bearing or Sleeve Bearing
 Lead Wire: UL 1007, AWG 24 / 210 mm, Red (+), Black (-)
 Protection: Locked rotor protected for minimum 72 hours



PQ GRAPH (AT RATED VOLTAGE)



AVAILABLE FUNCTIONS

1a. IR	1b. AS	1c. MS	2a. FG	2b. RD	2c. RD _b	2d. LD	3. SG/PWM
●	●		●	●	●	●	
4. OV	5a. TPWM	5b. RPWM	6. CL	7. CS	8a. VPWM	8b. IPWM	8c. PPWM
●			●	●			

Part Number	Voltage (VDC)	Current (Amp.)	Power (Watts)	Speed (RPM)	Air Flow (Q)		Pressure (P)		Noise (dBA)	Unit Weight (g/TY/CTN)
					(CFM)	(m ³ /min)	(mmAq)	(In H ₂ O)		
G1751H12BALBx-5	12 (07-14)	1.508	18.09	3500	271.76	7.695	18.41	0.725	56.15	748 g (24 pcs)
G1751M12BALBx-5		0.949	11.39	3000	233.78	6.620	13.56	0.534	52.24	
G1751L12BALBx-5		0.554	6.65	2500	194.05	5.495	9.39	0.370	47.44	
G1751Z24BALBx-5	24 (15-27)	1.776	42.62	4800	372.75	10.555	32.30	1.272	65.63	748 g (24 pcs)
G1751Y24BALBx-5		1.493	35.82	4500	349.41	9.894	28.18	1.109	63.18	
G1751X24BALBx-5		1.034	24.82	4000	309.69	8.770	23.42	0.922	60.52	
G1751H24BALBx-5		0.712	17.08	3500	271.76	7.695	18.41	0.725	56.15	
G1751M24BALBx-5		0.448	10.76	3000	233.78	6.620	13.56	0.534	52.24	
G1751L24BALBx-5		0.259	6.22	2500	194.05	5.495	9.39	0.370	47.44	
G1751Z48BALBx-5	48 (30-57)	0.966	46.36	4800	372.75	10.555	32.30	1.272	65.63	748 g (24 pcs)
G1751Y48BALBx-5		0.743	35.67	4500	349.41	9.894	28.18	1.109	63.18	
G1751X48BALBx-5		0.526	25.25	4000	309.69	8.770	23.42	0.922	60.52	
G1751H48BALBx-5		0.389	18.67	3500	271.76	7.695	18.41	0.725	56.15	
G1751M48BALBx-5		0.244	11.73	3000	233.78	6.620	13.56	0.534	52.24	
G1751L48BALBx-5		0.142	6.79	2500	194.05	5.795	9.39	0.370	47.44	

- All MICRONEL fans listed here refer to double ball bearing types; Sleeve bearing types may consume about 10% more power for the same speed.
- Noise Measurements are taken with background noise of 16.8 dBA.
- Please see «Function Legend» for explanation of each function.
- Specifications are subject to change without notice.