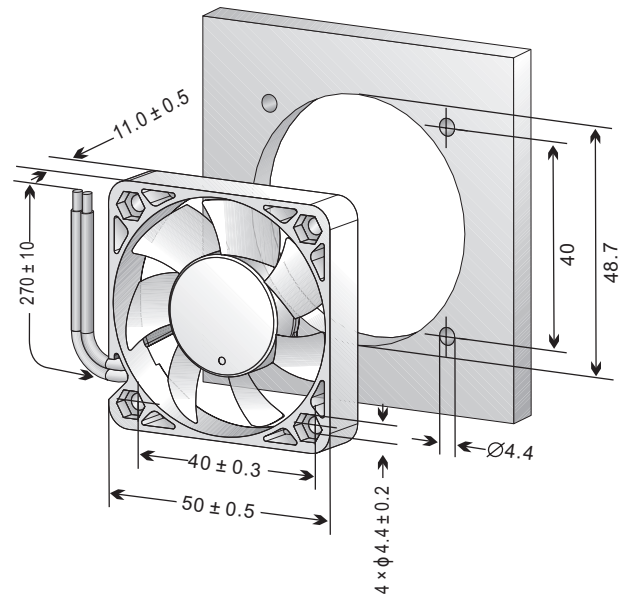


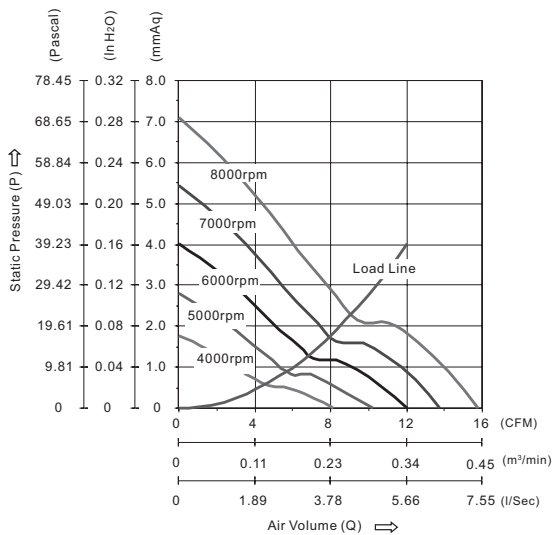
# C-SERIES

## 50 x 50 x 10 mm

Frame: Thermoplastic PBT (GF 30%), UL94-V0  
 Impeller: Thermoplastic PBT (GF 15%), UL94-V0  
 Bearing System: Ball Bearing or Sleeve Bearing  
 Lead Wire: UL 1007, AWG 26 / 270 mm, Red (+), Black (-)  
 Protection: Locked rotor protected for minimum 72 hours



### PQ GRAPH (AT RATED VOLTAGE)



### AVAILABLE FUNCTIONS

| 1a. IR | 1b. AS   | 1c. MS   | 2a. FG | 2b. RD | 2c. RDb  | 2d. LD   | 3. SG/PWM |
|--------|----------|----------|--------|--------|----------|----------|-----------|
|        | ●        |          | ●      | ●      | ●        |          |           |
| 4. OV  | 5a. TPWM | 5b. RPWM | 6. CL  | 7. CS  | 8a. VPWM | 8b. IPWM | 8c. PPWM  |
|        |          |          |        |        |          |          |           |

| Part Number       | Voltage (VDC) | Current (Amp.) | Power (Watts) | Speed (RPM) | Air Flow (Q) |                       | Pressure (P) |                       | Noise (dBA) | Unit Weight (g/TY/CTN) |
|-------------------|---------------|----------------|---------------|-------------|--------------|-----------------------|--------------|-----------------------|-------------|------------------------|
|                   |               |                |               |             | (CFM)        | (m <sup>3</sup> /min) | (mmAq)       | (In H <sub>2</sub> O) |             |                        |
| C5010H05BPLBx-7   | 05<br>(04-06) | 0.212          | 1.06          | 6000        | 12.02        | 0.340                 | 4.01         | 0.158                 | 33.15       | 20.6 g<br>(800 pcs)    |
| C5010M05BPLBx-7   |               | 0.136          | 0.68          | 5000        | 10.22        | 0.289                 | 2.79         | 0.110                 | 30.10       |                        |
| C5010L05BPLBx-7   |               | 0.086          | 0.43          | 4000        | 8.13         | 0.230                 | 1.78         | 0.070                 | 25.85       |                        |
| * C5010H12BPLBx-7 | 12<br>(07-14) | 0.121          | 1.46          | 6000        | 12.02        | 0.340                 | 4.01         | 0.158                 | 33.15       | 20.6 g<br>(800 pcs)    |
| C5010M12BPLBx-7   |               | 0.079          | 0.95          | 5000        | 10.22        | 0.289                 | 2.79         | 0.110                 | 30.10       |                        |
| C5010L12BPLBx-7   |               | 0.044          | 0.53          | 4000        | 8.13         | 0.230                 | 1.78         | 0.070                 | 25.85       |                        |
| C5010H24BPLBx-7   | 24<br>(15-27) | 0.103          | 2.47          | 8000        | 15.74        | 0.446                 | 7.09         | 0.279                 | 40.11       | 20.6 g<br>(800 pcs)    |
| C5010M24BPLBx-7   |               | 0.080          | 1.92          | 7000        | 13.77        | 0.390                 | 5.42         | 0.214                 | 36.65       |                        |
| C5010L24BPLBx-7   |               | 0.060          | 1.44          | 6000        | 12.02        | 0.340                 | 4.01         | 0.158                 | 33.15       |                        |

\* small quantities available ex stock

- All MICRONEL fans listed here refer to double ball bearing types; Sleeve bearing types may consume about 10% more power for the same speed.
- Noise Measurements are taken with background noise of 16.8 dBA.
- Please see «Function Legend» for explanation of each function.
- Specifications are subject to change without notice.