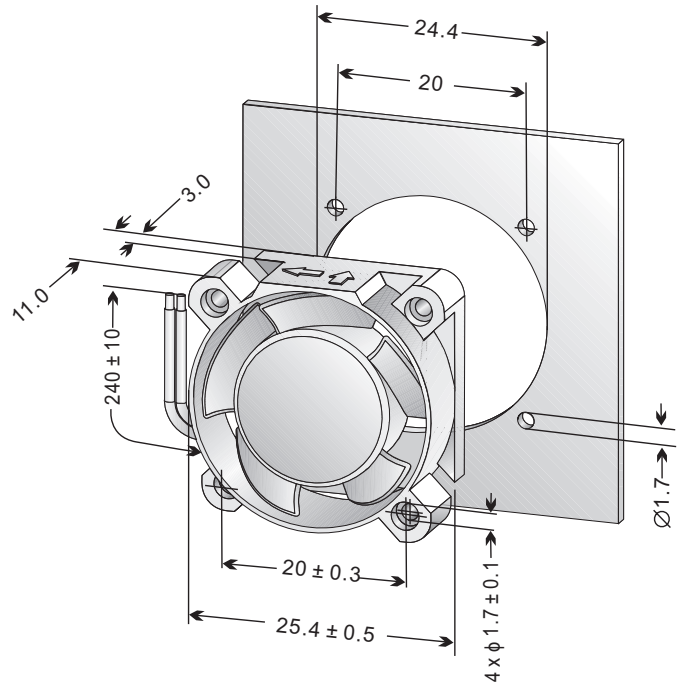


C-SERIES

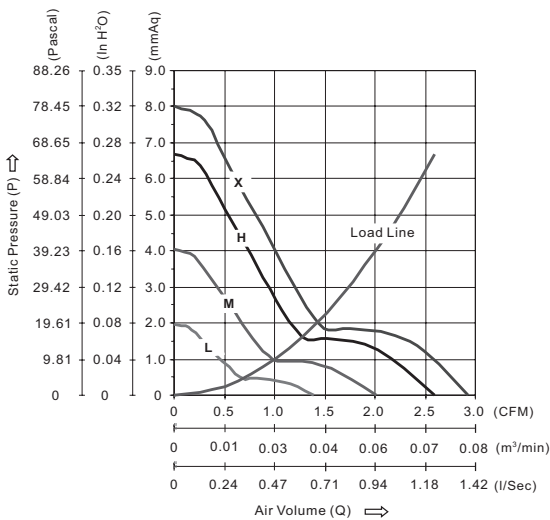


25 x 25 x 10 mm

Frame: Thermoplastic PBT (GF 30%), UL94-V0
 Impeller: Thermoplastic PBT (GF 15%), UL94-V0
 Bearing System: Ball Bearing or Sleeve Bearing
 Lead Wire: UL 1061, AWG 30 / 240 mm, Red (+), Black (-)
 Protection: Locked rotor protected for minimum 72 hours



PQ GRAPH (AT RATED VOLTAGE)



AVAILABLE FUNCTIONS

1a. IR	1b. AS	1c. MS	2a. FG	2b. RD	2c. RD _b	2d. LD	3. SG/PWM
	●		●				
4. OV	5a. TPWM	5b. RPWM	6. CL	7. CS	8a. VPWM	8b. IPWM	8c. PPWM

Part Number	Voltage (VDC)	Current (Amp.)	Power (Watts)	Speed (RPM)	Air Flow (Q)		Pressure (P)		Noise (dBA)	Unit Weight (g/CTN)
					(CFM)	(m ³ /min)	(mmAq)	(In H ₂ O)		
C2510X05BPLBx-5	05 (04-06)	0.230	1.15	15000	2.92	0.083	8.00	0.315	34.19	7.6 g (1080 pcs)
C2510H05BPLBx-5		0.175	0.87	13000	2.60	0.074	6.67	0.263	30.54	
C2510M05BPLBx-5		0.137	0.68	10000	2.02	0.057	4.05	0.159	24.21	
C2510L05BPLBx-5		0.110	0.55	7000	1.39	0.039	1.98	0.078	18.14	
C2510X12BPLBx-5	12 (07-14)	0.100	1.20	15000	2.92	0.083	8.00	0.315	34.19	7.6 g (1080 pcs)
* C2510H12BPLBx-5		0.075	0.90	13000	2.60	0.074	6.67	0.263	30.54	
C2510M12BPLBx-5		0.063	0.75	10000	2.02	0.057	4.05	0.159	24.21	
C2510L12BPLBx-5		0.033	0.39	7000	1.39	0.039	1.98	0.078	18.14	

* small quantities available ex stock

- All MICRONEL fans listed here refer to double ball bearing types; Sleeve bearing types may consume about 10% more power for the same speed.
- Noise Measurements are taken with background noise of 16.8 dBA.
- Please see «Function Legend» for explanation of each function.
- Specifications are subject to change without notice.