



# SMS2230

**Low-Cost Single-Die Multi-Standard MDTV Receiver**  
*For Mobile, Portable and PC DTV Applications*

The SMS2230 is Siano's high performance, low-cost, single-die, multi-standard MDTV receiver chip. As an advanced version of the company's SMS1130 and SMS1130-T receivers, offering improved performance and reducing the overall system cost. The SMS2230 supports ISDB-T 1-seg, DVB-T, DVB-H, T-DMB, DAB, DAB+ and DAB V.2 MDTV standards, as well FM stereo RDS, enabling a complete entertainment solution.

Siano's SMS2230 enables TV reception in a variety of handheld devices, such as mobile phones, cellular data-cards, notebooks, navigation devices, UMPCs, MIDs, PDAs, portable video and media players.

The SMS2230 single-die architecture and system oriented design approach enable integrating the functionality of several MDTV standards into portable and handheld devices at a reduced system cost and fast time to market.

The SMS2230 is complemented by Siano's Host-API software package that includes drivers and libraries for popular host processors and operating systems.

The input to the SMS2230 is the broadcasted RF signal received by the antenna. The output is a demodulated, selected channel stream. This data is fed into an application processor that is capable of video and audio decompression and rendering.

## Highlights

- Single-die, multi-standard MDTV receiver
- Pin-to-pin compatible with Siano's SMS2230
- Ultra low system cost
- FM stereo with RDS
- Extremely high sensitivity
- Very low power consumption
- Multiple interfaces

## Typical Applications

- Mobile phones
- PDAs & smart phones
- PMPs, PNDs & portable computers
- PC applications
- Mobile Internet Devices (MIDs)

## Target Markets

- Global

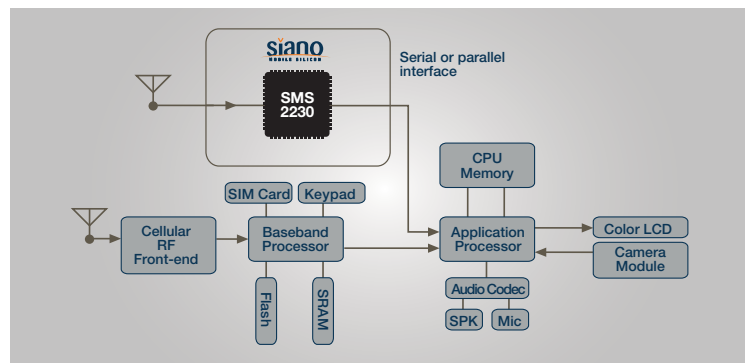


# SMS2230

Low-Cost Single-Die Multi-Standard MDTV Receiver  
Mobile, Portable and PC Applications

## Key Features

- No external active components
- Superior mobility algorithms
- On-chip PID and IP filtering
- USB 2.0 compliant
- RoHS compliant
- Pin-to-pin compatible with
  - SMS2270 (high performance, low-cost, multi-standard receiver)
- Complete MDTV receiver solution:
  - Device drivers
  - Middleware for popular host processors
  - Middleware for CPUs
- Certified USB device drivers:
  - Microsoft Windows XP (WHQL)
  - Microsoft Windows Vista (WHQL)
  - Microsoft Windows 7 (WHQL)
  - Linux
- 9mm x 9mm x 0.9mm  
116 pin BGA, 0.8mm pitch



Integration of SMS2230 into a Mobile Device

## Supported Standards

- ISDB-T
  - 1-Seg & 3-Seg
  - sb & mm
- DVB-T
- T-DMB, DAB, DAB+, DAB V.2
- FM Radio with RDS

## Supported Bands

- Low VHF/VHF (64 -240 MHz)  
UHF (470-862 MHz)

## Supported Interfaces

- USB 2.0 High Speed (HS)
- 2xSPI (Master/Slave)
- SDIO (Slave)
- Parallel Bus (Slave)
- Serial/parallel Transport Stream (TS)
- Serial (I<sup>2</sup>C-like) Control

Specifications are subject to change without prior notice.

The Siano name and logo are registered trademarks of Siano Mobile Silicon Ltd. Siano enabling TV EVERYWHERE is a trademark of Siano Mobile Silicon Ltd. All other trademarks are the property of their respective holders.



enabling TV EVERYWHERE®

**Siano China - Beijing**  
Bright China Chang An Building No. 7  
Tower 2, Suite 1123  
Jianguomen Neidajie, Beijing 100005  
People's Republic of China  
Tel: +86-10-5911-1616/1818  
Fax: +86-10-6517-1066

**Siano China - Shenzhen**  
Intn'l Science & Technology Building  
Room 712, 3007 Shennan Middle Road  
Futian District, Shenzhen 518033  
People's Republic of China  
Tel: +86-755-6165-1320/1321  
Fax: +86-755-6165-1310

**Siano China - Shanghai**  
Shanghai Industrial Building  
Room 11D  
No. 18, Cao Xi Bei Road  
Shanghai, 200030  
People's Republic of China  
Tel/Fax: +86-21-6427-7682

**Siano Taiwan**  
8F., No.10, Lane 360, Sec. 1  
Neihu Rd., Neihu District  
Taipei City 114, Taiwan  
Tel: +886-9-2204-2815  
Fax: +886-2-2219-7491

**Siano Korea**  
#528, Metrokhan  
1115, Dalan-dong  
Dongan-Gu, Anyang-City  
Gyeonggi-do, Korea  
Tel: +82-31-388-2556  
Fax: +82-31-388-2557

BnS Technologies Co., Ltd.  
Tel: +82-31-441-3400  
Fax: +82-31-442-1700

**Siano Brazil**  
Rua Joaquim Candido 1121  
Morumbi, São Paulo  
SP-05688-021  
Brazil  
Tel: +55-11-3739-0187

**Siano North America**  
3010 LBJ Freeway, Suite 1200  
Dallas, Texas, TX 75234  
USA  
Tel: +1-972-919-6121  
Fax: +1-972-919-6138

**Siano EMEA**  
Delta Building  
Kfar-Netter 40593  
P.O.B. 8684  
Netanya 42504, Israel  
Tel: +972-9-865 6993  
Fax: +972-9-865 6994

Email: [siano@siano-ms.com](mailto:siano@siano-ms.com)  
[www.siano-ms.com](http://www.siano-ms.com)