

Harvatek Surface Mount LED Data Sheet T1A63DND-A5P000111

Official Product	HT Part No. T1A63DND-A5P000112		
Tentative Product	*****	*****	*****
Specifications are subject to changes for improvement without advance notice. Proprietary data, drawings, company confidential all rights reserved.		01/10/2014	Version 1.0
			Page 1/19

DISCLAIMER	3
LIFE SUPPORT POLICY	3
PRODUCT SPECIFICATIONS	4
ATTENTION: ELECTROSTATIC DISCHARGE (ESD) PROTECTION	4
LABEL SPECIFICATIONS	5
SPECIFICATIONS RANGE	6
PRODUCT FEATURES	10
ELECTRO-OPTICAL CHARACTERISTICS	10
PACKAGE OUTLINE DIMENSION AND RECOMMENDED SOLDERING PATTERN FOR REFLOW	
SOLDERING	10
ABSOLUTE MAXIMUM RATINGS	11
CHARACTERISTICS OF T1A63DND	12
PRECAUTION FOR USE	13
PACKAGING	14
TAPE DIMENSION	14
REEL DIMENSION	15
PACKING	15
DRY PACK	16
BAKING	16
PRECAUTIONS	16
HANDLING OF SILICONE RESIN LEDS	17
REFLOW SOLDERING	18
REWORKING	18
CLEANING	18
CAUTIONS OF PICK AND PLACE	19
REVISE HISTORY	19

Official Product	HT Part No. T1A63DND-A5P000112		
Tentative Product	*****	*****	
Specifications are subject to changes for improvement without advance notice. Proprietary data, drawings, company confidential all rights reserved.		01/10/2014	Version 1.0 Page 2/19

DISCLAIMER

HARVATEK reserves the right to make changes without further notice to any products herein to improve reliability, function or design. HARVATEK does not assume any liability arising out of the application or use of any product or circuit described herein; neither does it convey any license under its patent rights, nor the rights of others.

Life Support Policy

HARVATEK's products are not authorized for use as critical components in life support devices or systems without the express written approval of the President of HARVATEK or HARVATEK INTERNATIONAL. As used herein:

1. Life support devices or systems are devices or systems which, (a) are intended for surgical implant into the body, or (b) support or sustain life, and (c) whose failure to perform when properly used in accordance with instructions for use provided in the labeling, can be reasonably expected to result in a significant injury of the user.
2. A critical component in any component of a life support device or system whose failure to perform can be reasonably expected to cause the failure of the life support device or system, or to affect its safety or effectiveness.

Official Product	HT Part No. T1A63DND-A5P000112		
Tentative Product	*****	*****	*****
Specifications are subject to changes for improvement without advance notice. Proprietary data, drawings, company confidential all rights reserved.		01/10/2014	Version 1.0 Page 3/19

Product Specifications

Item	Specification	Material	Quantity
IV	Min 76.6 lm @300mA / T _s = 25°C;Tolerance: ± 10%		
Chromaticity Coordinate	As page 6~8 @300mA/ T _s = 25°C;Tolerance: ± 0.005		
Vf	2.9-3.7 V (0.1V/Bin) @300mA/ T _s = 25°C;Tolerance: ± 0.05V		
Resin	Yellow	Silicon Resin	
CRI	CRI>80, Tolerance± 2		
Carrier tape	EIA 481-1A specs	Conductive black tape	
Reel	EIA 481-1A specs	Conductive black	
Label	HT standard	Paper	
Packing bag	220x240mm	Aluminum laminated bag/ no-zipper	One reel per bag
Carton	HT standard	Paper	Non-specified

Others:

Each immediate box consists of 5 reels. The 5 reels may not necessarily have the same lot number or the same bin combinations of Iv, CIE and Vf. Each reel has a label identifying its specification; the immediate box consists of a product label as well.

Note :This is shipped test conditions

※Remarks: This product should be operated in forward bias. If a reverse voltage is continuously applied to the product, such operation can cause migration resulting in LED damage.

ATTENTION: Electrostatic Discharge (ESD) protection

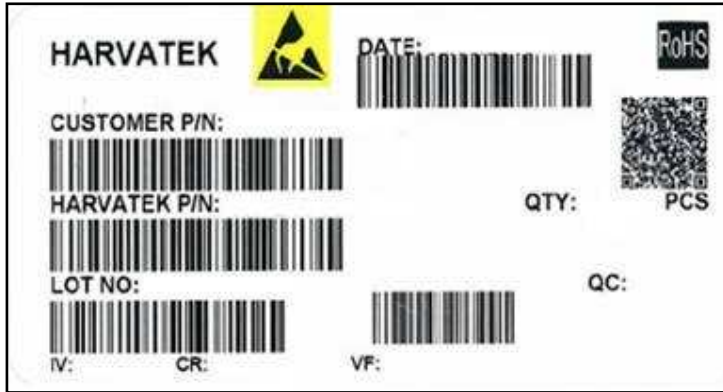


The symbol to the left denotes that ESD precaution is needed. ESD protection for GaP and AlGaAs based chips is necessary even though they are relatively safe in the presence of low static-electric discharge. Parts built with AlInGaP, GaN, or/and InGaN based chips are **STATIC SENSITIVE devices**. ESD precaution must be taken during design and assembly.

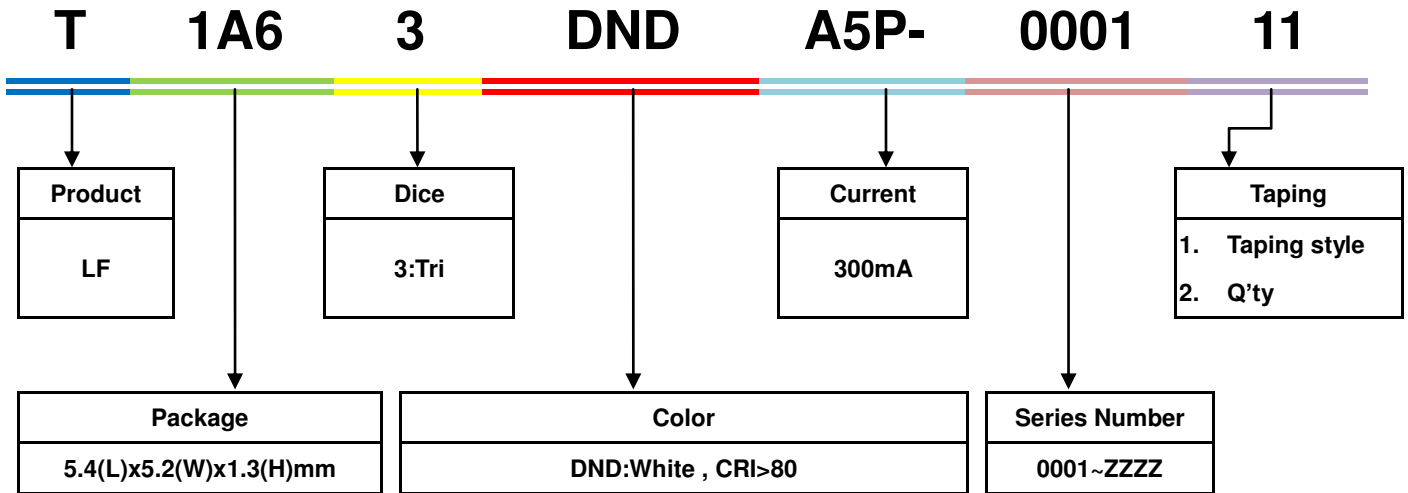
If manual work or processing is needed, please ensure the device is adequately protected from ESD during the process.

Official Product	HT Part No. T1A63DND-A5P000112		
Tentative Product	*****	*****	
Specifications are subject to changes for improvement without advance notice. Proprietary data, drawings, company confidential all rights reserved.	01/10/2014	Version 1.0	Page 4/19

Label Specifications



Harvatek P/N:



Lot No.:

1	2	3	4	5	6	7	8	9	10
E	1	A	1	A	2	2	L	1	2
Code 1 2		Code 3	Code 4	Code 5	Code 6	Code 7	Code 8	Code 9	Code 10
		Mfg. Year	Mfg. Month	Mfg. Date	Consecutive number		Special code		
Internal Tracing Code		2010-A 2011-B 2012-C 2013-D . .	1:Jan. 2:Feb. A:Oct. B:Nov. C:Dec.	1:A	01~ZZ		000~ZZZ		
				2:B					
				3:C					
				...					
				26:Z					
				27:7					
				28:8					
				29:9					
				30:3					
				31:4					

Official Product	HT Part No. T1A63DND-A5P000112		
Tentative Product	*****	*****	
Specifications are subject to changes for improvement without advance notice. Proprietary data, drawings, company confidential all rights reserved.		01/10/2014	Version 1.0 Page 5/19

Specifications Range

■ (Iv) Bin:

Color	Bin Code	Spec. Range(mcd)
White	PT2	76.6-87.4 mcd
	PU1	87.4-99.6 mcd
	PU2	99.6-113.6 mcd
	PV1	113.6-129.5 mcd

Note: It maintains a tolerance of $\pm 10\%$ on IV

Official Product	HT Part No. T1A63DND-A5P000112		
Tentative Product	*****	*****	*****
Specifications are subject to changes for improvement without advance notice. Proprietary data, drawings, company confidential all rights reserved.		01/10/2014	Version 1.0 Page 6/19

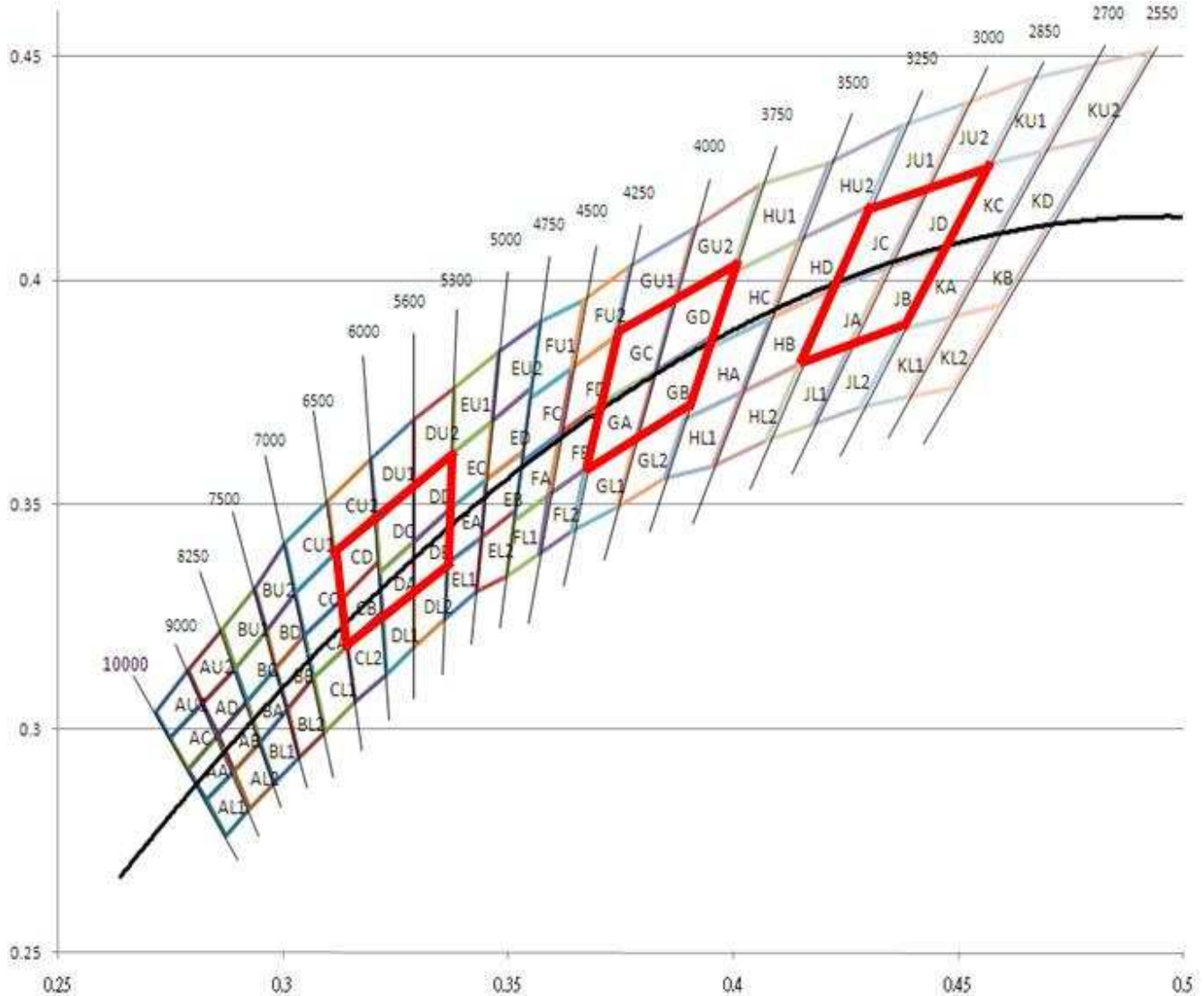
Color Bin:

AA	0.283	0.284	BA	0.295	0.297	CA	0.3068	0.3113	DA	0.3222	0.3243	EA	0.3366	0.3369
	0.279	0.291		0.292	0.306		0.3048	0.3207		0.3215	0.335		0.3371	0.349
	0.2855	0.2985		0.2984	0.3133		0.313	0.329		0.329	0.3417		0.3451	0.3554
	0.289	0.2905		0.3009	0.3042		0.3144	0.3186		0.329	0.33		0.344	0.3427
AB	0.283	0.284	BB	0.295	0.297	CB	0.3068	0.3113	DB	0.3222	0.3243	EB	0.3366	0.3369
	0.289	0.2905		0.3009	0.3042		0.3144	0.3186		0.329	0.33		0.344	0.3427
	0.2855	0.2985		0.2984	0.3133		0.313	0.329		0.329	0.3417		0.3451	0.3554
	0.292	0.306		0.3048	0.3207		0.3213	0.3373		0.3371	0.349		0.3533	0.362
AC	0.295	0.297	BC	0.3068	0.3113	CC	0.3221	0.3261	DC	0.3366	0.3369	EC	0.3515	0.3487
	0.289	0.2905		0.3009	0.3042		0.3144	0.3186		0.329	0.33		0.344	0.3427
	0.279	0.291		0.292	0.306		0.3048	0.3207		0.3215	0.335		0.3371	0.349
	0.275	0.298		0.2895	0.3135		0.3208	0.3304		0.3207	0.3462		0.3376	0.3616
AD	0.28225	0.30575	BD	0.2962	0.322	CD	0.3115	0.3391	DD	0.329	0.3538	ED	0.3463	0.3687
	0.2855	0.2985		0.2984	0.3133		0.313	0.329		0.329	0.3417		0.3451	0.3554
	0.279	0.291		0.292	0.306		0.3048	0.3207		0.3215	0.335		0.3371	0.349
	0.2855	0.2985		0.2984	0.3133		0.313	0.329		0.329	0.3417		0.3451	0.3554
AL1	0.28225	0.30575	BL1	0.2962	0.322	CL1	0.3115	0.3391	DL1	0.329	0.3538	EL1	0.3463	0.3687
	0.2895	0.3135		0.3028	0.3304		0.3205	0.3481		0.3376	0.3616		0.3551	0.376
	0.292	0.306		0.3048	0.3207		0.3213	0.3373		0.3371	0.349		0.3533	0.362
	0.2855	0.2985		0.2984	0.3133		0.313	0.329		0.329	0.3417		0.3451	0.3554
AL2	0.2874	0.276	BL2	0.298	0.288	CL2	0.3093	0.2993	DL2	0.3231	0.312	EL2	0.3361	0.3245
	0.283	0.284		0.295	0.297		0.3068	0.3113		0.3222	0.3243		0.3366	0.3369
	0.289	0.2905		0.3009	0.3042		0.3144	0.3186		0.329	0.33		0.344	0.3428
	0.2925	0.282		0.3037	0.2937		0.3161	0.3059		0.329	0.318		0.3429	0.3307
AU1	0.2874	0.276	BU1	0.298	0.288	CU1	0.3093	0.2993	DU1	0.3231	0.312	EU1	0.3361	0.3245
	0.2925	0.282		0.298	0.288		0.3068	0.3113		0.3222	0.3243		0.3366	0.3369
	0.289	0.2905		0.3009	0.3042		0.3144	0.3186		0.329	0.33		0.344	0.3428
	0.2925	0.282		0.3037	0.2937		0.3161	0.3059		0.329	0.318		0.3429	0.3307
AU2	0.2925	0.282	BU2	0.3009	0.2993	CU2	0.3161	0.3059	DU2	0.329	0.318	EU2	0.3366	0.3369
	0.289	0.2905		0.3009	0.3042		0.3144	0.3186		0.329	0.33		0.344	0.3428
	0.295	0.297		0.3068	0.3113		0.3221	0.3261		0.3366	0.3369		0.3515	0.3487
	0.298	0.288		0.3093	0.2993		0.3231	0.312		0.3361	0.3245		0.3429	0.3307

FA	0.3512	0.3465	GA	0.367	0.3578	HA	0.3889	0.369	JA	0.4147	0.3814	KA	0.4373	0.3893
	0.353	0.3597		0.3702	0.3722		0.3941	0.3848		0.4221	0.3984		0.4465	0.4071
	0.3615	0.3659		0.3825	0.3798		0.408	0.3916		0.4342	0.4028		0.4582	0.4099
	0.359	0.3521		0.3783	0.3646		0.4017	0.3751		0.4259	0.3853		0.4483	0.3919
FB	0.3512	0.3465	GB	0.367	0.3578	HB	0.3889	0.369	JB	0.4147	0.3814	KB	0.4373	0.3893
	0.359	0.3521		0.3783	0.3646		0.4017	0.3751		0.4259	0.3853		0.4483	0.3919
	0.3615	0.3659		0.3825	0.3798		0.408	0.3916		0.4342	0.4028		0.4582	0.4099
	0.3702	0.3722		0.395	0.3875		0.4221	0.3984		0.4465	0.4071		0.47	0.4126
FC	0.367	0.3578	GC	0.3898	0.3716	HC	0.4147	0.3814	JC	0.4373	0.3893	KC	0.4593	0.3944
	0.359	0.3521		0.3783	0.3646		0.4017	0.3751		0.4259	0.3853		0.4483	0.3919
	0.353	0.3597		0.3702	0.3722		0.3941	0.3848		0.4221	0.3984		0.4465	0.4071
	0.3548	0.3736		0.3736	0.3874		0.3996	0.4015		0.4299	0.4165		0.4562	0.426
FD	0.3641	0.3804	GD	0.3869	0.3958	HD	0.4146	0.4089	JD	0.443	0.4212	KD	0.4687	0.4289
	0.3615	0.3659		0.3825	0.3798		0.408	0.3916		0.4342	0.4028		0.4582	0.4099
	0.353	0.3597		0.3702	0.3722		0.3941	0.3848		0.4221	0.3984		0.4465	0.4071
	0.3615	0.3659		0.3825	0.3798		0.408	0.3916		0.4342	0.4028		0.4582	0.4099
FL1	0.3641	0.3804	GL1	0.3869	0.3958	HL1	0.4146	0.4089	JL1	0.443	0.4212	KL1	0.4687	0.4289
	0.3615	0.3659		0.3825	0.3798		0.408	0.3916		0.4342	0.4028		0.4582	0.4099
	0.353	0.3597		0.3702	0.3722		0.3941	0.3848		0.4221	0.3984		0.4465	0.4071
	0.3615	0.3659		0.3825	0.3798		0.408	0.3916		0.4342	0.4028		0.4582	0.4099
FL2	0.3495	0.3339	GL2	0.364	0.344	HL2	0.3846	0.3557	JL2	0.4073	0.3644	KL2	0.4281	0.3715
	0.3512	0.3465		0.367	0.3578		0.3889	0.369		0.4147	0.3814		0.4373	0.3893
	0.359	0.3521		0.3783	0.3646		0.4017	0.3751		0.4259	0.3853		0.4483	0.3919
	0.3567	0.3389		0.3741	0.3494		0.3954	0.3586		0.4176	0.3678		0.4384	0.3739
FU1	0.3495	0.3339	GU1	0.364	0.344	HU1	0.3846	0.3557	JU1	0.4073	0.3644	KU1	0.4281	0.3715
	0.3512	0.3465		0.367	0.3578		0.3889	0.369		0.4147	0.3814		0.4373	0.3893
	0.359	0.3521		0.3783	0.3646		0.4017	0.3751		0.4259	0.3853		0.4483	0.3919
	0.3567	0.3389		0.3741	0.3494		0.3954	0.3586		0.4176	0.3678		0.4384	0.3739
FU2	0.3495	0.3339	GU2	0.364	0.344	HU2	0.3846	0.3557	JU2	0.4073	0.3644	KU2	0.4281	0.3715
	0.3512	0.3465		0.367	0.3578		0.3889	0.369		0.4147	0.3814		0.4373	0.3893
	0.359	0.3521		0.3783	0.3646		0.4017	0.3751		0.4259	0.3853		0.4483	0.3919
	0.3567	0.3389		0.3741	0.3494		0.3954	0.3586		0.4176	0.3678		0.4384	0.3739

Official Product	HT Part No. T1A63DND-A5P000112			
Tentative Product	*****		*****	
Specifications are subject to changes for improvement without advance notice. Proprietary data, drawings, company confidential all rights reserved.			01/10/2014	Version 1.0
			Page 7/19	

Chromaticity Coordinate



Note: It maintains a tolerance of x, y ± 0.005

Official Product	HT Part No. T1A63DND-A5P000112		
Tentative Product	*****	*****	*****
Specifications are subject to changes for improvement without advance notice. Proprietary data, drawings, company confidential all rights reserved.		01/10/2014	Version 1.0 Page 8/19

■ Forward Voltage (Vf) Bin:

Color	Bin Code	Spec. Range
White	H2	2.9-3.0V
	H3	3.0-3.1V
	H4	3.1-3.2V
	J1	3.2-3.3V
	J2	3.3-3.4V
	J3	3.4-3.5V
	J4	3.5-3.6V
	K1	3.6-3.7V

Note: It maintains a tolerance of $\pm 0.05V$ on forward voltage measurements

Official Product	HT Part No. T1A63DND-A5P000112		
Tentative Product	*****	*****	*****
Specifications are subject to changes for improvement without advance notice. Proprietary data, drawings, company confidential all rights reserved.		01/10/2014	Version 1.0 Page 9/19

Product Features

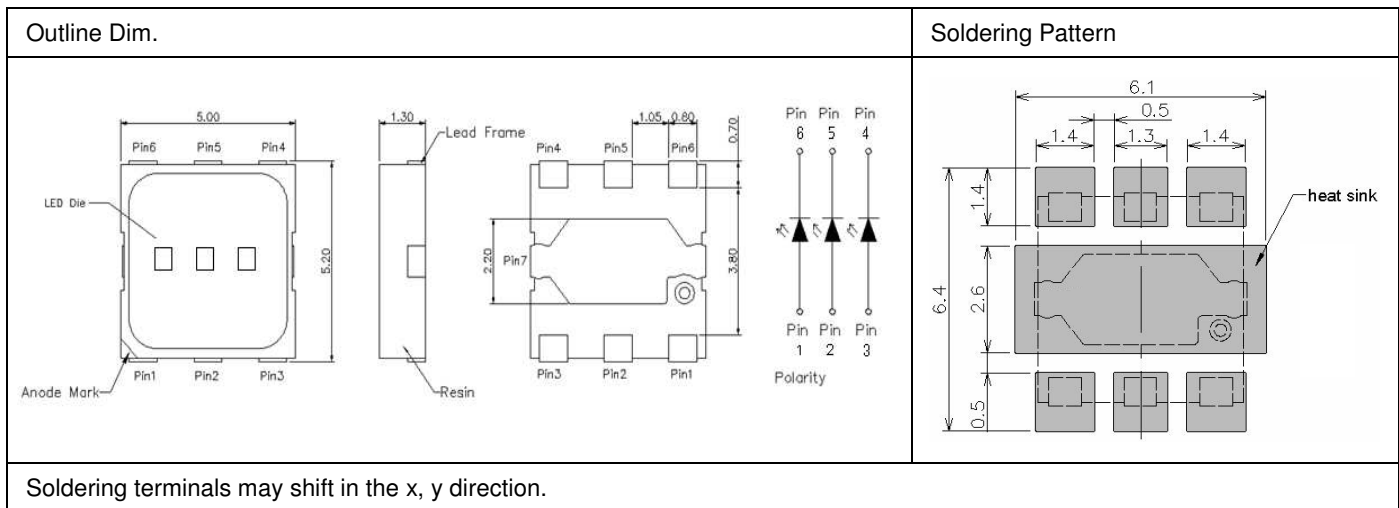
Electro-Optical Characteristics

Series	Emitting Color	Material	V _F (V)		Chromaticity Coordinate x,y	I _v (lm) Typical	Viewing Angle 2θ _{1/2}
			typ	max			
T1A63	Cold White	InGaN	3.2	3.4	x=0.345,y=0.35	105	120
T1A63	Neutral White	InGaN	3.2	3.4	x=0.38,y=0.38	100	120
T1A63	Warm White	InGaN	3.2	3.4	x=0.435,y=0.405	95	120

T_{Soldering} , 25 °C)

Package Outline Dimension and Recommended Soldering Pattern for Reflow Soldering

Unit: mm Tolerance: +/-0.1



Official Product	HT Part No. T1A63DND-A5P000112		
Tentative Product	*****	*****	*****
Specifications are subject to changes for improvement without advance notice. Proprietary data, drawings, company confidential all rights reserved.	01/10/2014	Version 1.0	Page 10/19

Absolute Maximum Ratings

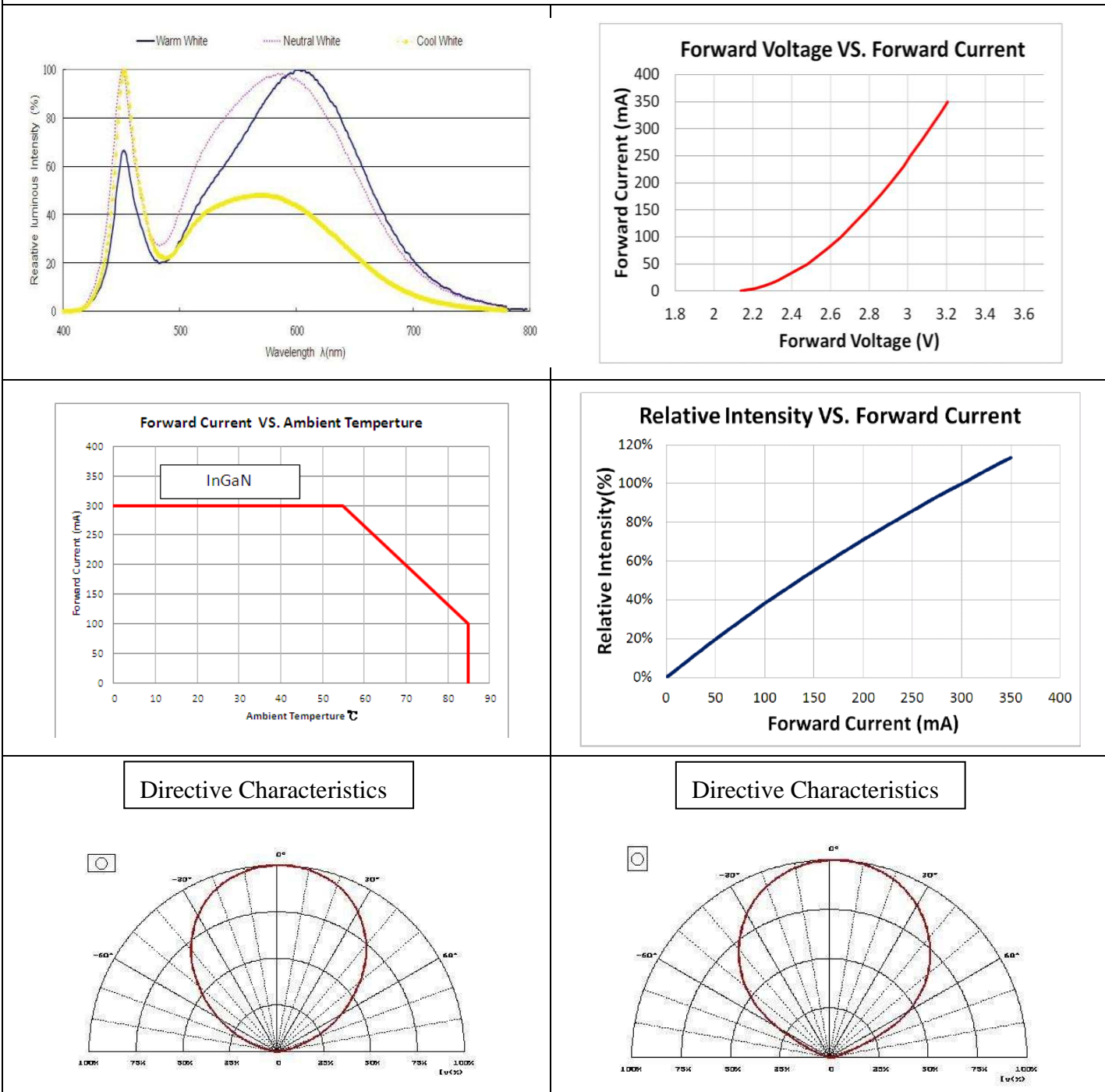
(T_{Soldering} 25 °C)

Series	P _D (mW)	I _F (mA)	I _{FP} (mA)*	T _{OP} (°C)	T _{ST} (°C)
Color	Power Dissipation	Forward Current	Peak Forward Current	Operating Temperature	Storage Temperature
Cold White	1110	300	500	-40~+85	-40~+100
Neutral White	1110	300	500	-40~+85	-40~+100
Warm White	1110	300	500	-40~+85	-40~+100

* Condition for I_{FP} is pulse of 1/10 duty and 0.1msec width

Official Product	HT Part No. T1A63DND-A5P000112		
Tentative Product	*****	*****	*****
Specifications are subject to changes for improvement without advance notice. Proprietary data, drawings, company confidential all rights reserved.		01/10/2014	Version 1.0 Page 11/19

Characteristics of T1A63DND



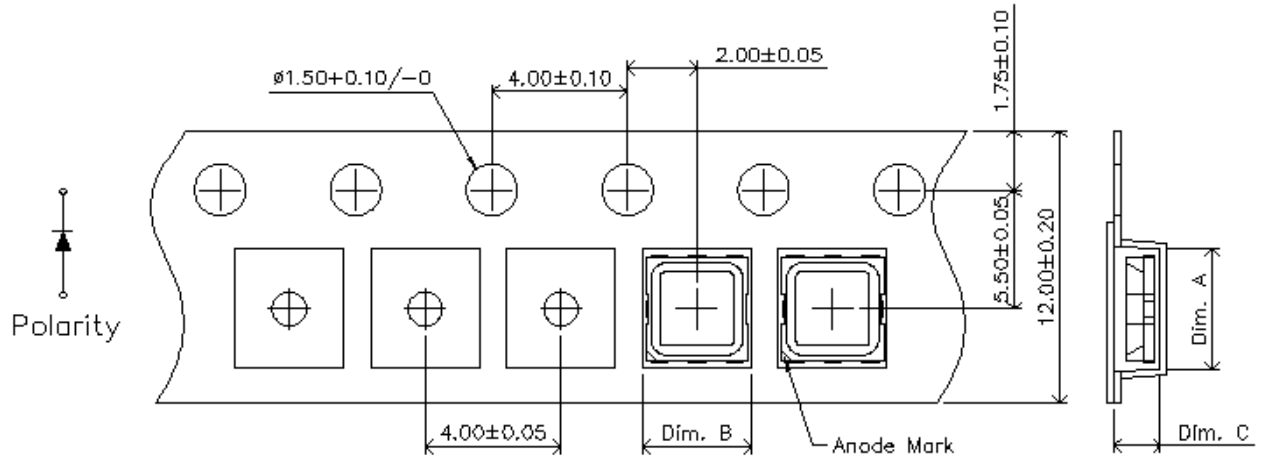
Official Product	HT Part No. T1A63DND-A5P000112		
Tentative Product	*****	*****	*****
Specifications are subject to changes for improvement without advance notice. Proprietary data, drawings, company confidential all rights reserved.	01/10/2014	Version 1.0	Page 12/19

Precaution for Use

1. The chips should not be used directly in any type of fluid such as water, oil, organic solvent, etc.
2. When the LEDs are illuminating, the maximum ambient temperature should be first considered before operation.
3. LEDs must be stored in a clean environment. A sealed container with a nitrogen atmosphere is necessary if the storage period is over 3 months after shipping.
4. The LEDs must be used within 72 hours after unpacked. Unused products must be repacked in an anti-electrostatic package, folded to close any opening and then stored in a dry and cool space.
5. The appearance and specifications of the products may be modified for improvement without further notice.
6. The LEDs are sensitive to the static electricity and surge. It is strongly recommended to use a grounded wrist band and anti-electrostatic glove when handling the LEDs. If a voltage over the absolute maximum rating is applied to LEDs, it will damage LEDs. Damaged LEDs will show some abnormal characteristics such as remarkable increase of leak current, lower turn-on voltage and getting unlit at low current.

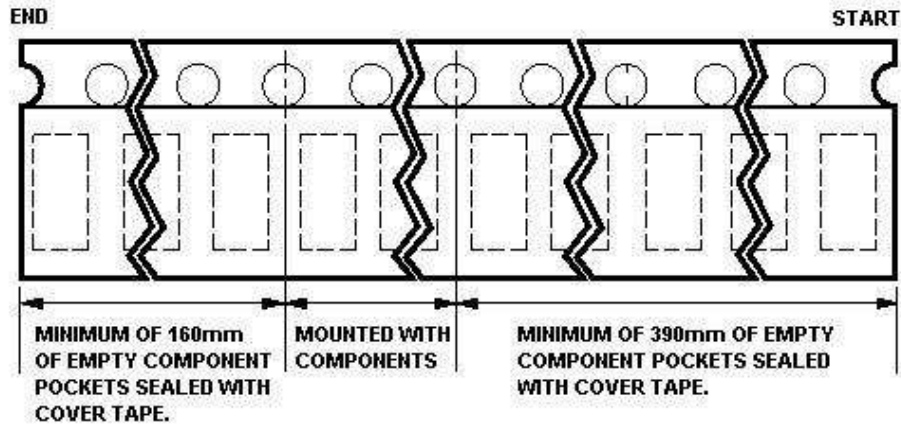
Official Product	HT Part No. T1A63DND-A5P000112		
Tentative Product	*****	*****	*****
Specifications are subject to changes for improvement without advance notice. Proprietary data, drawings, company confidential all rights reserved.		01/10/2014	Version 1.0 Page 13/19

Packaging Tape Dimension



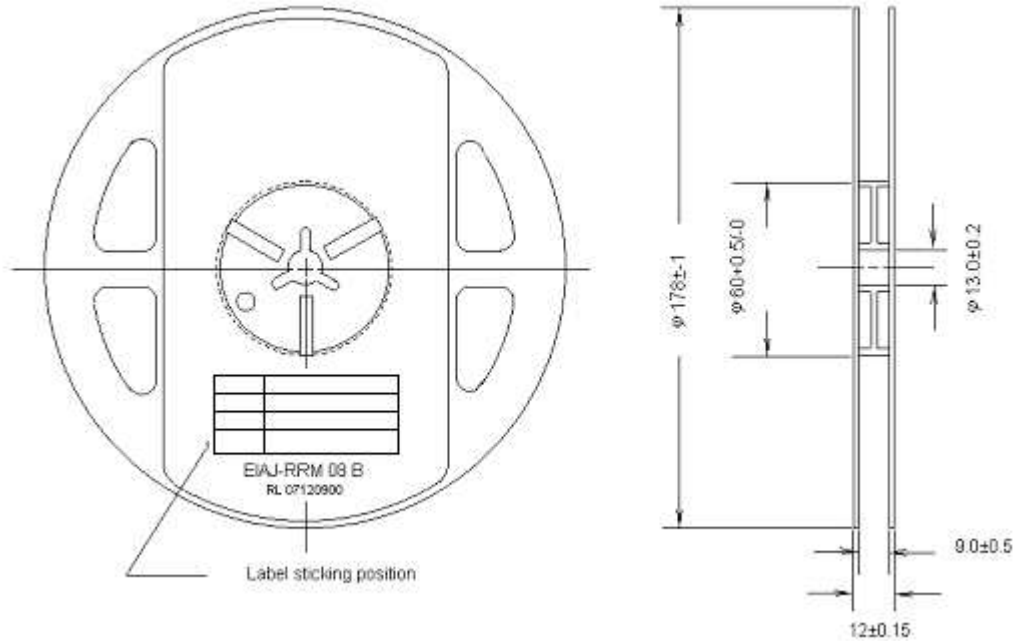
Dim. A	Dim. B	Dim. C	Q'ty/Reel
5.4±0.1	5.3±0.1	1.5±0.1	1K

Unit: mm

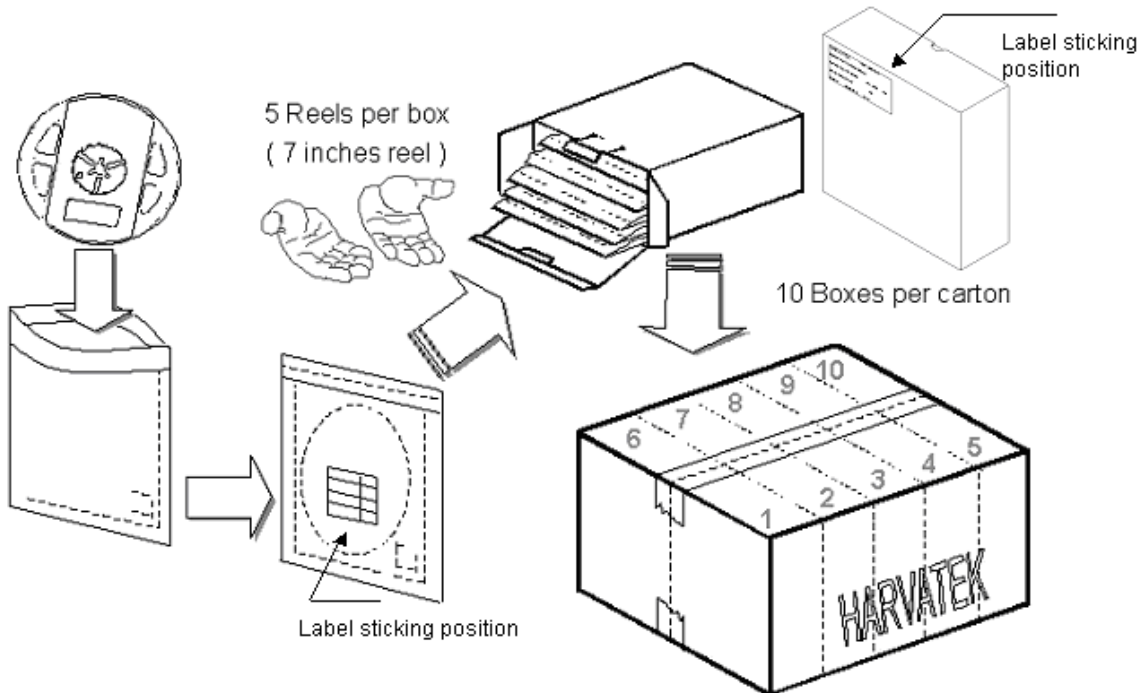


Official Product	HT Part No. T1A63DND-A5P000112		
Tentative Product	*****	*****	
Specifications are subject to changes for improvement without advance notice. Proprietary data, drawings, company confidential all rights reserved.		01/10/2014	Version 1.0 Page 14/19

Reel Dimension



Packing



5 boxes per carton is available depending on shipment quantity.

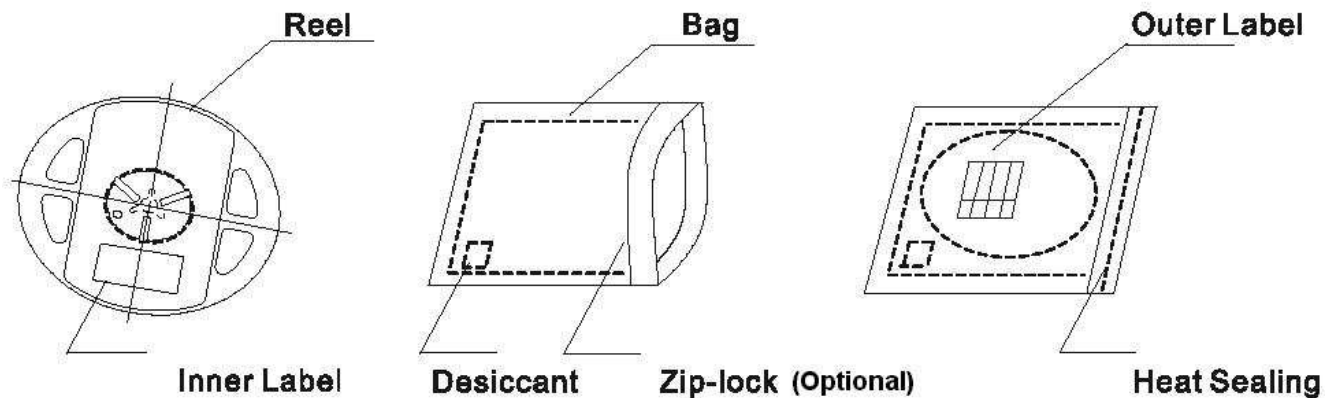
Official Product	HT Part No. T1A63DND-A5P000112		
Tentative Product	*****	*****	*****
Specifications are subject to changes for improvement without advance notice. Proprietary data, drawings, company confidential all rights reserved.		01/10/2014	Version 1.0 Page 15/19

Dry Pack

All SMD optical devices are **MOISTURE SENSITIVE**. Avoid exposure to moisture at all times during transportation or storage. Every reel is packaged in a moisture protected anti-static bag. Each bag is properly sealed prior to shipment.

Upon request, a humidity indicator will be included in the moisture protected anti-static bag prior to shipment.

The packaging sequence is as follows:



Baking

Baking before soldering is recommended when the package has been unsealed for 72 hours.

The conditions are as followings:

1. $60\pm 3^{\circ}\text{C} \times (12\sim 24\text{hrs})$ and $< 5\% \text{RH}$, taped reel type.
2. $100\pm 3^{\circ}\text{C} \times (45\text{min}\sim 1\text{hr})$, bulk type.
3. $130\pm 3^{\circ}\text{C} \times (15\text{min}\sim 30\text{min})$, bulk type.

Precautions

1. Avoid exposure to moisture at all times during transportation or storage.
2. Anti-Static precaution must be taken when handling GaN, InGaN, and AlInGaP products.
3. It is suggested to connect the unit with a current limiting resistor of the proper size. Avoid applying a reverse voltage beyond the specified limit.
4. Avoid operation beyond the limits as specified by the absolute maximum ratings.
5. Avoid direct contact with the surface through which the LED emits light.
6. If possible, assemble the unit in a clean room or dust-free environment.

Official Product	HT Part No. T1A63DND-A5P000112		
Tentative Product	*****	*****	*****
Specifications are subject to changes for improvement without advance notice. Proprietary data, drawings, company confidential all rights reserved.		01/10/2014	Version 1.0 Page 16/19

Handling of Silicone Resin LEDs

Handling Indications

During processing, mechanical stress on the surface should be minimized as much as possible.

Sharp objects of all types should not be used to pierce the sealing compound.



Figure 1

In general, LEDs should only be handled from the side. By the way ,this also applies to LEDs without a silicone sealant, since the surface can also become scratched.

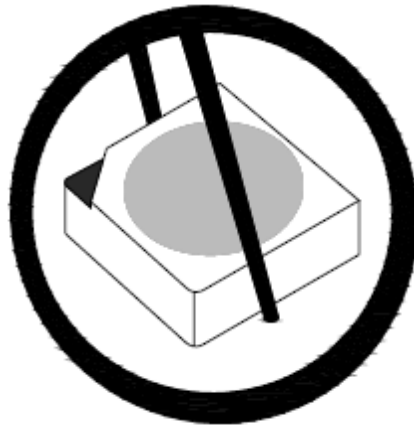


Figure 2

When populating boards in SMT production, there are basically no restrictions regarding the from of the pick and place nozzle, except that mechanical pressure on the surface of the resin must be prevented.

This is assured by choosing a pick and place nozzle which is large than LEDs reflector area.

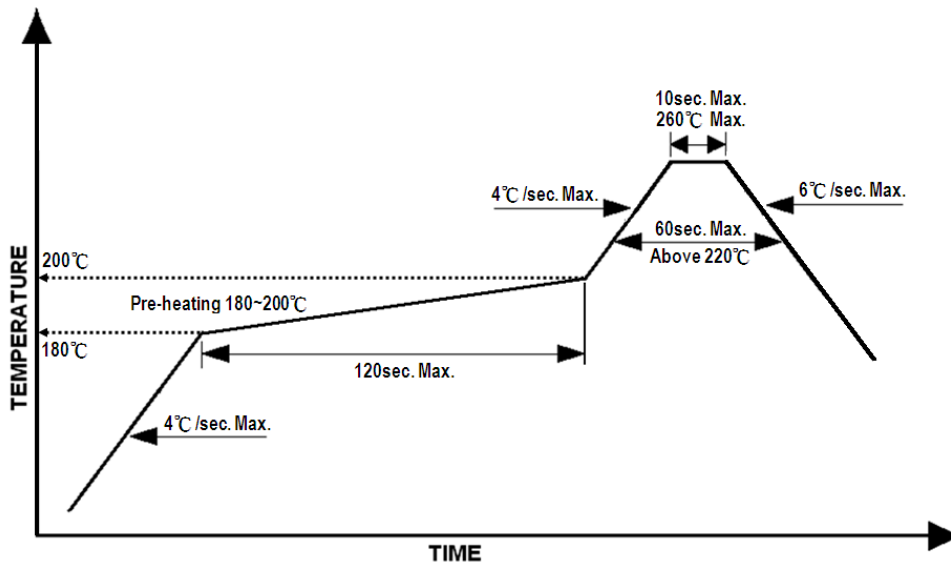
Official Product	HT Part No. T1A63DND-A5P000112		
Tentative Product	*****	*****	*****
Specifications are subject to changes for improvement without advance notice. Proprietary data, drawings, company confidential all rights reserved.		01/10/2014	Version 1.0 Page 17/19

Reflow Soldering

Recommend soldering paste specifications:

1. Operating temp.: Above 220 °C ,60 sec.
2. Peak temp.:260 °CMax.,10sec Max.
3. Reflow soldering should not be done more than two times.
4. Never attempt next process until the component is cooled down to room temperature after reflow.
5. The recommended reflow soldering profile (measured on the surface of the LED terminal) is as following:

Lead-free Solder Profile



Reworking

- Rework should be completed within 5 seconds under 260 °C.
- The iron tip must not come in contact with the copper foil.
- Twin-head type is preferred.

Cleaning

Following are cleaning procedures after soldering:

- An alcohol-based solvent such as isopropyl alcohol (IPA) is recommended.
- Temperature x Time should be 50°C x 30sec. or <30°C x 3min
- Ultrasonic cleaning: < 15W/ bath; bath volume ≤ 1liter
- Curing: 100 °C max, <3min

Official Product	HT Part No. T1A63DND-A5P000112		
Tentative Product	*****	*****	*****
Specifications are subject to changes for improvement without advance notice. Proprietary data, drawings, company confidential all rights reserved.		01/10/2014	Version 1.0 Page 18/19

