

Harvatek Surface Mount LED Data Sheet T5335DND-30P-000112

Official Product	HT Part No. T5335DND-30P-000112		
Tentative Product	*****	*****	*****
Specifications are subject to changes for improvement without advance notice. Proprietary data, drawings, company confidential all rights reserved.		08/19/2013	Version 1.0
			Page 1/18

DISCLAIMER	3
LIFE SUPPORT POLICY	3
PRODUCT SPECIFICATIONS	4
ATTENTION: ELECTROSTATIC DISCHARGE (ESD) PROTECTION	4
LABEL SPECIFICATIONS	5
SPECIFICATIONS RANGE	6
PRODUCT FEATURES	10
ELECTRO-OPTICAL CHARACTERISTICS	10
PACKAGE OUTLINE DIMENSION AND RECOMMENDED SOLDERING PATTERN FOR REFLOW	
SOLDERING	10
ABSOLUTE MAXIMUM RATINGS	10
CHARACTERISTICS OF T5335DND	11
PRECAUTION FOR USE	12
PACKAGING	13
TAPE DIMENSION	13
REEL DIMENSION	14
PACKING	14
DRY PACK	15
BAKING	15
PRECAUTIONS	15
HANDLING OF SILICONE RESIN LEDs	16
REFLOW SOLDERING	17
REWORKING	17
CLEANING	17
CAUTIONS OF PICK AND PLACE	18
REVISE HISTORY	18

Official Product	HT Part No. T5335DND-30P-000112		
Tentative Product	*****	*****	
Specifications are subject to changes for improvement without advance notice. Proprietary data, drawings, company confidential all rights reserved.		08/19/2013	Version 1.0 Page 2/18

DISCLAIMER

HARVATEK reserves the right to make changes without further notice to any products herein to improve reliability, function or design. HARVATEK does not assume any liability arising out of the application or use of any product or circuit described herein; neither does it convey any license under its patent rights, nor the rights of others.

Life Support Policy

HARVATEK's products are not authorized for use as critical components in life support devices or systems without the express written approval of the President of HARVATEK or HARVATEK INTERNATIONAL. As used herein:

1. Life support devices or systems are devices or systems which, (a) are intended for surgical implant into the body, or (b) support or sustain life, and (c) whose failure to perform when properly used in accordance with instructions for use provided in the labeling, can be reasonably expected to result in a significant injury of the user.
2. A critical component in any component of a life support device or system whose failure to perform can be reasonably expected to cause the failure of the life support device or system, or to affect its safety or effectiveness.

Official Product	HT Part No. T5335DND-30P-000112		
Tentative Product	*****	*****	*****
Specifications are subject to changes for improvement without advance notice. Proprietary data, drawings, company confidential all rights reserved.		08/19/2013	Version 1.0 Page 3/18

Product Specifications

Item	Specification	Material	Quantity
IV	Min 45.36 lm @30mA / T _s = 25°C;Tolerance: ± 10%		
Correlated Color Temperature	7500-2550K @30mA/ T _s = 25°C;Tolerance: ± 250K		
Vf	15.05~17.19 V (0.24V/Bin) @30mA/ T _s = 25°C;Tolerance: ± 0.05V		
Ir	< 100 μA @ V _R = 5 V		
Resin	Yellow	Silicon Resin	
Carrier tape	EIA 481-1A specs	Conductive black tape	
Reel	EIA 481-1A specs	Conductive black	
Label	HT standard	Paper	
Packing bag	220x240mm	Aluminum laminated bag/ no-zipper	One reel per bag
Carton	HT standard	Paper	Non-specified

Others:

Each immediate box consists of 5 reels. The 5 reels may not necessarily have the same lot number or the same bin combinations of Iv, CIE and Vf. Each reel has a label identifying its specification; the immediate box consists of a product label as well.

ATTENTION: Electrostatic Discharge (ESD) protection

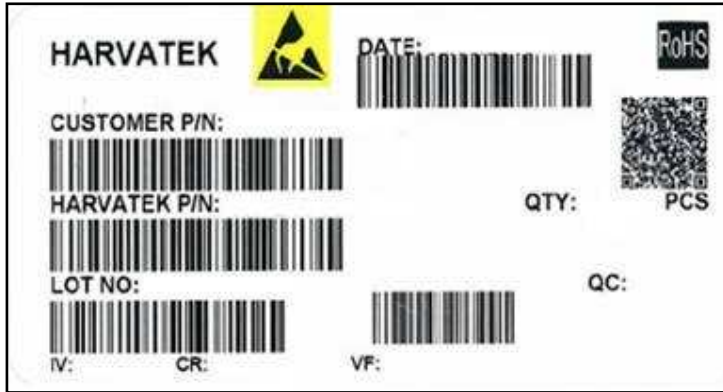


The symbol to the left denotes that ESD precaution is needed. ESD protection for GaP and AlGaAs based chips is necessary even though they are relatively safe in the presence of low static-electric discharge. Parts built with AlInGaP, GaN, or/and InGaN based chips are **STATIC SENSITIVE devices**. ESD precaution must be taken during design and assembly.

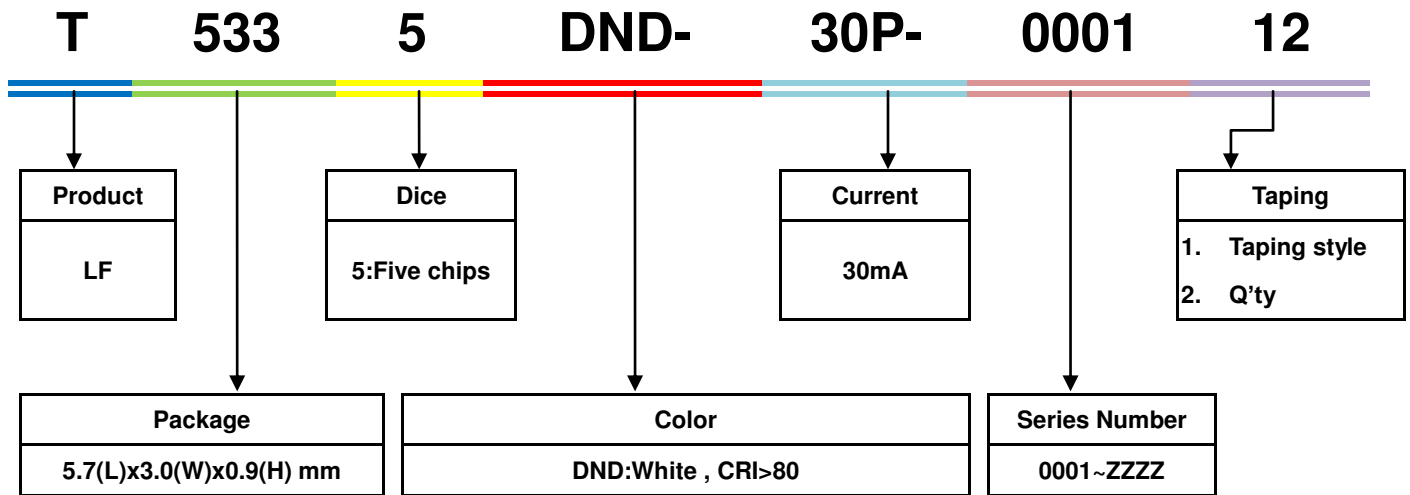
If manual work or processing is needed, please ensure the device is adequately protected from ESD during the process.

Official Product	HT Part No. T5335DND-30P-000112		
Tentative Product	*****	*****	
Specifications are subject to changes for improvement without advance notice. Proprietary data, drawings, company confidential all rights reserved.		08/19/2013	Version 1.0 Page 4/18

Label Specifications



Harvatek P/N:



Lot No.:

1	2	3	4	5	6	7	8	9	10
E	1	A	1	A	2	2	L	1	2
Code 1 2		Code 3	Code 4	Code 5	Code 6	Code 7	Code 8	Code 9	Code 10
		Mfg. Year	Mfg. Month	Mfg. Date	Consecutive number		Special code		
Internal Tracing Code		2010-A 2011-B 2012-C 2013-D . .	1:Jan. 2:Feb. A:Oct. B:Nov. C:Dec.	1:A 2:B 3:C ... 26:Z 27:7 28:8 29:9 30:3 31:4	01~ZZ		000~ZZZ		

Official Product	HT Part No. T5335DND-30P-000112		
Tentative Product	*****	*****	
Specifications are subject to changes for improvement without advance notice. Proprietary data, drawings, company confidential all rights reserved.		08/19/2013	Version 1.0 Page 5/18

Specifications Range

■(Iv) Bin:

Color	Bin Code	Spec. Range
White	RC2	45.36-48.44lm
	RD2	48.44-51.7lm
	SA3	51.7-55.3lm
	SB3	55.3-58.9lm
	SC4	58.9-63.05lm

Note: It maintains a tolerance of $\pm 10\%$ on IV

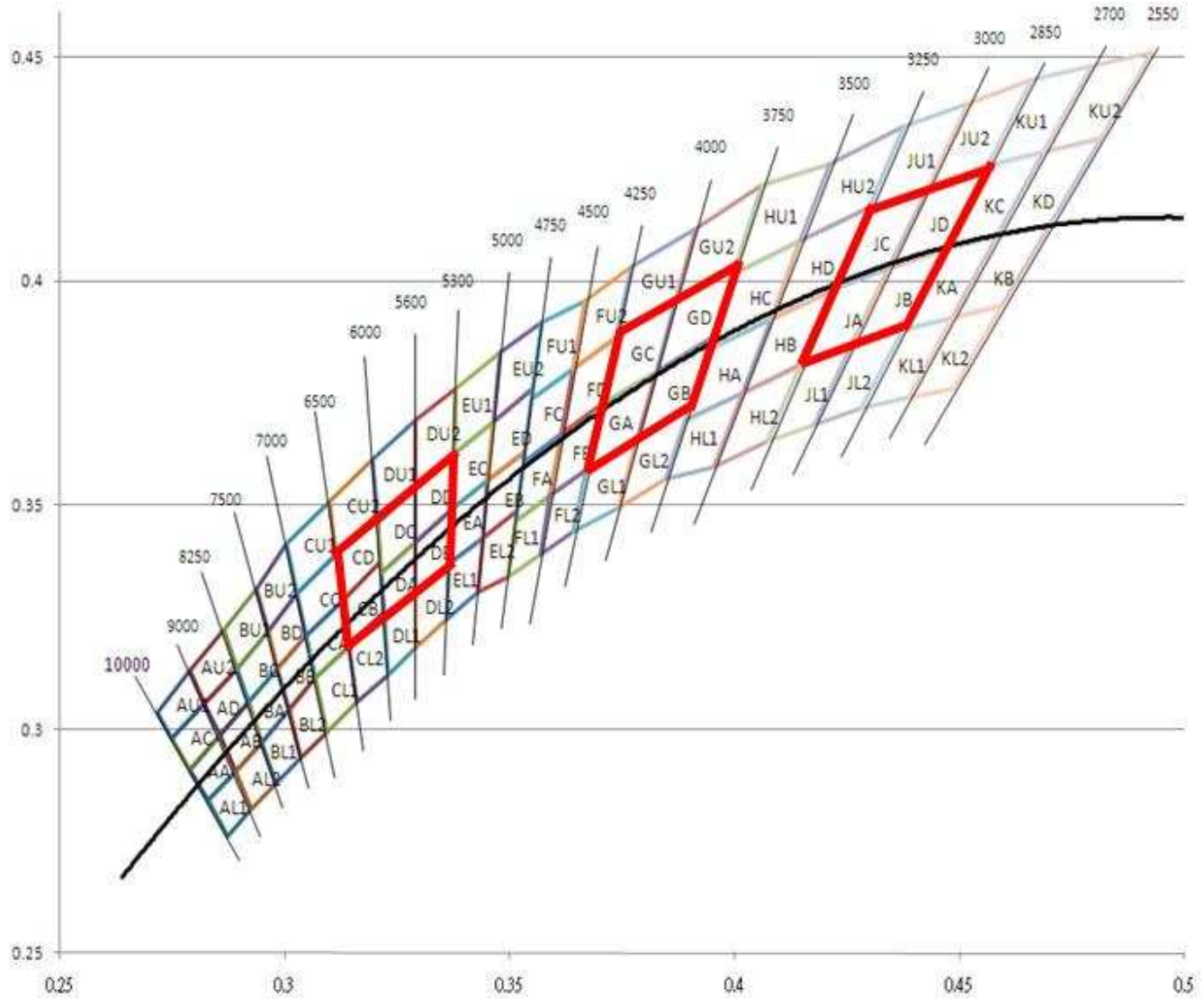
Official Product	HT Part No. T5335DND-30P-000112		
Tentative Product	*****	*****	*****
Specifications are subject to changes for improvement without advance notice. Proprietary data, drawings, company confidential all rights reserved.		08/19/2013	Version 1.0 Page 6/18

Color Bin:

AA	0.283	0.284	BA	0.295	0.297	CA	0.3068	0.3113	DA	0.3222	0.3243	EA	0.3366	0.3369	
	0.279	0.291		0.292	0.306		0.3048	0.3207		0.3215	0.335		0.3371	0.349	
	0.2855	0.2985		0.2984	0.3133		0.313	0.329		0.329	0.3417		0.3451	0.3554	
	0.289	0.2905		0.3009	0.3042		0.3144	0.3186		0.329	0.33		0.344	0.3427	
	0.283	0.284		0.295	0.297		0.3068	0.3113		0.3222	0.3243		0.3366	0.3369	
AB	0.289	0.2905	BB	0.3009	0.3042	CB	0.3144	0.3186	DB	0.329	0.33	EB	0.344	0.3427	
	0.2855	0.2985		0.2984	0.3133		0.313	0.329		0.3417	0.3451		0.3554		
	0.292	0.306		0.3048	0.3207		0.3213	0.3373		0.3371	0.349		0.3533	0.362	
	0.295	0.297		0.3068	0.3113		0.3221	0.3261		0.3366	0.3369		0.3515	0.3487	
	0.289	0.2905		0.3009	0.3042		0.3144	0.3186		0.329	0.33		0.344	0.3427	
	0.279	0.291		0.292	0.306		0.3048	0.3207		0.3215	0.335		0.3371	0.349	
AC	0.275	0.298	BC	0.2895	0.3135	CC	0.3028	0.3304	DC	0.3207	0.3462	EC	0.3376	0.3616	
	0.28225	0.30575		0.2962	0.322		0.3115	0.3391		0.329	0.3538		0.3463	0.3687	
	0.2855	0.2985		0.2984	0.3133		0.313	0.329		0.3417	0.329		0.3538	0.3463	0.3687
	0.279	0.291		0.292	0.306		0.3048	0.3207		0.3215	0.335		0.3371	0.349	
	0.2855	0.2985		0.2984	0.3133		0.313	0.329		0.329	0.3417		0.3451	0.3554	
	0.28225	0.30575		0.2962	0.322		0.3115	0.3391		0.329	0.3538		0.3463	0.3687	
AD	0.2895	0.3135	BD	0.3028	0.3304	CD	0.3205	0.3481	DD	0.3376	0.3616	ED	0.3551	0.376	
	0.292	0.306		0.3048	0.3207		0.3213	0.3373		0.3371	0.349		0.3533	0.362	
	0.2855	0.2985		0.2984	0.3133		0.313	0.329		0.3417	0.329		0.3538	0.3463	0.3687
	0.279	0.291		0.292	0.306		0.3048	0.3207		0.3215	0.335		0.3371	0.349	
	0.2855	0.2985		0.2984	0.3133		0.313	0.329		0.329	0.3417		0.3451	0.3554	
	0.28225	0.30575		0.2962	0.322		0.3115	0.3391		0.329	0.3538		0.3463	0.3687	
AL1	0.2874	0.276	BL1	0.298	0.288	CL1	0.3093	0.2993	DL1	0.3231	0.312	EL1	0.3361	0.3245	
	0.283	0.284		0.295	0.297		0.3068	0.3113		0.3222	0.3243		0.3366	0.3369	
	0.289	0.2905		0.3009	0.3042		0.3144	0.3186		0.329	0.33		0.344	0.3428	
	0.2925	0.282		0.3037	0.2937		0.3161	0.3059		0.329	0.318		0.3429	0.3307	
	0.2874	0.276		0.298	0.288		0.3093	0.2993		0.3231	0.312		0.3361	0.3245	
	0.2925	0.282		0.3037	0.2937		0.3161	0.3059		0.329	0.318		0.3429	0.3307	
AL2	0.289	0.2905	BL2	0.3009	0.3042	CL2	0.3144	0.3186	DL2	0.329	0.33	EL2	0.344	0.3428	
	0.295	0.297		0.3068	0.3113		0.3221	0.3261		0.3366	0.3369		0.3515	0.3487	
	0.298	0.288		0.3093	0.2993		0.3231	0.312		0.3361	0.3245		0.3495	0.3339	
	0.2925	0.282		0.3037	0.2937		0.3161	0.3059		0.329	0.318		0.3429	0.3307	
	0.289	0.2905		0.3009	0.3042		0.3144	0.3186		0.329	0.33		0.344	0.3428	
	0.295	0.297		0.3068	0.3113		0.3221	0.3261		0.3366	0.3369		0.3515	0.3487	
AU1	0.298	0.288	BU1	0.3093	0.2993	CU1	0.3231	0.312	DU1	0.3361	0.3245	EU1	0.3495	0.3339	
	0.2925	0.282		0.3037	0.2937		0.3161	0.3059		0.329	0.318		0.3429	0.3307	
	0.275	0.298		0.2895	0.3135		0.3028	0.3304		0.3207	0.3462		0.3376	0.3616	
	0.2718	0.3036		0.2864	0.3221		0.3005	0.3415		0.3196	0.3602		0.3381	0.3762	
	0.2925	0.282		0.3037	0.2937		0.3161	0.3059		0.329	0.318		0.3429	0.3307	
	0.289	0.2905		0.3009	0.3042		0.3144	0.3186		0.329	0.33		0.344	0.3428	
	0.295	0.297		0.3068	0.3113		0.3221	0.3261		0.3366	0.3369		0.3515	0.3487	
AU2	0.2925	0.282	BU2	0.3037	0.2937	CU2	0.3161	0.3059	DU2	0.329	0.318	EU2	0.3429	0.3307	
	0.275	0.298		0.2895	0.3135		0.3028	0.3304		0.3207	0.3462		0.3376	0.3616	
	0.2718	0.3036		0.2864	0.3221		0.3005	0.3415		0.3196	0.3602		0.3381	0.3762	
	0.279	0.313		0.2937	0.3312		0.3099	0.3509		0.329	0.369		0.348	0.384	
	0.2925	0.282		0.3037	0.2937		0.3161	0.3059		0.329	0.318		0.3429	0.3307	
	0.289	0.2905		0.3009	0.3042		0.3144	0.3186		0.329	0.33		0.344	0.3428	
	0.295	0.297		0.3068	0.3113		0.3221	0.3261		0.3366	0.3369		0.3515	0.3487	
	0.2925	0.282		0.3037	0.2937		0.3161	0.3059		0.329	0.318		0.3429	0.3307	
	0.275	0.298		0.2895	0.3135		0.3028	0.3304		0.3207	0.3462		0.3376	0.3616	
	0.2718	0.3036		0.2864	0.3221		0.3005	0.3415		0.3196	0.3602		0.3381	0.3762	
	0.279	0.313		0.2937	0.3312		0.3099	0.3509		0.329	0.369		0.348	0.384	
	0.28225	0.30575		0.2962	0.322		0.3115	0.3391		0.329	0.3538		0.3463	0.3687	
	0.275	0.298		0.2895	0.3135		0.3028	0.3304		0.3207	0.3462		0.3376	0.3616	
	0.28225	0.30575		0.2962	0.322		0.3115	0.3391		0.329	0.3538		0.3463	0.3687	
	0.279	0.313		0.2937	0.3312		0.3099	0.3509		0.329	0.369		0.348	0.384	
	0.2864	0.3221		0.3005	0.3415		0.3196	0.3602		0.3381	0.3762		0.3571	0.3907	
	0.2895	0.3135		0.3028	0.3304		0.3205	0.3481		0.3376	0.3616		0.3551	0.376	
	0.28225	0.30575		0.2962	0.322		0.3115	0.3391		0.329	0.3538		0.3463	0.3687	

FA	0.3512	0.3465	GA	0.367	0.3578	HA	0.3889	0.369	JA	0.4147	0.3814	KA	0.4373	0.3893
	0.353	0.3597		0.3702	0.3722		0.3941	0.3848		0.4221	0.3984		0.4465	0.4071
	0.3615	0.3659		0.3825	0.3798		0.408	0.3916		0.4342	0.4028		0.4582	0.4099
	0.359	0.3521		0.3783	0.3646		0.4017	0.3751		0.4259	0.3853		0.4483	0.3919
	0.3512	0.3465		0.367	0.3578		0.3889	0.369		0.4147	0.3814		0.4373	0.3893
	0.353	0.3597		0.3702	0.3722		0.4017	0.3751		0.4259	0.3853		0.4483	0.3919
FB	0.3615	0.3659	GB	0.3825	0.3798	HB	0.408	0.3916	JB	0.4342	0.4028	KB	0.4582	0.4099
	0.3702	0.3722		0.395	0.3875		0.4221	0.3984		0.4465	0.4071		0.47	0.4126
	0.367	0.3578		0.3898	0.3716		0.4147	0.3814		0.4373	0.3893		0.4593	0.3944
	0.359	0.3521		0.3783	0.3646		0.4017	0.3751		0.4259	0.3853		0.4483	0.3919
	0.3615	0.3659		0.3825	0.3798		0.408	0.3916		0.4342	0.4028		0.4582	0.4099
	0.3702	0.3722		0.395	0.3875		0.4221	0.3984		0.4465	0.4071		0.47	0.4126
	0.367	0.3578		0.3898	0.3716		0.4147	0.3814		0.4373	0.3893		0.4593	0.3944
	0.359	0.3521		0.3783	0.3646		0.4017	0.3751		0.4259	0.3853		0.4483	0.3919
FC	0.353	0.3597	GC	0.3702	0.3722	HC	0.3941	0.3848	JC	0.4221	0.3984	KC	0.4465	0.4071
	0.3548	0.3736		0.3736	0.3874		0.3996	0.4015		0.4299	0.4165		0.4562	0.426
	0.3641	0.3804		0.3869	0.3958		0.4146	0.4089		0.443	0.4212		0.4687	0.4289
	0.3615	0.3659		0.3825	0.3798		0.408	0.3916		0.4342	0.4028		0.4582	0.4099
	0.353	0.3597		0.3702	0.3722		0.3941	0.3848		0.4221	0.3984		0.4465	0.4071
	0.3548	0.3736		0.3736	0.3874		0.3996	0.4015		0.4299	0.4165		0.4562	0.426
	0.3641	0.3804		0.3869	0.3958		0.4146	0.4089		0.443	0.4212		0.4687	0.4289
	0.3615	0.3659		0.3825	0.3798		0.408	0.3916		0.4342	0.4028		0.4582	0.4099
	0.353	0.3597		0.3702	0.3722		0.3941	0.3848		0.4221	0.3984		0.4465	0.4071
	0.3615	0.3659		0.3825	0.3798		0.408	0.3916		0.4342	0.4028		0.4582	0.4099
	0.3495	0.3339		0.364	0.344		0.3846	0.3557		0.4073	0.3			

CCT :



Note: It maintains a tolerance of $\pm 250K$ on CCT

Official Product	HT Part No. T5335DND-30P-000112		
Tentative Product	*****	*****	*****
Specifications are subject to changes for improvement without advance notice. Proprietary data, drawings, company confidential all rights reserved.		08/19/2013	Version 1.0 Page 8/18

Forward Voltage (Vf) Bin:

Color	Bin Code	Spec. Range
White	RG	15.05-15.27V
	RH	15.27-15.51V
	RJ	15.51-15.75V
	RK	15.75-15.99V
	RL	15.99-16.23V
	RM	16.23-16.47V
	RN	16.47-16.71V
	RP	16.71-16.95V
	RQ	16.95-17.19V

Note: It maintains a tolerance of $\pm 0.05V$ on forward voltage measurements

Official Product	HT Part No. T5335DND-30P-000112		
Tentative Product	*****	*****	*****
Specifications are subject to changes for improvement without advance notice. Proprietary data, drawings, company confidential all rights reserved.		08/19/2013	Version 1.0 Page 9/18

Product Features

Electro-Optical Characteristics

(T_{Soldering}, 25 °C)

Series	Emitting Color	Material	V _F (V)		Correlated Color Temperature(K)			I _V (LM)	Viewing Angle
			typ	max	min	typ	max	Typical	2θ _{1/2}
T5335DND-30	Cold White	InGaN	15.75	17.19	5600	6000	6500	51	120
T5335DND-30	Neutral White	InGaN	15.75	17.19	3750	4000	4250	50	120
T5335DND-30	Warm White	InGaN	15.75	17.19	2850	3000	3250	49	120

Package Outline Dimension and Recommended Soldering Pattern for Reflow Soldering

Unit:mm Tolerance: +/-0.25

Outline Dim.	Soldering Pattern
<p>Pin3&Pin5 is connected with heat slug</p>	
Soldering terminals may shift in the x, y direction.	

Absolute Maximum Ratings

(T_{Soldering} 25 °C)

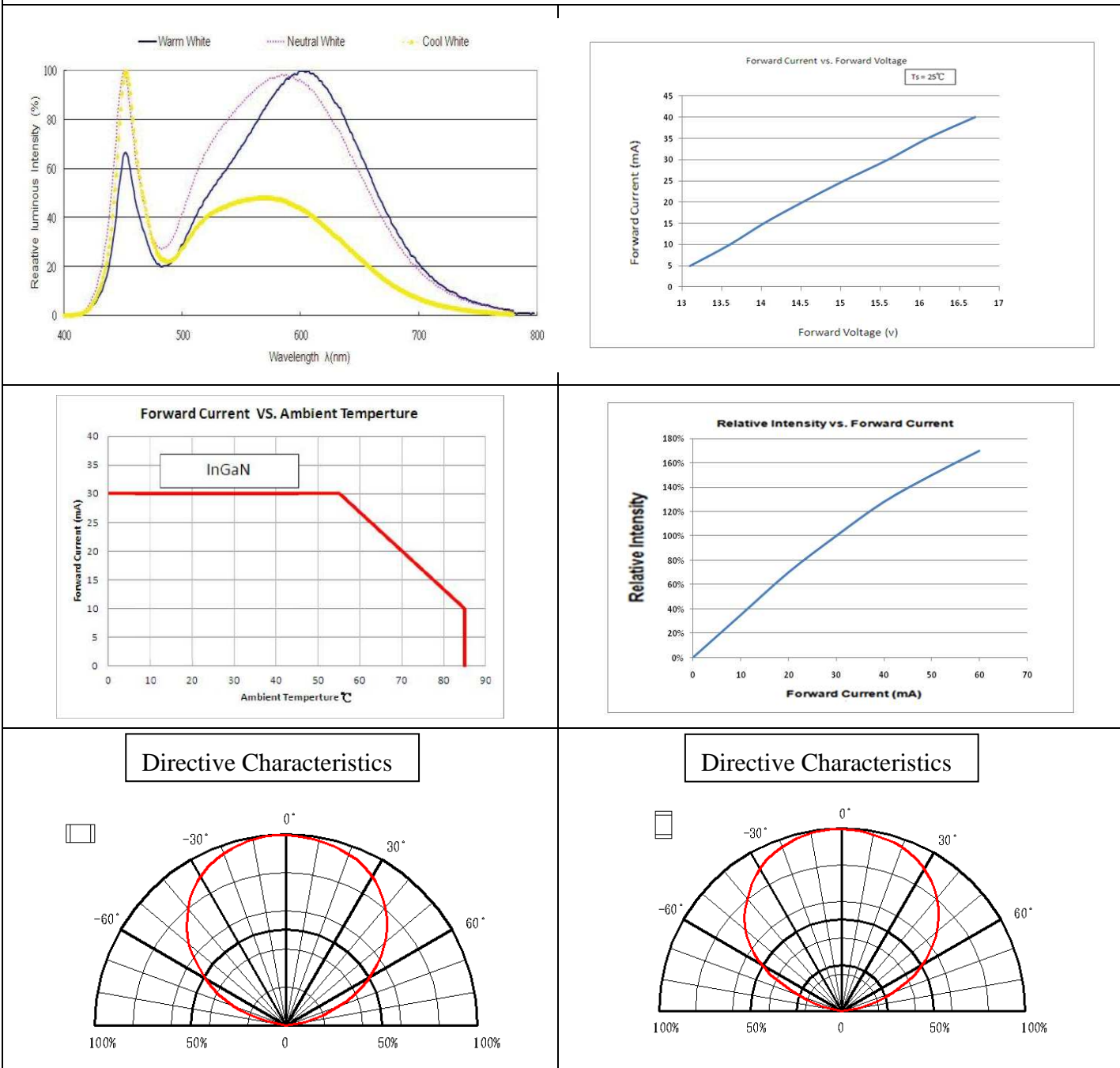
Series	P _D (mW)	V _R (V)	I _F (mA)	I _{FP} (mA)*	T _{OP} (°C)	T _{ST} (°C)
Color	Power Dissipation	Reverse Voltage	Forward Current	Pulse Forward Current	Operating Temperature	Storage Temperature
Warm White	515	5	30	60	-40~+85	-40~+100

* Condition for I_{FP} is pulse of 1/10 duty and 0.1msec width

※Remarks: This product should be operated in forward bias.If a reverse voltage is continuously applied to the product, such operation can cause migration resulting in LED damage.

Official Product	HT Part No. T5335DND-30P-000112		
Tentative Product	*****	*****	*****
Specifications are subject to changes for improvement without advance notice. Proprietary data, drawings, company confidential all rights reserved.	08/19/2013	Version 1.0	Page 10/18

Characteristics of T5335DND



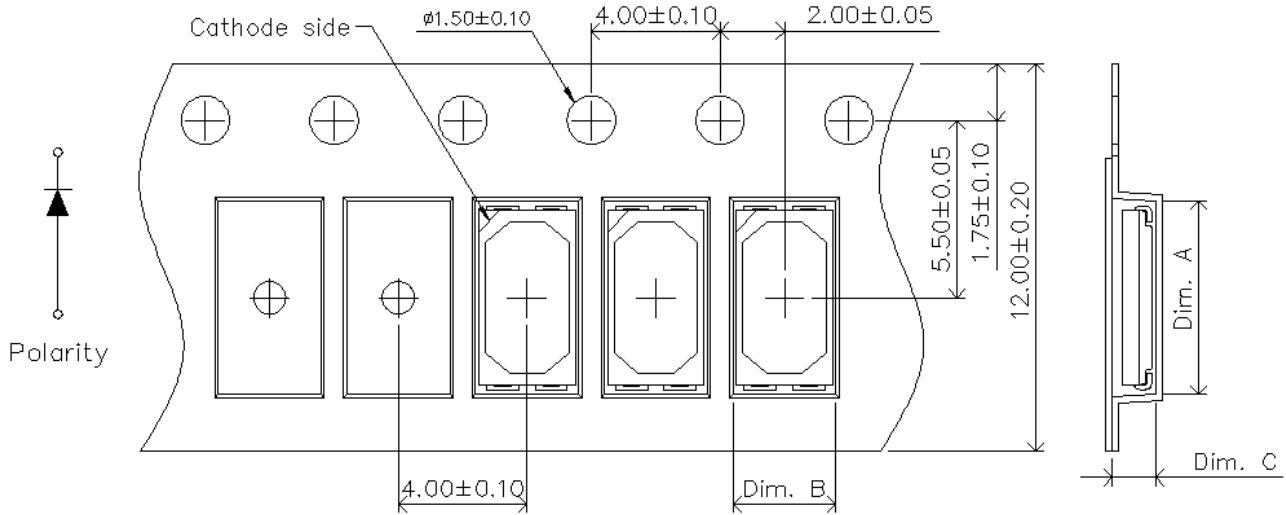
Official Product	HT Part No. T5335DND-30P-000112		
Tentative Product	*****	*****	*****
Specifications are subject to changes for improvement without advance notice. Proprietary data, drawings, company confidential all rights reserved.	08/19/2013	Version 1.0	Page 11/18

Precaution for Use

1. The chips should not be used directly in any type of fluid such as water, oil, organic solvent, etc.
2. When the LEDs are illuminating, the maximum ambient temperature should be first considered before operation.
3. LEDs must be stored in a clean environment. A sealed container with a nitrogen atmosphere is necessary if the storage period is over 3 months after shipping.
4. The LEDs must be used within seven days after unpacked. Unused products must be repacked in an anti-electrostatic package, folded to close any opening and then stored in a dry and cool space.
5. The appearance and specifications of the products may be modified for improvement without further notice.
6. The LEDs are sensitive to the static electricity and surge. It is strongly recommended to use a grounded wrist band and anti-electrostatic glove when handling the LEDs. If a voltage over the absolute maximum rating is applied to LEDs, it will damage LEDs. Damaged LEDs will show some abnormal characteristics such as remarkable increase of leak current, lower turn-on voltage and getting unlit at low current.

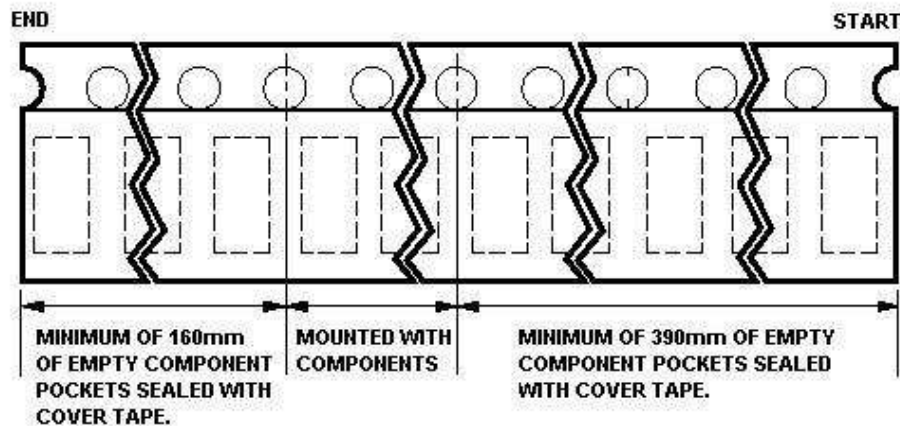
Official Product	HT Part No. T5335DND-30P-000112		
Tentative Product	*****	*****	*****
Specifications are subject to changes for improvement without advance notice. Proprietary data, drawings, company confidential all rights reserved.		08/19/2013	Version 1.0 Page 12/18

Packaging Tape Dimension



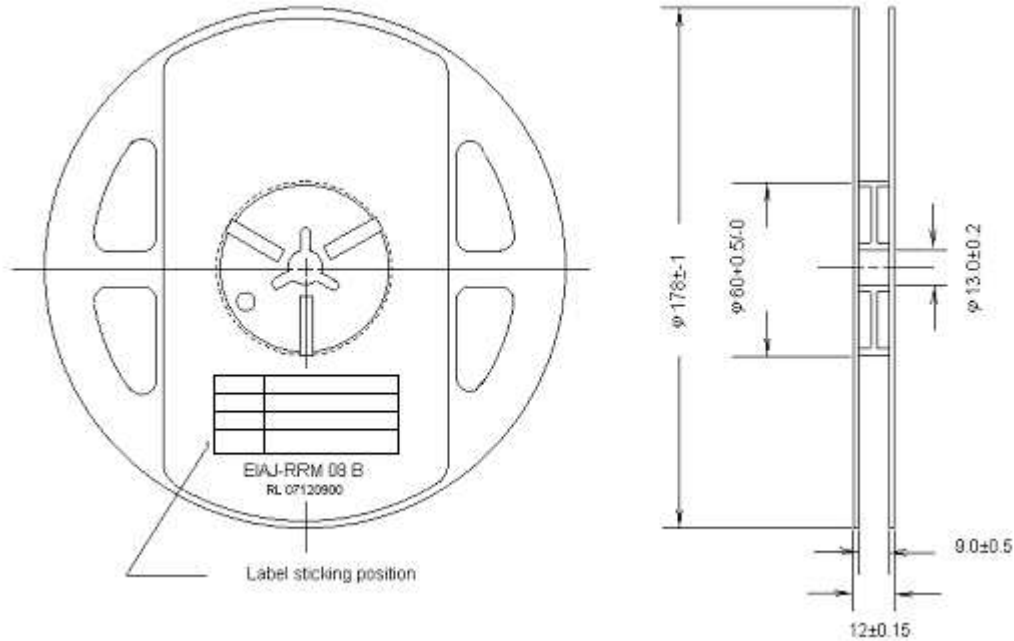
Part No.	Dim. A	Dim. B	Dim. C	Q'ty/Reel
U530X	6.0 ± 0.1	3.2 ± 0.1	1.1 ± 0.1	2K

Unit: mm

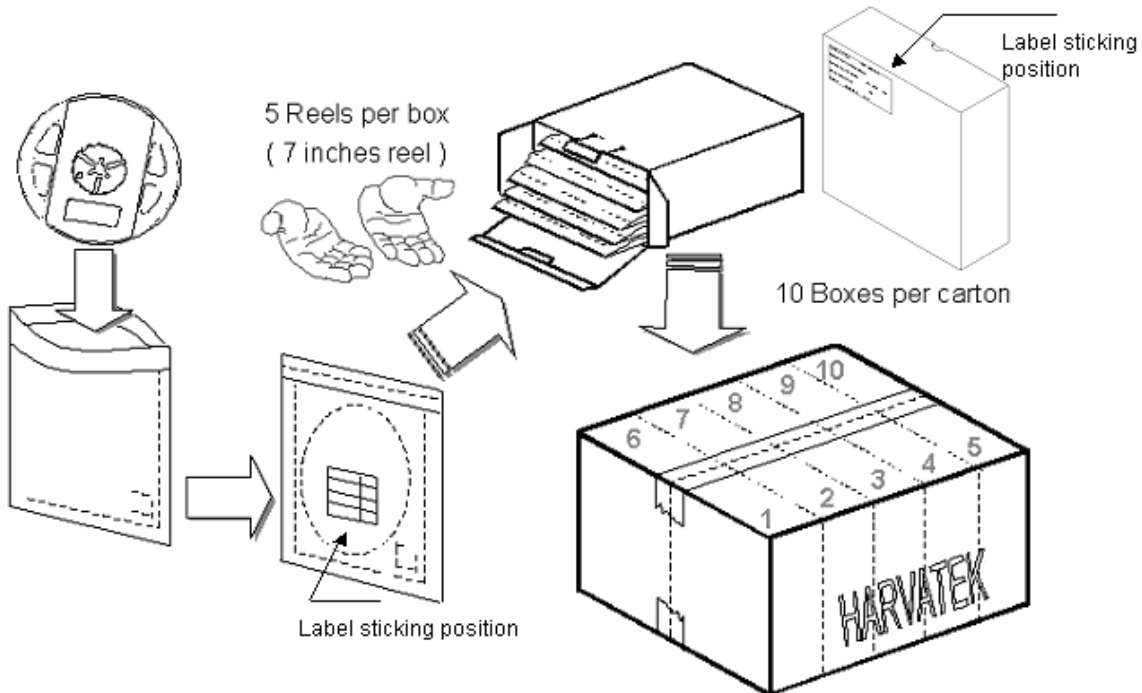


Official Product	HT Part No. T5335DND-30P-000112		
Tentative Product	*****	*****	
Specifications are subject to changes for improvement without advance notice. Proprietary data, drawings, company confidential all rights reserved.		08/19/2013	Version 1.0 Page 13/18

Reel Dimension



Packing



5 boxes per carton is available depending on shipment quantity.

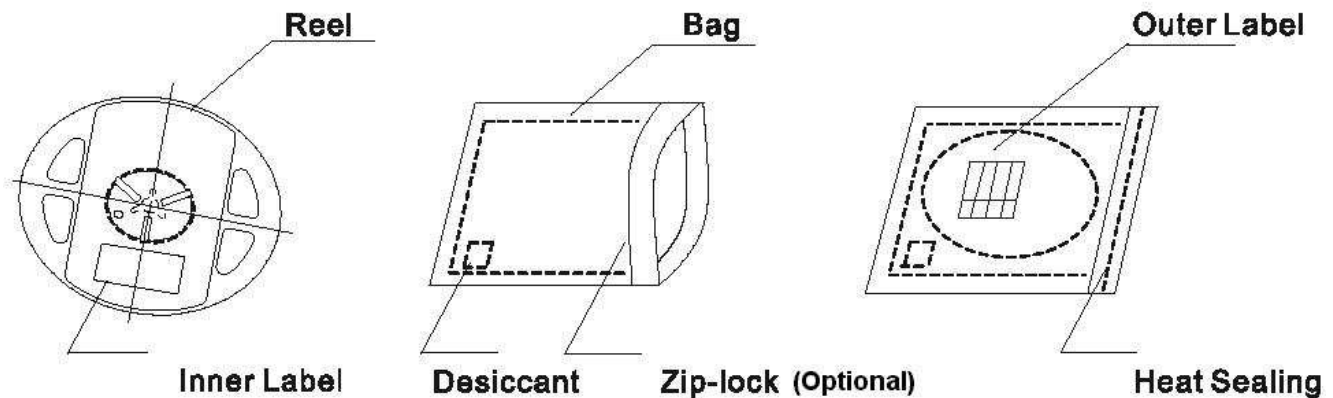
Official Product	HT Part No. T5335DND-30P-000112		
Tentative Product	*****	*****	*****
Specifications are subject to changes for improvement without advance notice. Proprietary data, drawings, company confidential all rights reserved.		08/19/2013	Version 1.0 Page 14/18

Dry Pack

All SMD optical devices are **MOISTURE SENSITIVE**. Avoid exposure to moisture at all times during transportation or storage. Every reel is packaged in a moisture protected anti-static bag. Each bag is properly sealed prior to shipment.

Upon request, a humidity indicator will be included in the moisture protected anti-static bag prior to shipment.

The packaging sequence is as follows:



Baking

Baking before soldering is recommended when the package has been unsealed for 72 hours.

The conditions are as followings:

1. $60\pm 3^{\circ}\text{C} \times (12\sim 24\text{hrs})$ and $< 5\% \text{RH}$, taped reel type.
2. $100\pm 3^{\circ}\text{C} \times (45\text{min}\sim 1\text{hr})$, bulk type.
3. $130\pm 3^{\circ}\text{C} \times (15\text{min}\sim 30\text{min})$, bulk type.

Precautions

1. Avoid exposure to moisture at all times during transportation or storage.
2. Anti-Static precaution must be taken when handling GaN, InGaN, and AlInGaP products.
3. It is suggested to connect the unit with a current limiting resistor of the proper size. Avoid applying a reverse voltage beyond the specified limit.
4. Avoid operation beyond the limits as specified by the absolute maximum ratings.
5. Avoid direct contact with the surface through which the LED emits light.
6. If possible, assemble the unit in a clean room or dust-free environment.

Official Product	HT Part No. T5335DND-30P-000112		
Tentative Product	*****	*****	*****
Specifications are subject to changes for improvement without advance notice. Proprietary data, drawings, company confidential all rights reserved.		08/19/2013	Version 1.0 Page 15/18

Handling of Silicone Resin LEDs

Handling Indications

During processing, mechanical stress on the surface should be minimized as much as possible.

Sharp objects of all types should not be used to pierce the sealing compound.



Figure 1

In general, LEDs should only be handled from the side. By the way ,this also applies to LEDs without a silicone sealant, since the surface can also become scratched.

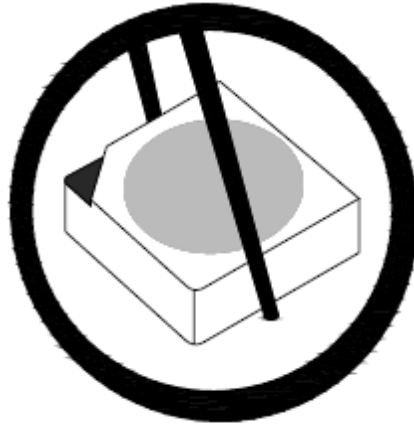


Figure 2

When populating boards in SMT production, there are basically no restrictions regarding the from of the pick and place nozzle, except that mechanical pressure on the surface of the resin must be prevented.

This is assured by choosing a pick and place nozzle which is large than LEDs reflector area.

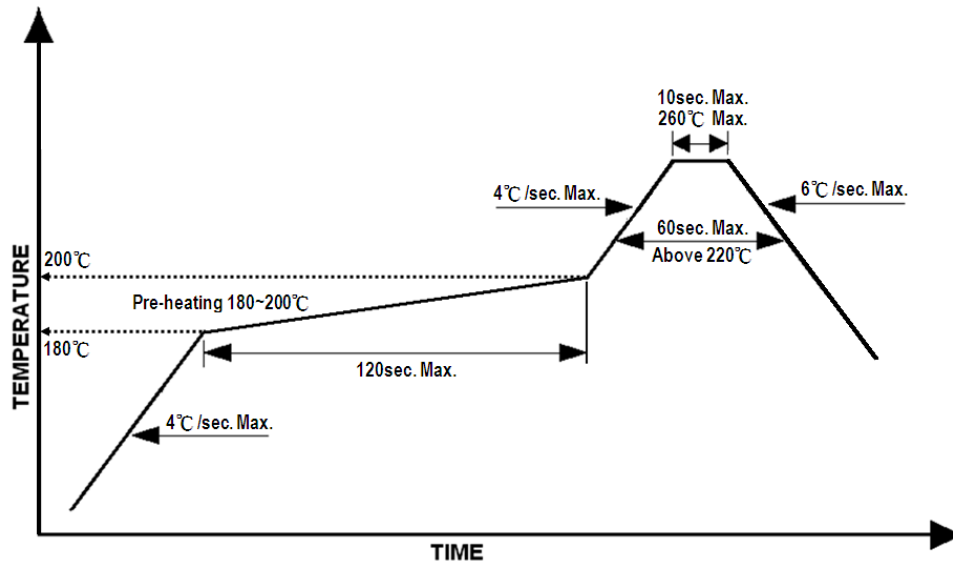
Official Product	HT Part No. T5335DND-30P-000112		
Tentative Product	*****	*****	*****
Specifications are subject to changes for improvement without advance notice. Proprietary data, drawings, company confidential all rights reserved.		08/19/2013	Version 1.0 Page 16/18

Reflow Soldering

Recommend soldering paste specifications:

1. Operating temp.: Above 220 °C ,60 sec.
2. Peak temp.:260 °CMax.,10sec Max.
3. Reflow soldering should not be done more than two times.
4. Never attempt next process until the component is cooled down to room temperature after reflow.
5. The recommended reflow soldering profile (measured on the surface of the LED terminal) is as following:

Lead-free Solder Profile



Reworking

- Rework should be completed within 5 seconds under 260 °C.
- The iron tip must not come in contact with the copper foil.
- Twin-head type is preferred.

Cleaning

Following are cleaning procedures after soldering:

- An alcohol-based solvent such as isopropyl alcohol (IPA) is recommended.
- Temperature x Time should be 50°C x 30sec. or <30°C x 3min
- Ultrasonic cleaning: < 15W/ bath; bath volume ≤ 1liter
- Curing: 100 °C max, <3min

Official Product	HT Part No. T5335DND-30P-000112		
Tentative Product	*****	*****	*****
Specifications are subject to changes for improvement without advance notice. Proprietary data, drawings, company confidential all rights reserved.	08/19/2013	Version 1.0	Page 17/18

