

Harvatek Surface Mount LED Data Sheet T1571DND-60P-000112

Official Product	HT Part No. T1571DND-60P-000112		
Tentative Product	*****	*****	*****
Specifications are subject to changes for improvement without advance notice. Proprietary data, drawings, company confidential all rights reserved.		08/05/2013	Version 1.0 Page 1/17

DISCLAIMER	3
LIFE SUPPORT POLICY	3
PRODUCT SPECIFICATIONS	4
ATTENTION: ELECTROSTATIC DISCHARGE (ESD) PROTECTION	4
LABEL SPECIFICATIONS	5
SPECIFICATIONS RANGE	6
PRODUCT FEATURES	10
ELECTRO-OPTICAL CHARACTERISTICS	10
PACKAGE OUTLINE DIMENSION AND RECOMMENDED SOLDERING PATTERN FOR REFLOW SOLDERING	10
ABSOLUTE MAXIMUM RATINGS	11
CHARACTERISTICS OF T1571DND	12
PRECAUTION FOR USE	13
PACKAGING	14
TAPE DIMENSION	14
REEL DIMENSION	15
PACKING	15
DRY PACK	16
BAKING	16
PRECAUTIONS	16
HANDLING OF SILICONE RESIN LEDs	17
REFLOW SOLDERING	18
REWORKING	18
CLEANING	18
CAUTIONS OF PICK AND PLACE	19
REVISE HISTORY	19

Official Product	HT Part No. T1571DND-60P-000112		
Tentative Product	*****	*****	*****
Specifications are subject to changes for improvement without advance notice. Proprietary data, drawings, company confidential all rights reserved.		08/05/2013	Version 1.0 Page 2/17

DISCLAIMER

HARVATEK reserves the right to make changes without further notice to any products herein to improve reliability, function or design. HARVATEK does not assume any liability arising out of the application or use of any product or circuit described herein; neither does it convey any license under its patent rights, nor the rights of others.

Life Support Policy

HARVATEK's products are not authorized for use as critical components in life support devices or systems without the express written approval of the President of HARVATEK or HARVATEK INTERNATIONAL. As used herein:

1. Life support devices or systems are devices or systems which, (a) are intended for surgical implant into the body, or (b) support or sustain life, and (c) whose failure to perform when properly used in accordance with instructions for use provided in the labeling, can be reasonably expected to result in a significant injury of the user.
2. A critical component in any component of a life support device or system whose failure to perform can be reasonably expected to cause the failure of the life support device or system, or to affect its safety or effectiveness.

Official Product	HT Part No. T1571DND-60P-000112		
Tentative Product	*****	*****	*****
Specifications are subject to changes for improvement without advance notice. Proprietary data, drawings, company confidential all rights reserved.	08/05/2013	Version 1.0	Page 3/17

Product Specifications

Item	Specification	Material	Quantity
Luminous Intensity(Iv)	Min 20.62 lm Min 20.62 lm Min 19.33 lm @60mA / T _s = 25°C ;Tolerance: ± 10%		
Correlated Color Temperature	5300-6500K 3750-4250K 2850-3250K @60mA/ T _s = 25°C ;Tolerance: ± 0.01		
Vf	2.8~3.4 V (0.1V/Bin) @60mA/ T _s = 25°C ;Tolerance: ± 0.05V		
Ir	< 100 μA @ V _R = 5 V		
Resin	Yellow	Silicon Resin	
Carrier tape	EIA 481-1A specs	Conductive black tape	
Reel	EIA 481-1A specs	Conductive black	
Label	HT standard	Paper	
Packing bag	220x240mm	Aluminum laminated bag/ no-zipper	One reel per bag
Carton	HT standard	Paper	Non-specified

Others:

Each immediate box consists of 5 reels. The 5 reels may not necessarily have the same lot number or the same bin combinations of Iv, CIE and Vf. Each reel has a label identifying its specification; the immediate box consists of a product label as well.

ATTENTION: Electrostatic Discharge (ESD) protection

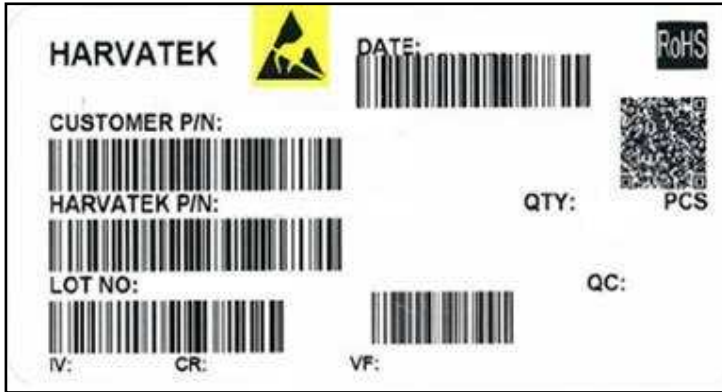


The symbol to the left denotes that ESD precaution is needed. ESD protection for GaP and AlGaAs based chips is necessary even though they are relatively safe in the presence of low static-electric discharge. Parts built with AlInGaP, GaN, or/and InGaN based chips are **STATIC SENSITIVE devices**. ESD precaution must be taken during design and assembly.

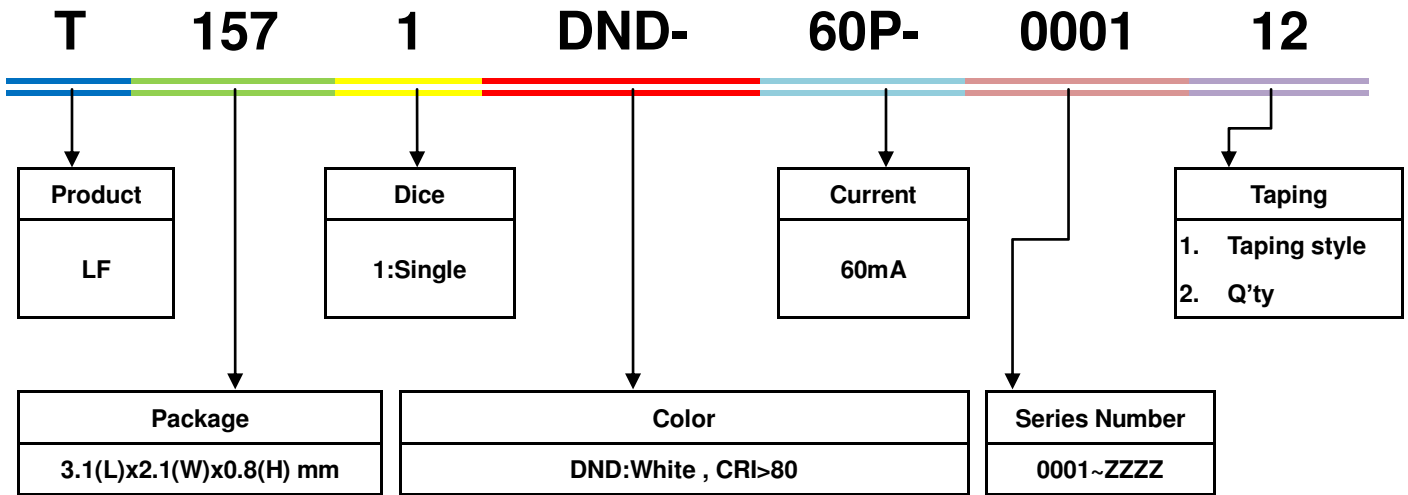
If manual work or processing is needed, please ensure the device is adequately protected from ESD during the process.

Official Product	HT Part No. T1571DND-60P-000112		
Tentative Product	*****	*****	*****
Specifications are subject to changes for improvement without advance notice. Proprietary data, drawings, company confidential all rights reserved.	08/05/2013	Version 1.0	Page 4/17

Label Specifications



Harvatek P/N:



Lot No.:

1	2	3	4	5	6	7	8	9	10
E	1	A	1	A	2	2	L	1	2
Code 1 2		Code 3	Code 4	Code 5	Code 6	Code 7	Code 8	Code 9	Code 10
		Mfg. Year	Mfg. Month	Mfg. Date	Consecutive number		Special code		
Internal Tracing Code		2010-A 2011-B 2012-C 2013-D . .	1:Jan. 2:Feb. A:Oct. B:Nov. C:Dec.	1:A 2:B 3:C ... 26:Z 27:7 28:8 29:9 30:3 31:4	01~ZZ		000~ZZZ		

Official Product	HT Part No. T1571DND-60P-000112		
Tentative Product	*****	*****	*****
Specifications are subject to changes for improvement without advance notice. Proprietary data, drawings, company confidential all rights reserved.		08/05/2013	Version 1.0 Page 5/17

Specifications Range

■ Luminous Intensity (lv) Bin:

Color	Bin Code	Spec. Range
White	NB1	19.3~20.6lm
	NC2	20.6~22.0lm
	ND2	22.0~23.5lm
	AP1	23.4~25.1lm
	BP1	25.1~26.8lm

Note: It maintains a tolerance of $\pm 10\%$ on

Official Product	HT Part No. T1571DND-60P-000112		
Tentative Product	*****	*****	*****
Specifications are subject to changes for improvement without advance notice. Proprietary data, drawings, company confidential all rights reserved.		08/05/2013	Version 1.0 Page 6/17

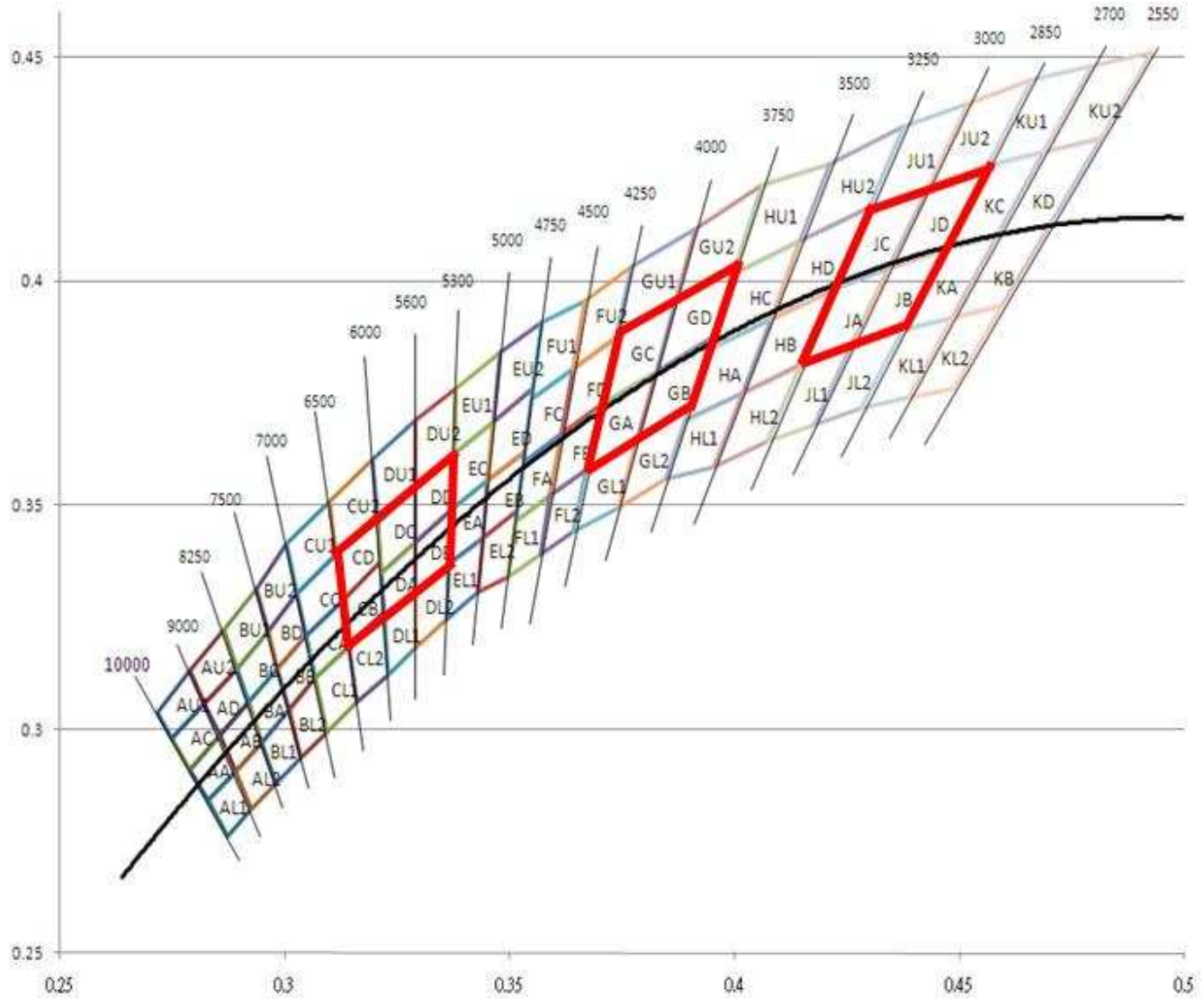
Color Bin:

AA	0.283	0.284	BA	0.295	0.297	CA	0.3068	0.3113	DA	0.3222	0.3243	EA	0.3366	0.3369
	0.279	0.291		0.292	0.306		0.3048	0.3207		0.3215	0.335		0.3371	0.349
	0.2855	0.2985		0.2984	0.3133		0.313	0.329		0.329	0.3417		0.3451	0.3554
	0.289	0.2905		0.3009	0.3042		0.3144	0.3186		0.329	0.33		0.344	0.3427
	0.283	0.284		0.295	0.297		0.3068	0.3113		0.3222	0.3243		0.3366	0.3369
AB	0.289	0.2905	BB	0.3009	0.3042	CB	0.3144	0.3186	DB	0.329	0.33	EB	0.344	0.3427
	0.2855	0.2985		0.2984	0.3133		0.313	0.329		0.3417	0.3451		0.3554	
	0.292	0.306		0.3048	0.3207		0.3213	0.3373		0.3371	0.349		0.3533	0.362
	0.295	0.297		0.3068	0.3113		0.3221	0.3261		0.3366	0.3369		0.3515	0.3487
	0.289	0.2905		0.3009	0.3042		0.3144	0.3186		0.329	0.33		0.344	0.3427
AC	0.279	0.291	BC	0.292	0.306	CC	0.3048	0.3207	DC	0.3215	0.335	EC	0.3371	0.349
	0.275	0.298		0.2895	0.3135		0.3028	0.3304		0.3207	0.3462		0.3376	0.3616
	0.28225	0.30575		0.2962	0.322		0.3115	0.3391		0.329	0.3538		0.3463	0.3687
	0.2855	0.2985		0.2984	0.3133		0.3028	0.3304		0.3207	0.3462		0.3376	0.3616
	0.279	0.291		0.292	0.306		0.3048	0.3207		0.3215	0.335		0.3371	0.349
AD	0.2855	0.2985	BD	0.2984	0.3133	CD	0.313	0.329	DD	0.329	0.3417	ED	0.3451	0.3554
	0.28225	0.30575		0.2962	0.322		0.3115	0.3391		0.329	0.3538		0.3463	0.3687
	0.2895	0.3135		0.3028	0.3304		0.3205	0.3481		0.3376	0.3616		0.3551	0.376
	0.292	0.306		0.3048	0.3207		0.3213	0.3373		0.3371	0.349		0.3533	0.362
	0.2855	0.2985		0.2984	0.3133		0.313	0.329		0.329	0.3417		0.3451	0.3554
AL1	0.2874	0.276	BL1	0.298	0.288	CL1	0.3093	0.2993	DL1	0.3231	0.312	EL1	0.3361	0.3245
	0.283	0.284		0.295	0.297		0.3068	0.3113		0.3222	0.3243		0.3366	0.3369
	0.289	0.2905		0.3009	0.3042		0.3144	0.3186		0.329	0.33		0.344	0.3428
	0.2925	0.282		0.3037	0.2937		0.3161	0.3059		0.329	0.318		0.3429	0.3307
	0.2874	0.276		0.298	0.288		0.3093	0.2993		0.3231	0.312		0.3361	0.3245
AL2	0.2925	0.282	BL2	0.3037	0.2937	CL2	0.3161	0.3059	DL2	0.329	0.318	EL2	0.3429	0.3307
	0.289	0.2905		0.3009	0.3042		0.3144	0.3186		0.329	0.33		0.344	0.3428
	0.295	0.297		0.3068	0.3113		0.3221	0.3261		0.3366	0.3369		0.3515	0.3487
	0.298	0.288		0.3093	0.2993		0.3231	0.312		0.3361	0.3245		0.3495	0.3339
	0.2925	0.282		0.3037	0.2937		0.3161	0.3059		0.329	0.318		0.3429	0.3307
AU1	0.275	0.298	BU1	0.2895	0.3135	CU1	0.3028	0.3304	DU1	0.3207	0.3462	EU1	0.3376	0.3616
	0.2718	0.3036		0.2864	0.3221		0.3005	0.3415		0.3196	0.3602		0.3381	0.3762
	0.279	0.313		0.2937	0.3312		0.3099	0.3509		0.329	0.369		0.348	0.384
	0.28225	0.30575		0.2962	0.322		0.3115	0.3391		0.329	0.3538		0.3463	0.3687
	0.275	0.298		0.2895	0.3135		0.3028	0.3304		0.3207	0.3462		0.3376	0.3616
AU2	0.28225	0.30575	BU2	0.2962	0.322	CU2	0.3115	0.3391	DU2	0.329	0.3538	EU2	0.3463	0.3687
	0.279	0.313		0.2937	0.3312		0.3099	0.3509		0.329	0.369		0.348	0.384
	0.2864	0.3221		0.3005	0.3415		0.3196	0.3602		0.3381	0.3762		0.3571	0.3907
	0.2895	0.3135		0.3028	0.3304		0.3205	0.3481		0.3376	0.3616		0.3551	0.376
	0.28225	0.30575		0.2962	0.322		0.3115	0.3391		0.329	0.3538		0.3463	0.3687
FA	0.3512	0.3465	GA	0.367	0.3578	HA	0.3889	0.369	JA	0.4147	0.3814	KA	0.4373	0.3893
	0.353	0.3597		0.3702	0.3722		0.3941	0.3848		0.4221	0.3984		0.4465	0.4071
	0.3615	0.3659		0.3825	0.3798		0.408	0.3916		0.4342	0.4028		0.4582	0.4099
	0.359	0.3521		0.3783	0.3646		0.4017	0.3751		0.4259	0.3853		0.4483	0.3919
	0.3512	0.3465		0.367	0.3578		0.3889	0.369		0.4147	0.3814		0.4373	0.3893
FB	0.359	0.3521	GB	0.3783	0.3646	HB	0.4017	0.3751	JB	0.4259	0.3853	KB	0.4483	0.3919
	0.3615	0.3659		0.3825	0.3798		0.408	0.3916		0.4342	0.4028		0.4582	0.4099
	0.3702	0.3722		0.395	0.3875		0.4221	0.3984		0.4465	0.4071		0.47	0.4126
	0.367	0.3578		0.3898	0.3716		0.4147	0.3814		0.4373	0.3893		0.4593	0.3944
	0.359	0.3521		0.3783	0.3646		0.4017	0.3751		0.4259	0.3853		0.4483	0.3919
FC	0.353	0.3597	GC	0.3702	0.3722	HC	0.3941	0.3848	JC	0.4221	0.3984	KC	0.4465	0.4071
	0.3615	0.3659		0.3825	0.3798		0.408	0.3916		0.4342	0.4028		0.4582	0.4099
	0.359	0.3521		0.3783	0.3646		0.4017	0.3751		0.4259	0.3853		0.4483	0.3919
	0.3512	0.3465		0.367	0.3578		0.3889	0.369		0.4147	0.3814		0.4373	0.3893
	0.353	0.3597		0.3702	0.3722		0.3941	0.3848		0.4221	0.3984		0.4465	0.4071
FD	0.3615	0.3659	GD	0.3825	0.3798	HD	0.408	0.3916	JD	0.4342	0.4028	KD	0.4582	0.4099
	0.3641	0.3804		0.3869	0.3958		0.4146	0.4089		0.443	0.4212		0.4687	0.4289
	0.3736	0.3874		0.4006	0.4044		0.4299	0.4165		0.4562	0.426		0.4813	0.4319
	0.3702	0.3722		0.395	0.3875		0.4221	0.3984		0.4465	0.4071		0.47	0.4126
	0.3615	0.3659		0.3825	0.3798		0.408	0.3916		0.4342	0.4028		0.4582	0.4099
FL1	0.3495	0.3339	GL1	0.364	0.344	HL1	0.3846	0.3557	JL1	0.4073	0.3715	KL1	0.4281	0.3715
	0.3512	0.3465		0.367	0.3578		0.3889	0.369		0.4147	0.3814		0.4373	0.3893
	0.359	0.3521		0.3783	0.3646		0.4017	0.3751		0.4259	0.3853		0.4483	0.3919
	0.3567	0.3389		0.3741	0.3494		0.3954	0.3586		0.4176	0.3678		0.4384	0.3739
	0.3495	0.3339		0.364	0.344		0.3846	0.3557		0.4073	0.3715		0.4281	0.3715
FL2	0.3567	0.3389	GL2	0.3741	0.3494	HL2	0.3954	0.3586	JL2	0.4176	0.3678	KL2	0.4384	0.3739
	0.359	0.3521		0.3783	0.3646		0.4017	0.3751		0.4259	0.3853		0.4483	0.3919
	0.367	0.3578		0.3898	0.3716		0.4147	0.3814		0.4373	0.3893		0.4593	0.3944
	0.364	0.344		0.3846	0.3557		0.4073	0.3644		0.4281	0.3715		0.4486	0.3762
	0.3567	0.3389		0.3741	0.3494		0.3954	0.3586		0.4176	0.3678		0.4384	0.3739
FU1	0.3548	0.3736	GU1	0.3736	0.3874	HU1	0.3996	0.4015	JU1	0.4299	0.4165	KU1	0.4562	0.426
	0.3571	0.3907		0.3771	0.4034		0.4062	0.4213		0.4377	0.4346		0.4659	0.4449
	0.3668	0.3957		0.3913	0.4118		0.4212	0.4262		0.4518	0.4396		0.4792	0.4479
	0.3641	0.3804		0.3869	0.3958		0.4146	0.4089		0.443	0.4212		0.4687	0.4289
	0.3548	0.3736		0.3736	0.3874		0.3996	0.4015		0.4299	0.4165		0.4562	0.426
FU2	0.3641	0.3804	GU2	0.3869	0.3958	HU2	0.4146	0.4089	JU2	0.443	0.4212	KU2	0.4687	0.4289
	0.3668	0.3957		0.3913	0.4118		0.4212	0.4262		0.4518	0.4396		0.4792	0.4479
	0.3771	0.4034		0.4062	0.4213		0.4377	0.4346		0.4659	0.4449		0.4926	0.4512
	0.3736	0.3874		0.4006	0.4044		0.4299	0.4165		0.4562	0.426		0.4813	0.4319
	0.3641	0.3804		0.3869	0.3958		0.4146	0.4089		0.443	0.4212		0.4687	0.4289

Note: It maintains a tolerance of x,y ±0.005

Official Product	HT Part No. T1571DND-60P-000112			
Tentative Product	*****		*****	
Specifications are subject to changes for improvement without advance notice. Proprietary data, drawings, company confidential all rights reserved.			08/05/2013	Version 1.0 Page 7/17

Chromaticity Coordinate:



Official Product	HT Part No. T1571DND-60P-000112		
Tentative Product	*****	*****	*****
Specifications are subject to changes for improvement without advance notice. Proprietary data, drawings, company confidential all rights reserved.	08/05/2013	Version 1.0	Page 8/17

Forward Voltage (Vf) Bin:

Color	Bin Code	Spec. Range
White	H1	2.8-2.9V
	H2	2.9-3.0V
	H3	3.0-3.1V
	H4	3.1-3.2V
	J1	3.2-3.3V
	J2	3.3-3.4V
	J3	3.4-3.5V

Note: It maintains a tolerance of $\pm 0.05V$ on forward voltage measurements

Official Product	HT Part No. T1571DND-60P-000112		
Tentative Product	*****	*****	*****
Specifications are subject to changes for improvement without advance notice. Proprietary data, drawings, company confidential all rights reserved.		08/05/2013	Version 1.0 Page 9/17

Product Features

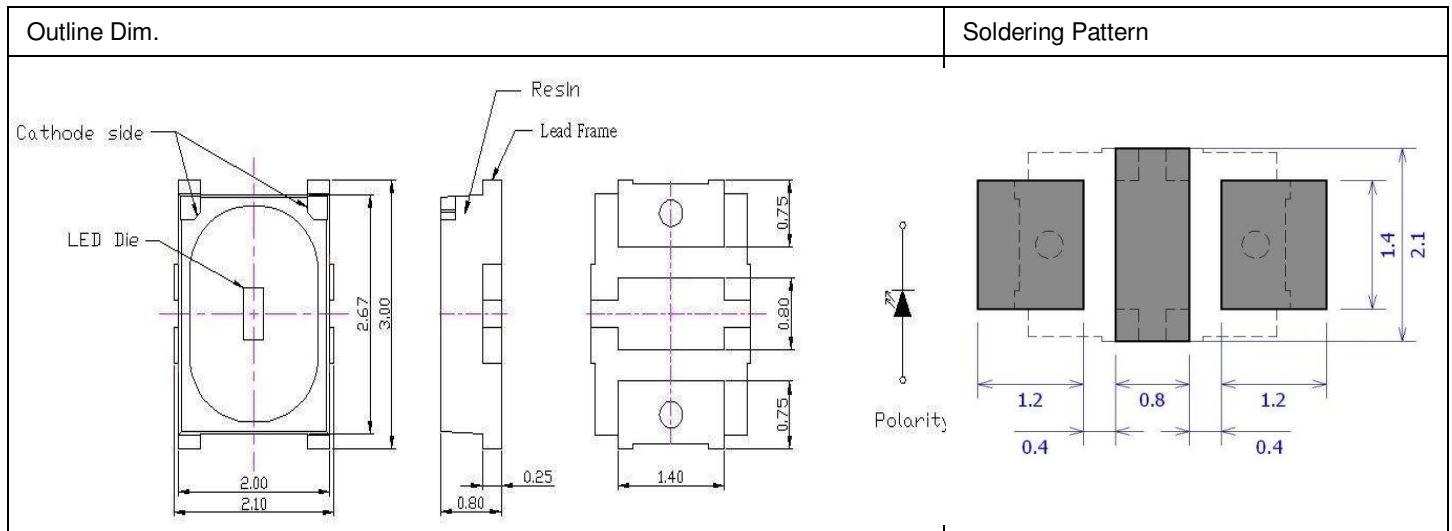
Electro-Optical Characteristics

(I_F @ 60mA, T_{Soldering} , 25 °C)

Series	Emitting Color	Material	V _F (V)		Correlated Color Temperature			I _v (Lux)	Viewing Angle
			typ	max	min	typ	max	Typical	2θ _{1/2}
T1571DND-60	Cold White	InGaN	2.8	3.5	5300	5000	6500	23	90
T1571DND-60	Nature White	InGaN	2.8	3.5	3750	4000	4250	22	90
T1571DND-60	Warm White	InGaN	2.8	3.5	2750	3000	3250	21	90

Package Outline Dimension and Recommended Soldering Pattern for Reflow Soldering

(Unit:mm Tolerance: +/-0.25)



Soldering terminals may shift in the x, y direction.

Official Product	HT Part No. T1571DND-60P-000112		
Tentative Product	*****	*****	*****
Specifications are subject to changes for improvement without advance notice. Proprietary data, drawings, company confidential all rights reserved.	08/05/2013	Version 1.0	Page 10/17

Absolute Maximum Ratings

($I_F @ 60\text{mA}$, $T_{\text{Soldering}} 25^\circ\text{C}$)

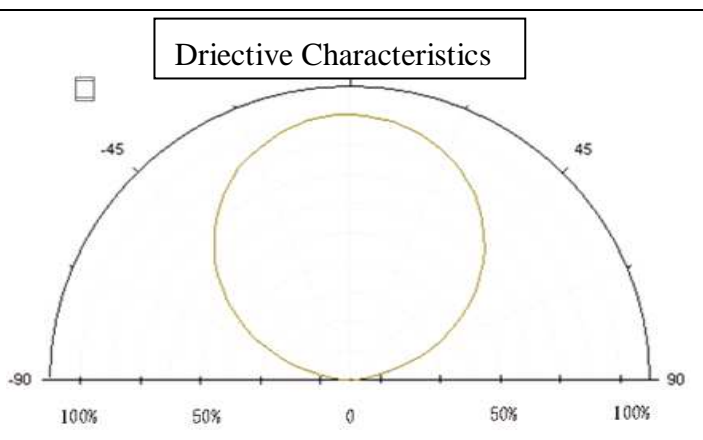
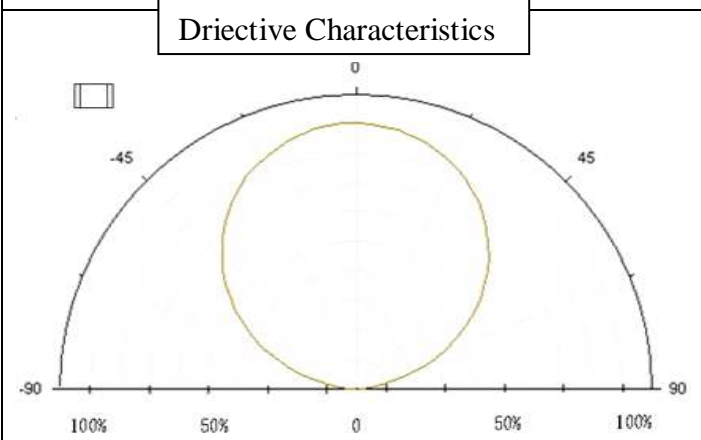
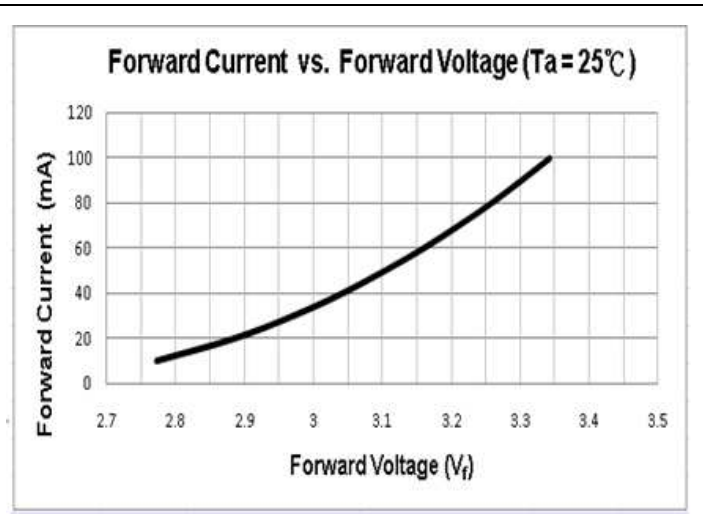
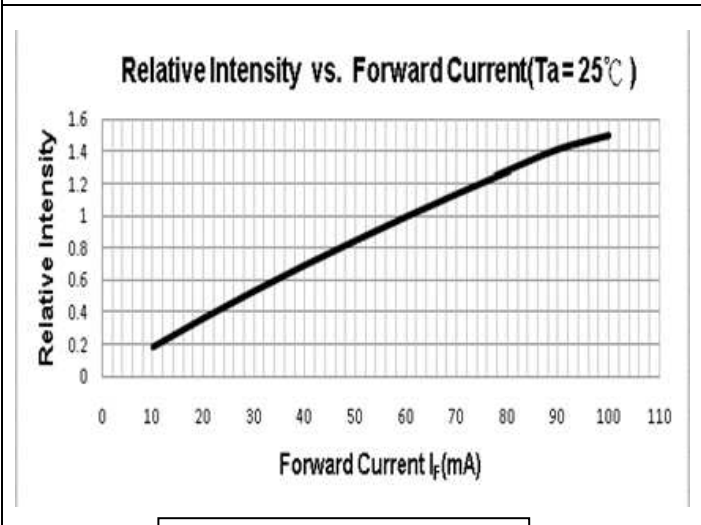
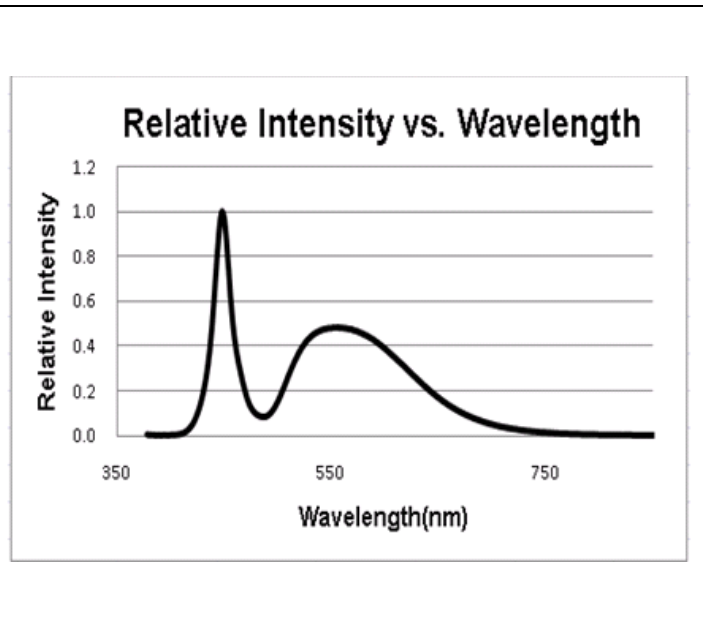
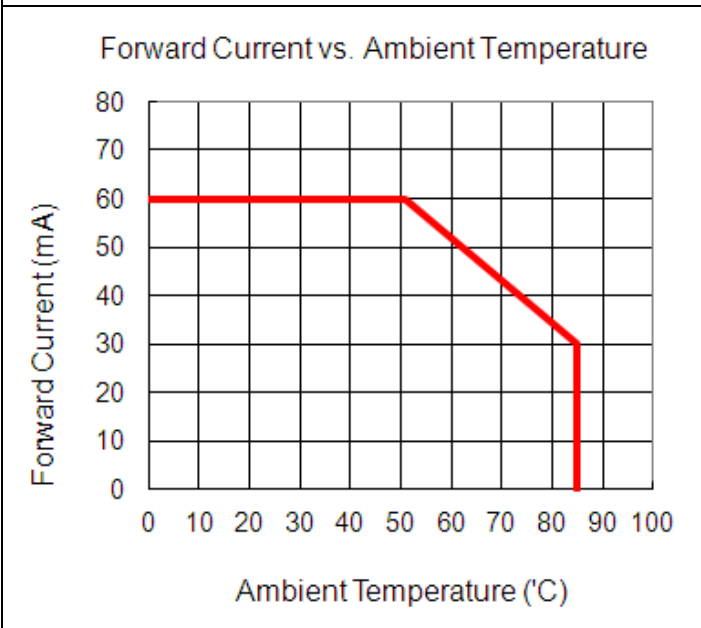
Series	P_D (mW)	V_R (V)	I_F (mA)	I_{FP} (mA)**	T_{OP} ($^\circ\text{C}$)	T_{ST} ($^\circ\text{C}$)
Color	Power Dissipation	Reverse Voltage	Forward Current	Peak Forward Current	Operating Temperature	Storage Temperature
Warm White	210	5	60	150	-40~+85	-40~+100
Natural White	210	5	60	150	-40~+85	-40~+100
Cold White	210	5	60	150	-40~+85	-40~+100

** Condition for I_{FP} is pulse of 1/10 duty and 0.1msec width

※Remarks: This product should be operated in forward bias.If a reverse voltage is continuously applied to the product, such operation can cause migration resulting in LED damage.

Official Product	HT Part No. T1571DND-60P-000112		
Tentative Product	*****	*****	*****
Specifications are subject to changes for improvement without advance notice. Proprietary data, drawings, company confidential all rights reserved.		08/05/2013	Version 1.0 Page 11/17

Characteristics of T1571DND



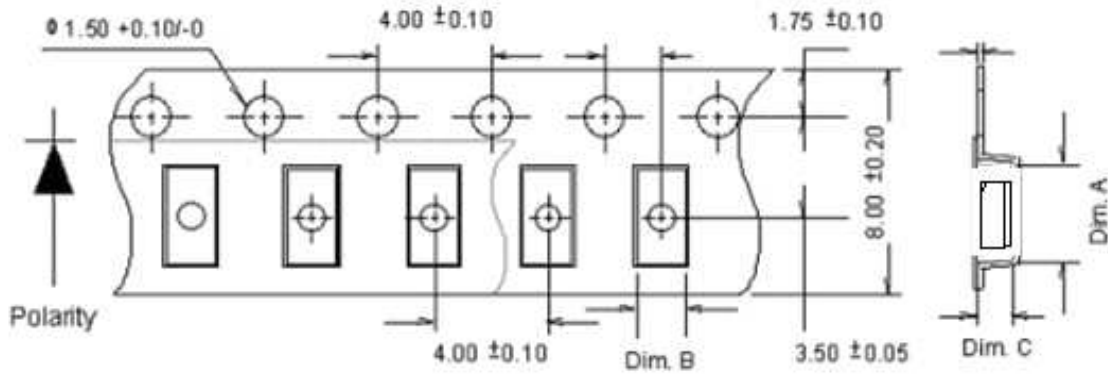
Official Product	HT Part No. T1571DND-60P-000112		
Tentative Product	*****	*****	*****
Specifications are subject to changes for improvement without advance notice. Proprietary data, drawings, company confidential all rights reserved.	08/05/2013	Version 1.0	Page 12/17

Precaution for Use

1. The chips should not be used directly in any type of fluid such as water, oil, organic solvent, etc.
2. When the LEDs are illuminating, the maximum ambient temperature should be first considered before operation.
3. LEDs must be stored in a clean environment. A sealed container with a nitrogen atmosphere is necessary if the storage period is over 3 months after shipping.
4. The LEDs must be used within seven days after unpacked. Unused products must be repacked in an anti-electrostatic package, folded to close any opening and then stored in a dry and cool space.
5. The appearance and specifications of the products may be modified for improvement without further notice.
6. The LEDs are sensitive to the static electricity and surge. It is strongly recommended to use a grounded wrist band and anti-electrostatic glove when handling the LEDs. If a voltage over the absolute maximum rating is applied to LEDs, it will damage LEDs. Damaged LEDs will show some abnormal characteristics such as remarkable increase of leak current, lower turn-on voltage and getting unlit at low current.

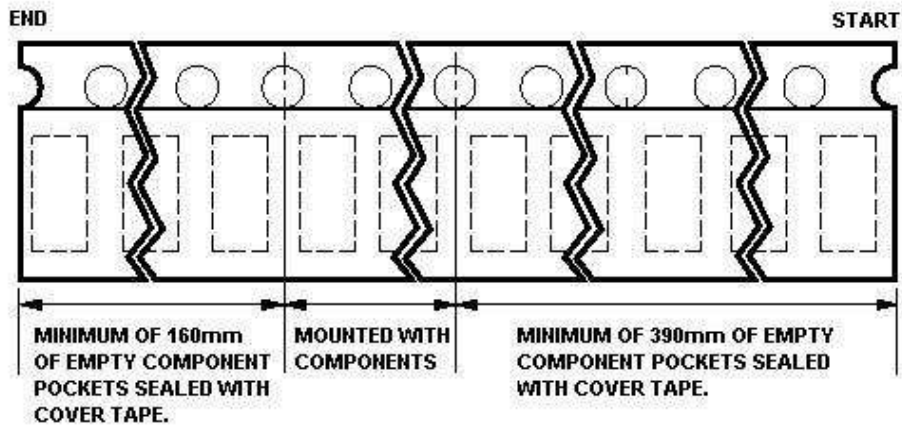
Official Product	HT Part No. T1571DND-60P-000112		
Tentative Product	*****	*****	*****
Specifications are subject to changes for improvement without advance notice. Proprietary data, drawings, company confidential all rights reserved.		08/05/2013	Version 1.0 Page 13/17

Packaging Tape Dimension



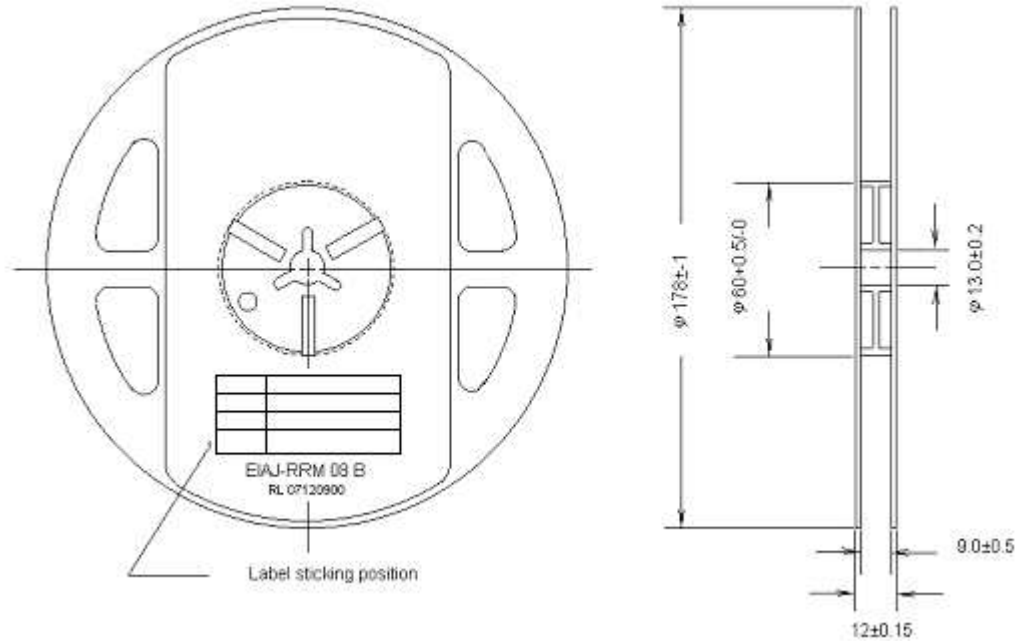
Part No.	Dim. A	Dim. B	Dim. C	Q'ty/Reel
HT-T1571	2.18±0.05	3.18±0.1	1.00±0.05	2K

Unit: mm

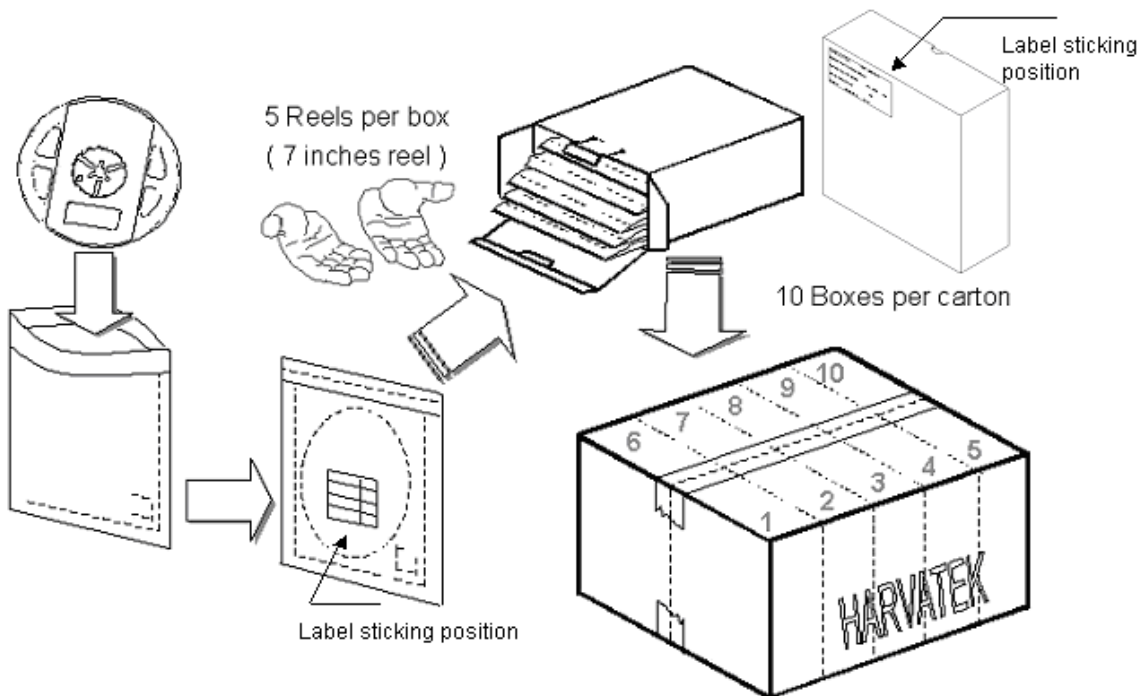


Official Product	HT Part No. T1571DND-60P-000112		
Tentative Product	*****	*****	*****
Specifications are subject to changes for improvement without advance notice. Proprietary data, drawings, company confidential all rights reserved.		08/05/2013	Version 1.0 Page 14/17

Reel Dimension



Packing



5 boxes per carton is available depending on shipment quantity.

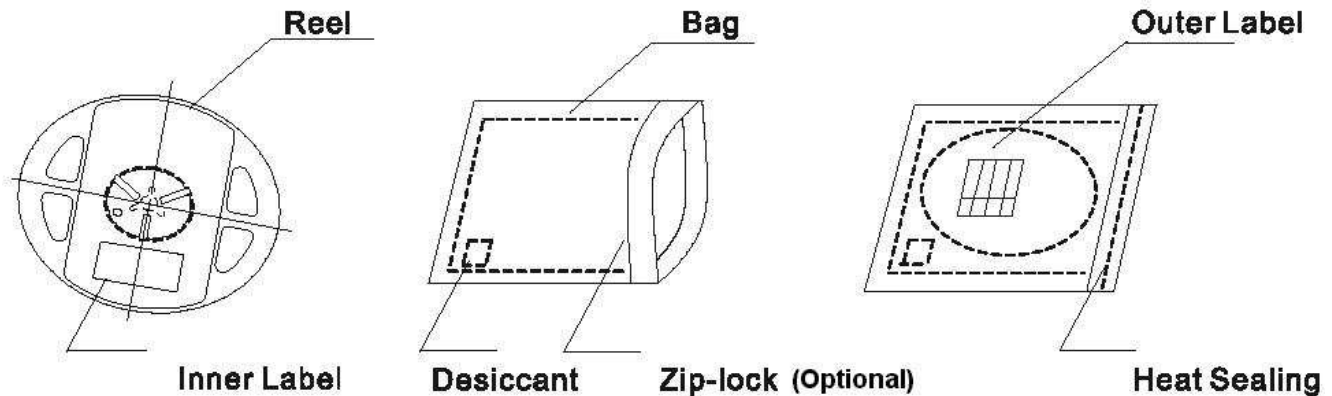
Official Product	HT Part No. T1571DND-60P-000112		
Tentative Product	*****	*****	*****
Specifications are subject to changes for improvement without advance notice. Proprietary data, drawings, company confidential all rights reserved.	08/05/2013	Version 1.0	Page 15/17

Dry Pack

All SMD optical devices are **MOISTURE SENSITIVE**. Avoid exposure to moisture at all times during transportation or storage. Every reel is packaged in a moisture protected anti-static bag. Each bag is properly sealed prior to shipment.

Upon request, a humidity indicator will be included in the moisture protected anti-static bag prior to shipment.

The packaging sequence is as follows:



Baking

Baking before soldering is recommended when the package has been unsealed for 72 hours.

The conditions are as followings:

1. $60\pm 3^{\circ}\text{C} \times (12\sim 24\text{hrs})$ and $<5\%RH$, taped reel type.
2. $100\pm 3^{\circ}\text{C} \times (45\text{min}\sim 1\text{hr})$, bulk type.
3. $130\pm 3^{\circ}\text{C} \times (15\text{min}\sim 30\text{min})$, bulk type.

Precautions

1. Avoid exposure to moisture at all times during transportation or storage.
2. Anti-Static precaution must be taken when handling GaN, InGaN, and AlInGaP products.
3. It is suggested to connect the unit with a current limiting resistor of the proper size. Avoid applying a reverse voltage beyond the specified limit.
4. Avoid operation beyond the limits as specified by the absolute maximum ratings.
5. Avoid direct contact with the surface through which the LED emits light.
6. If possible, assemble the unit in a clean room or dust-free environment.

Official Product	HT Part No. T1571DND-60P-000112		
Tentative Product	*****	*****	*****
Specifications are subject to changes for improvement without advance notice. Proprietary data, drawings, company confidential all rights reserved.	08/05/2013	Version 1.0	Page 16/17

Handling of Silicone Resin LEDs

Handling Indications

During processing, mechanical stress on the surface should be minimized as much as possible.

Sharp objects of all types should not be used to pierce the sealing compound.



Figure 1

In general, LEDs should only be handled from the side. By the way ,this also applies to LEDs without a silicone sealant, since the surface can also become scratched.

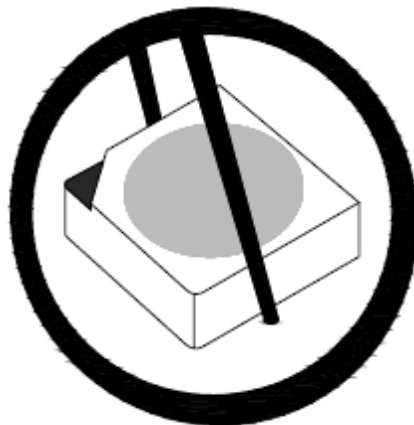


Figure 2

When populating boards in SMT production, there are basically no restrictions regarding the from of the pick and place nozzle, except that mechanical pressure on the surface of the resin must be prevented.

This is assured by choosing a pick and place nozzle which is large than LEDs reflector area.

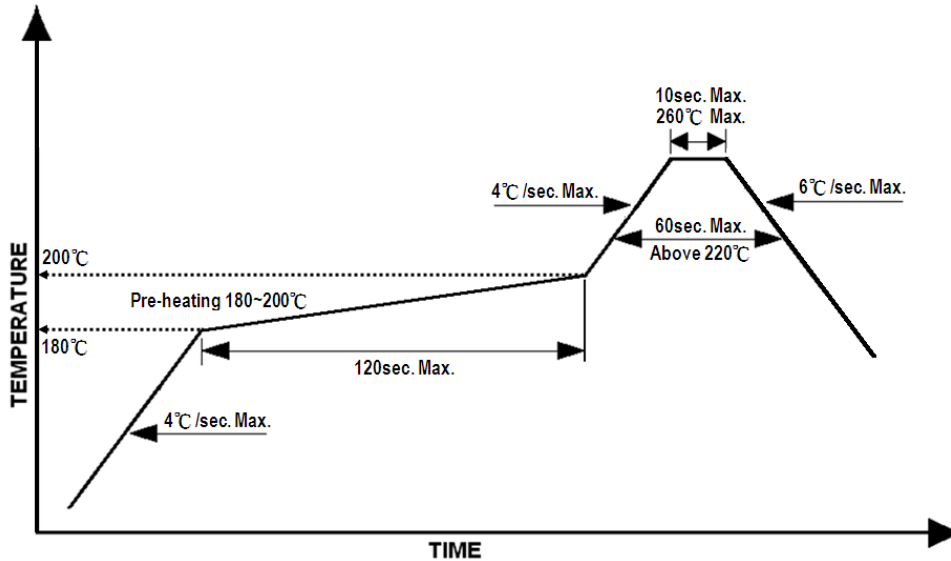
Official Product	HT Part No. T1571DND-60P-000112		
Tentative Product	*****	*****	*****
Specifications are subject to changes for improvement without advance notice. Proprietary data, drawings, company confidential all rights reserved.		08/05/2013	Version 1.0 Page 17/17

Reflow Soldering

Recommend soldering paste specifications:

1. Operating temp.: Above 220 °C ,60 sec.
2. Peak temp.:260 °CMax.,10sec Max.
3. Reflow soldering should not be done more than two times.
4. Never attempt next process until the component is cooled down to room temperature after reflow.
5. The recommended reflow soldering profile (measured on the surface of the LED terminal) is as following:

Lead-free Solder Profile



Reworking

- Rework should be completed within 5 seconds under 260 °C.
- The iron tip must not come in contact with the copper foil.
- Twin-head type is preferred.

Cleaning

Following are cleaning procedures after soldering:

- An alcohol-based solvent such as isopropyl alcohol (IPA) is recommended.
- Temperature x Time should be 50°C x 30sec. or <30°C x 3min
- Ultrasonic cleaning: < 15W/ bath; bath volume ≤ 1liter
- Curing: 100 °C max, <3min

Official Product	HT Part No. T1571DND-60P-000112		
Tentative Product	*****	*****	*****
Specifications are subject to changes for improvement without advance notice. Proprietary data, drawings, company confidential all rights reserved.	08/05/2013	Version 1.0	Page 18/17

