

Harvatek P3 Display Module Data Sheet

Model: HT-A0300540

Acknowledged by

Stanley

Tech

Engineer
Production Engineering Dept.

Section Manager
Production Engineering Dept.

Official Product	HT Part No. HT-A0300540	Your Part No.		Data Sheet No.
Tentative Product		*****		
Specifications are subject to changes for improvement without advance notice. Proprietary data, drawings, and company confidential all rights reserved.		2011/12/27	Version 1.0	Page 1/7

Content :	Page
Application Field.....	3
Features.....	3
Specification.....	3
P3 Display Module Outline Dimension.....	4
System Configuration	5
Matrix/Dimension Calculator.....	5
Packing Specification.....	6
Revision History.....	7

Official Product	HT Part No. HT-A0300540	Your Part No.		Data Sheet No.
Tentative Product		*****		
Specifications are subject to changes for improvement without advance notice. Proprietary data, drawings, and company confidential all rights reserved.		2011/12/27	Version 1.0	Page 2/7

- **Application Field**

HT-A0300540 module specification for Display application.

- **Features**

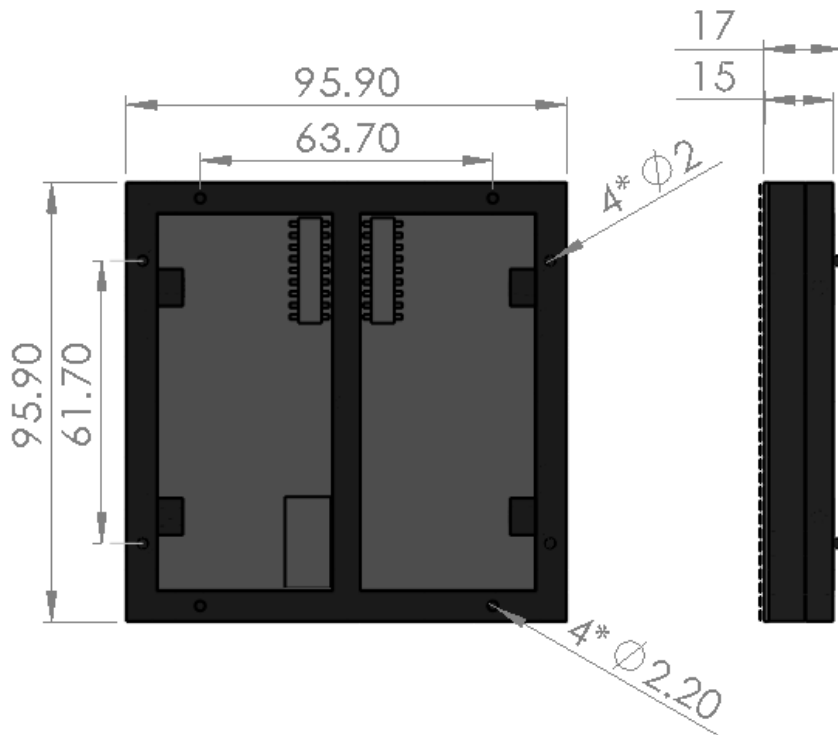
- ◆ 32 x 32 HT-2020 full color RGB display module
- ◆ High brightness fine pitch 3mm module
- ◆ 1/16 Scan rate with LED driver ICs built-in
- ◆ Compatible with most display controller system
- ◆ Front-repaired with seamless mechanical design

- **Specification**

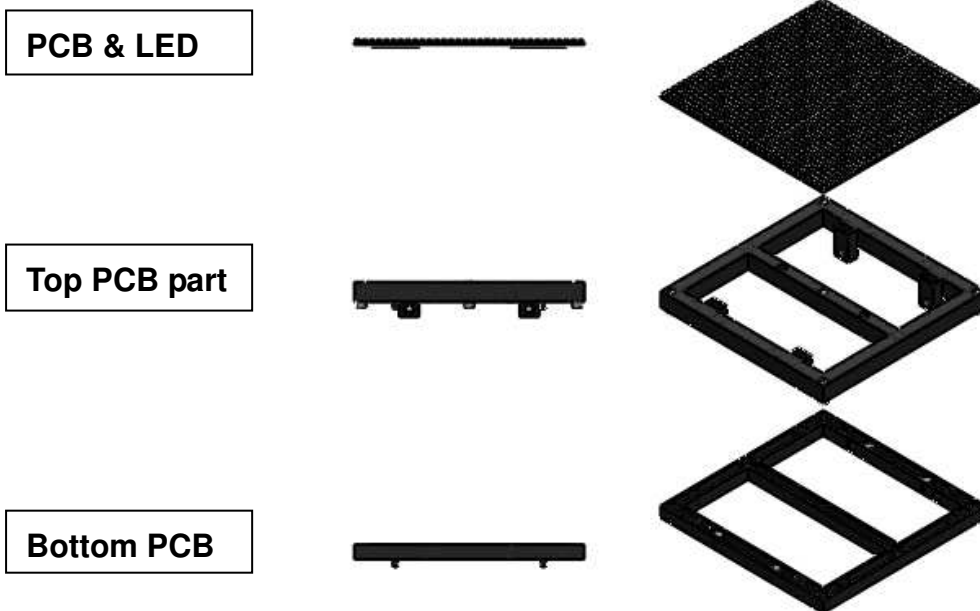
Characteristics	Specification
Pixel Pitch	3mm
Brightness	Nits 1,500 above
LED Spec	HT-2020 RGB $\Delta \lambda \leq 5\text{nm}$
LED configuration	3 in 1 SMD
Viewing angle	120 (min50% brightness)
Contrast ratio	> 1,000 : 1
Lifetime	50,000 hrs (typical)
Resolution	32(W) Dots x 32(H) Dots = 1,024 Dots/Module
IP rating	Indoor only
Processing	12 bit/color~16 bit/color
Dimension (W x H)	96mm x 96mm
Module Weight	80g
Refresh rate (Hz)	300~1,200
Operation voltage	DC 5 Volt
Power (watt per tile)	max 22 w / average 10 w
Power (watt per m2)	max 2,662 w / average 1,330 w

Official Product	HT Part No. HT-A0300540	Your Part No.		Data Sheet No.
Tentative Product		*****		
Specifications are subject to changes for improvement without advance notice. Proprietary data, drawings, and company confidential all rights reserved.		2011/12/27	Version 1.0	Page 3/7

● P3 Display Module Outline Dimension

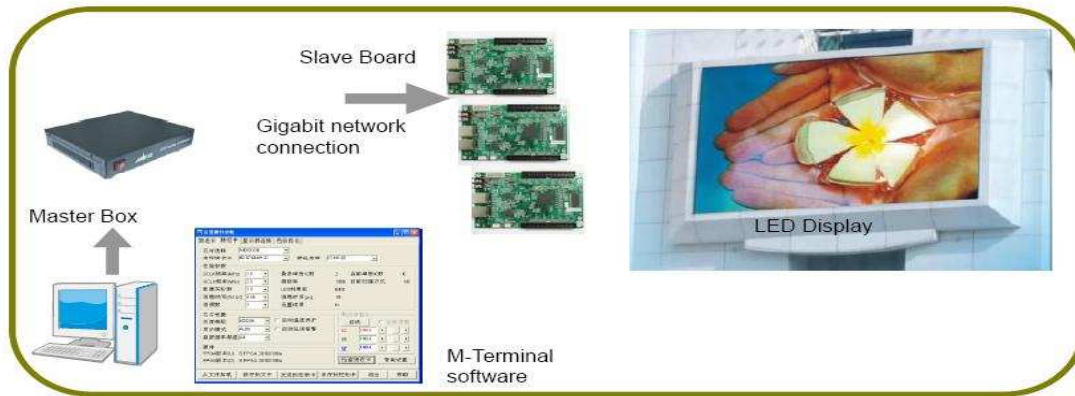


Unit:mm



Official Product	HT Part No. HT-A0300540	Your Part No.		Data Sheet No.
Tentative Product		*****		
Specifications are subject to changes for improvement without advance notice. Proprietary data, drawings, and company confidential all rights reserved.		2011/12/27	Version 1.0	Page 4/7

● System Configuration



● Matrix/Dimension Calculator

Cabinet width (in)	3.7	7.4	11.1	14.8	18.5	22.2	25.9	29.6	33.3	37	40.7	44.4	48.1	51.8
Pixel width	32	64	96	128	160	192	224	256	288	320	352	384	416	448
Cabinet height (in)	3.7	7.4	11.1	14.8	18.5	22.2	25.9	29.6	33.3	37	40.7	44.4	48.1	51.8
Pixel height	32	64	96	128	160	192	224	256	288	320	352	384	416	448

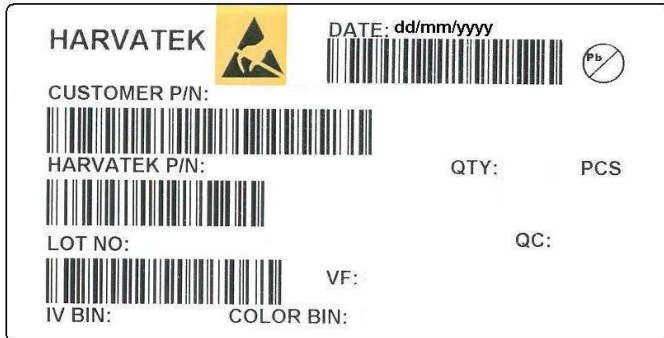
Matrix/Dimension Calculator
 Use this chart to convert display dimensions(cabinet height&width) to pixel matrix values

Example: 29.6" x 29.6" = 256x256 Matrix

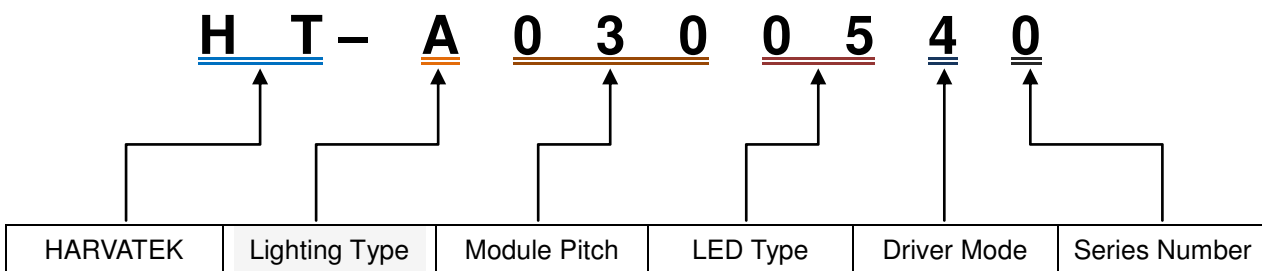
Official Product	HT Part No. HT-A0300540	Your Part No.		Data Sheet No.
Tentative Product		*****		
Specifications are subject to changes for improvement without advance notice. Proprietary data, drawings, and company confidential all rights reserved.		2011/12/27	Version 1.0	Page 5/7

● Packing Specification

1. Label Spec.



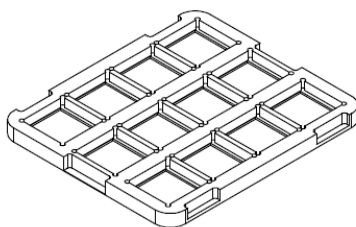
2. Harvatek Model Name Packaging



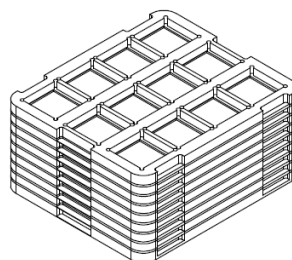
3. Packaging

Use ESD Tray.

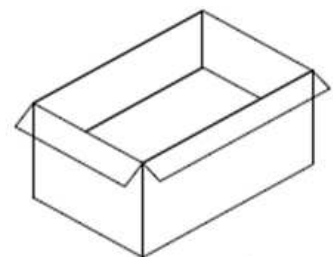
4. Package Dimensions



Tray from box =12pcs
Tray size:
L470*W410*29(mm)



Trays per inner box=98pcs
BOX size:
480*420*275(mm)



Official Product	HT Part No. HT-A0300540	Your Part No.		Data Sheet No.
Tentative Product		*****		
Specifications are subject to changes for improvement without advance notice. Proprietary data, drawings, and company confidential all rights reserved.		2011/12/27	Version 1.0	Page 6/7

● **Revision History**

Changes since last version	Page	Version No.	Revision Date
Initial		1.0	2011/12/27

Official Product	HT Part No. HT-A0300540	Your Part No.		Data Sheet No.
Tentative Product		*****		
Specifications are subject to changes for improvement without advance notice. Proprietary data, drawings, and company confidential all rights reserved.		2011/12/27	Version 1.0	Page 7/7