

T8 LED Tube
Specification Sheet
Model: OW - T8AA4010 - XX

Prepared by

Approved by

ChengHau Chen

Rois

Production Engineering Dept.

Production Engineering Dept.

| | | | | |
|---|-------------------------|---------------|------------|----------------|
| Official Product | HT Part No. OW-T8AA4010 | Your Part No. | | Data Sheet No. |
| Tentative Product | | ***** | | |
| Specifications are subject to changes for improvement without advance notice. Proprietary data, drawings, and company confidential all rights reserved. | | 2012/10/16 | Version 01 | Page 1/10 |

| | |
|---|-------------|
| CONTENTS : | Page |
| 1. REVISION HISTORY..... | 3 |
| 2. GENERAL DESCRIPTION..... | 4 |
| 2.1 Overview..... | 4 |
| 2.2 General Specifications..... | 5 |
| 2.3 Dimensions..... | 6 |
| 3. CHARACTERISTICS..... | 6 |
| 3.1 Electronic Characteristics..... | 6 |
| 3.2 Optical Characteristics..... | 7 |
| 3.3 Optical Test Method and Measurement Procedures..... | 7 |
| 3.4 Other..... | 9 |
| 4. PACKAGE..... | 10 |

| | | | | |
|---|-------------------------|---------------|------------|----------------|
| Official Product | HT Part No. OW-T8AA4010 | Your Part No. | | Data Sheet No. |
| Tentative Product | | ***** | | |
| Specifications are subject to changes for improvement without advance notice. Proprietary data, drawings, and company confidential all rights reserved. | | 2012/10/16 | Version 01 | Page 2/10 |

1. REVISION HISTORY

| Model Name | | | OW-T8AA4010-XX |
|------------|------------|---------|----------------|
| Rev. | Date | Section | Description |
| 1 | 2012/10/16 | All | Preliminary |
| | | | |
| | | | |
| | | | |
| | | | |
| | | | |
| | | | |
| | | | |
| | | | |
| | | | |

| | | | | |
|---|-------------------------|---------------|------------|----------------|
| Official Product | HT Part No. OW-T8AA4010 | Your Part No. | | Data Sheet No. |
| Tentative Product | | ***** | | |
| Specifications are subject to changes for improvement without advance notice. Proprietary data, drawings, and company confidential all rights reserved. | | 2012/10/16 | Version 01 | Page 3/10 |

2. GENERAL DESCRIPTION

2.1 Overview, 產品特性

- Aluminum heat-sink
鋁擠式散熱體
- Meet traditional G13 socket
符合傳統 G13 燈座
- Energy saving than traditional fluorescent lamps 40%~50%
較傳統燈管節能 40%至 50%
- ECO-Friendly. CO2 reduction, Mercury-free, No UV light
符合綠色環保,減少二氧化碳排放,無汞汙染及無紫外線傷害
- Meet CNS indoor lighting standard ,No Flicker
燈光照度符合國家室內照明標準,不刺眼、不眩光、不閃爍
- Compliance with CE standard regulations
符合 CE 標準

| | | | | |
|---|-------------------------|---------------|------------|----------------|
| Official Product | HT Part No. OW-T8AA4010 | Your Part No. | | Data Sheet No. |
| Tentative Product | | ***** | | |
| Specifications are subject to changes for improvement without advance notice. Proprietary data, drawings, and company confidential all rights reserved. | | 2012/10/16 | Version 01 | Page 4/10 |

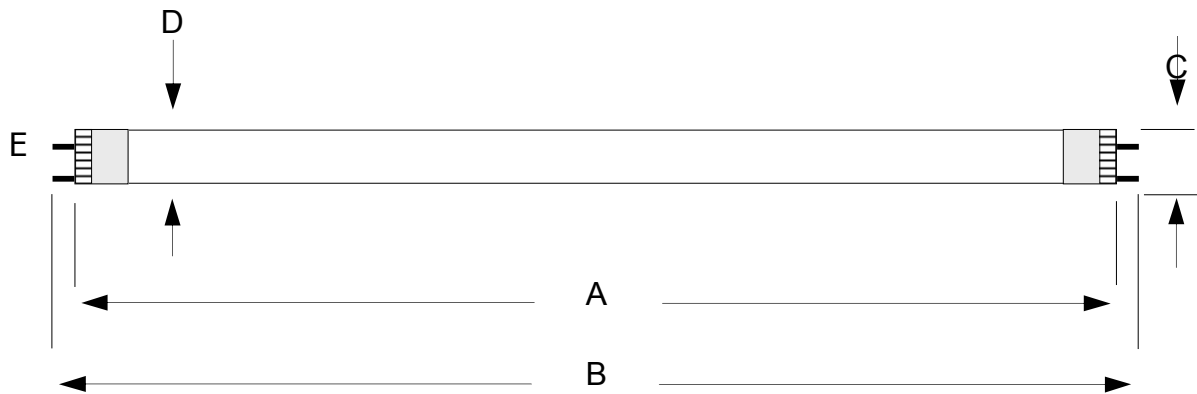
2.2 General Specifications, 產品規格

| Item | Specification | | Unit | Note |
|------------------------------|-----------------------|-----------------------|------|------|
| Model Name 品號 | OW-T8AA4010-40 | OW-T8AA4010-60 | - | - |
| Color Temperature 色溫 | 4000K (3750~4250K) | 6000K (5750~6250K) | K | |
| Color Rendering Index 演色性 | 70 | | - | |
| Luminous Flux 光通量 | 1700±150 | 1700±150 | lm | |
| Power Consumption 消耗功率 | 18±2 | | W | |
| AC Input Voltage AC輸入電壓 | 100 ~ 240 | | Vac | - |
| P.F. 功率因數 | >0.9 | | | |
| Life Time 壽命 | 20,000 | | hr | (1) |
| Width or Diameter 長度 / 直徑 | L 1198 / D 28 | | mm | |
| Weight 重量 | 420 | | g | |

Note (1) The function will not fail ,@ 25°C

| | | | | |
|---|-------------------------|---------------|------------|----------------|
| Official Product | HT Part No. OW-T8AA4010 | Your Part No. | | Data Sheet No. |
| Tentative Product | | ***** | | |
| Specifications are subject to changes for improvement without advance notice. Proprietary data, drawings, and company confidential all rights reserved. | | 2012/10/16 | Version 01 | Page 5/10 |

2.3 Dimensions, 尺寸



| | A | B | C | D | E |
|-----------|---------|--------|-------|-------|-----|
| 4 feet(呎) | 1198 mm | 1212mm | 30 mm | 28 mm | G13 |

※ : Tolerance is according to mechanical drawing unless otherwise noted

3. CHARACTERISTICS

3.1 Electronic Characteristics, 電氣規格

| | OW-T8AA4010-40 / OW-T8AA4010-60 |
|---------------------------------|---------------------------------|
| Input Voltage 輸入電壓 | 100 ~ 240Vac |
| P.F.(Consumption) ※ 功率因數 | > 90% |
| Power Consumption(W) ※ 消耗功率 | 18±2W(瓦) |
| Storage Temperature 儲存環境溫度 | -40°C ~ 80°C |
| Operating Temperature 使用環境溫度 | -30°C ~ 45°C |

※ : Tolerance is ± 10% unless otherwise noted

| | | | |
|---|-------------------------|---------------|----------------|
| Official Product | HT Part No. OW-T8AA4010 | Your Part No. | Data Sheet No. |
| Tentative Product | | ***** | |
| Specifications are subject to changes for improvement without advance notice. Proprietary data, drawings, and company confidential all rights reserved. | | 2012/10/16 | Version 01 |
| | | | Page 6/10 |

3.2 Optical Characteristics, 光學規格

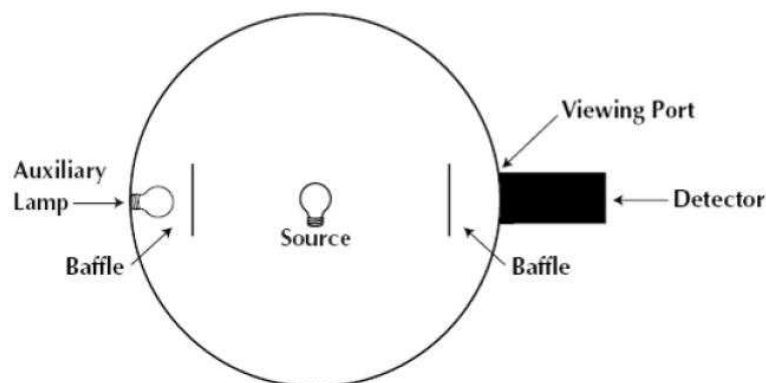
| | OW-T8AA4010-40 | OW-T8AA4010-60 |
|--|-----------------------|-----------------------|
| C.C.T. ^{※1} 色溫 | 4000K (3750~4250K) | 6000K (5750~6250K) |
| Beam Angle 發光角度 | 120°(度) | |
| C.R.I. 演色性 | 70 | |
| Luminous Flux(lm) ^{※2} 光通量(流明) | 1700lm | 1700lm |
| Life Time @25°C (LED) LED 產品使用壽命 | > 20,000 hrs(小時) | |

※1,2 Tolerance is ± 10% unless otherwise noted.

3.3 Optical Test Method and Measurement Procedures, 光學量測

(1) Integration sphere system:

| Item | Condition |
|---------------------------|---|
| Temperature 溫度 | Normal room temperature (25±2°C) |
| Humidity 濕度 | 50±10% |
| AC Input 輸入電壓 | 110 V / 60 Hz |
| Measuring instrument 量測儀器 | Integration sphere system or equivalent |



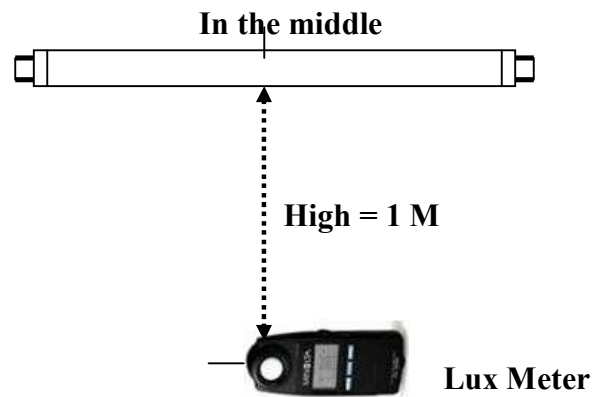
| | OW-T8AA4010-40 | OW-T8AA4010-60 |
|--------------------------------|----------------|----------------|
| Luminous Flux 光通量 [※] | 1700lm | 1700lm |

※Tolerance is ± 10% unless otherwise noted.

| | | | | |
|---|-------------------------|---------------|------------|----------------|
| Official Product | HT Part No. OW-T8AA4010 | Your Part No. | | Data Sheet No. |
| Tentative Product | | ***** | | |
| Specifications are subject to changes for improvement without advance notice. Proprietary data, drawings, and company confidential all rights reserved. | | 2012/10/16 | Version 01 | Page 7/10 |

(2) Light and chroma meter

| Item | Condition |
|----------------|----------------------------------|
| Temperature 溫度 | Normal room temperature (25±2°C) |
| Humidity 濕度 | 50±10% |
| AC Input 輸入電壓 | 110 V / 60 Hz |



| | OW-T8AA4010-40 | OW-T8AA4010-60 |
|------------------|----------------|----------------|
| Illumination 照度* | 480 lux | 500 lux |

※Tolerance is ± 10% unless otherwise noted.

| | | | | |
|---|-------------------------|---------------|------------|----------------|
| Official Product | HT Part No. OW-T8AA4010 | Your Part No. | | Data Sheet No. |
| Tentative Product | | ***** | | |
| Specifications are subject to changes for improvement without advance notice. Proprietary data, drawings, and company confidential all rights reserved. | | 2012/10/16 | Version 01 | Page 8/10 |

3.4 Other, 其他

◎Please remove the starter before installing

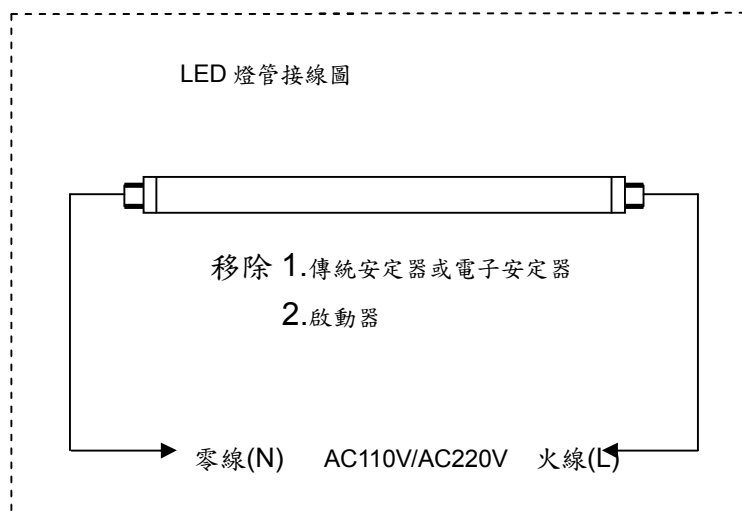
安裝前請先移除啟動器

◎Please confirm the input voltage before installing

安裝前須先確認輸入電壓

◎Note: The product cannot be used on lighting fixtures with electrical ballast's

注意：本產品不可使用在電子安定器燈具上



Steps for installing, 安裝步驟

1. Cut-off the power and have the engineers install the tubes

切斷電源，按接線圖由專業人員安裝

2. Please remove the electrical ballast's and starter before replacing the traditional fluorescent lamp

替換原有傳統 T8 燈座時須取下安定器與啟動器

3. After installing, just plug in the power and the tubes can be lighted

安裝完成直接接入市電即可

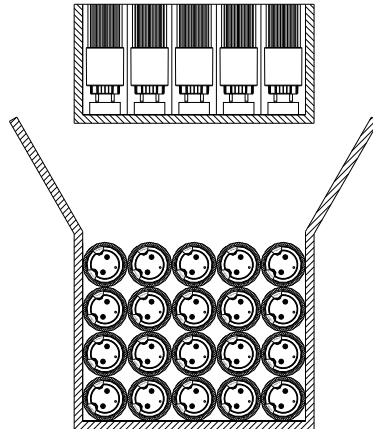
| | | | | |
|---|-------------------------|---------------|------------|----------------|
| Official Product | HT Part No. OW-T8AA4010 | Your Part No. | | Data Sheet No. |
| Tentative Product | | ***** | | |
| Specifications are subject to changes for improvement without advance notice. Proprietary data, drawings, and company confidential all rights reserved. | | 2012/10/16 | Version 01 | Page 9/10 |

4. PACKAGE

Package Drawing, 包裝圖示

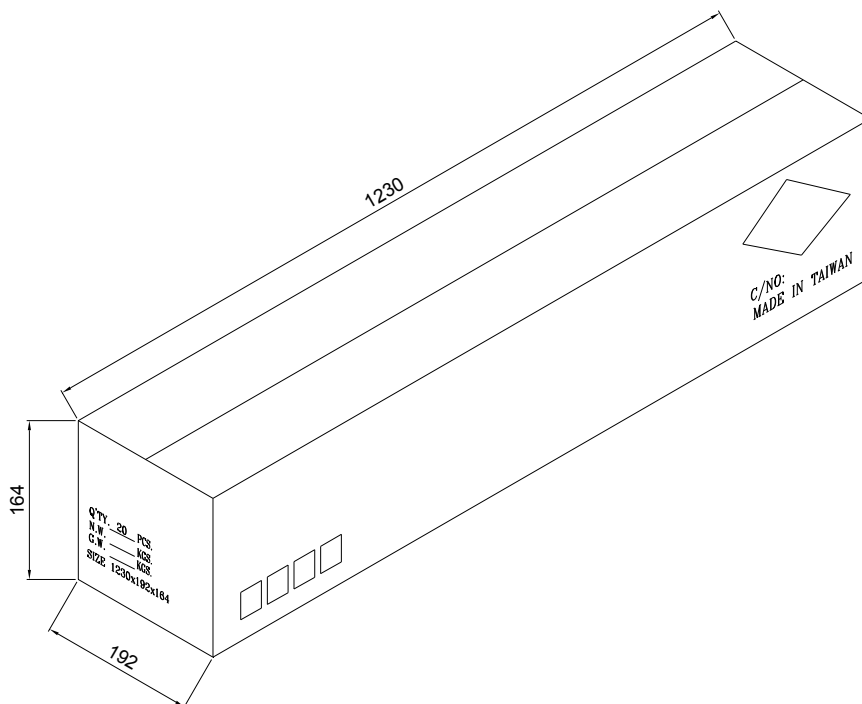
每一外箱內裝 20 支單根瓦楞紙管所包裝的 LED 燈管(OW-T8AA4010)

Each carton contains 20 tubes (OW-T8AA4010)



Carton dimensions, 外箱尺寸

外箱尺寸 Outside carton size :1230x192x164mm



| | | | | |
|---|-------------------------|---------------|------------|----------------|
| Official Product | HT Part No. OW-T8AA4010 | Your Part No. | | Data Sheet No. |
| Tentative Product | | ***** | | |
| Specifications are subject to changes for improvement without advance notice. Proprietary data, drawings, and company confidential all rights reserved. | | 2012/10/16 | Version 01 | Page 10/10 |

