

● **Application Field**

HT-CTS500-5 Light bar specification for general lighting application.

● **Specification**

1. BOM List

Class	P/N	Name	Spec.	Quantity	Remark
A		Extrusion AL	AL6063 L=1524mm	1	
B		Upper Diffuser Plate	PC L=1534mm, Transmissive=85%	1	
C		Side Diffuser Plate	PC 48.36*32.64*2mm Transmissive=85%	2	
D		Cable	Connector: Molex 0039012025 Wire(+): UL2464 15AWG RED L=2710mm Wire(-):UL2464 15AWG BLACK L=2710mm	1	
E		Washer	$\varphi=5.0$; $t=1.0$	29	
F		Flate Head Thread Rolling Tapping Screws	4#*5/8	4	
G		Power Line Rubber	Silicone 14*8*3mm	1	
H		MCPCB	300*16*1.5	5	
I		LED	HT-U16DTW	150	CCT 4000K
J		Resistor	2010, 3/4W, 10%	50	

2. Dimension Specification

Please refer to the attached drawing for the detail structure of each part.

The following table lists the entire important parts characteristic.

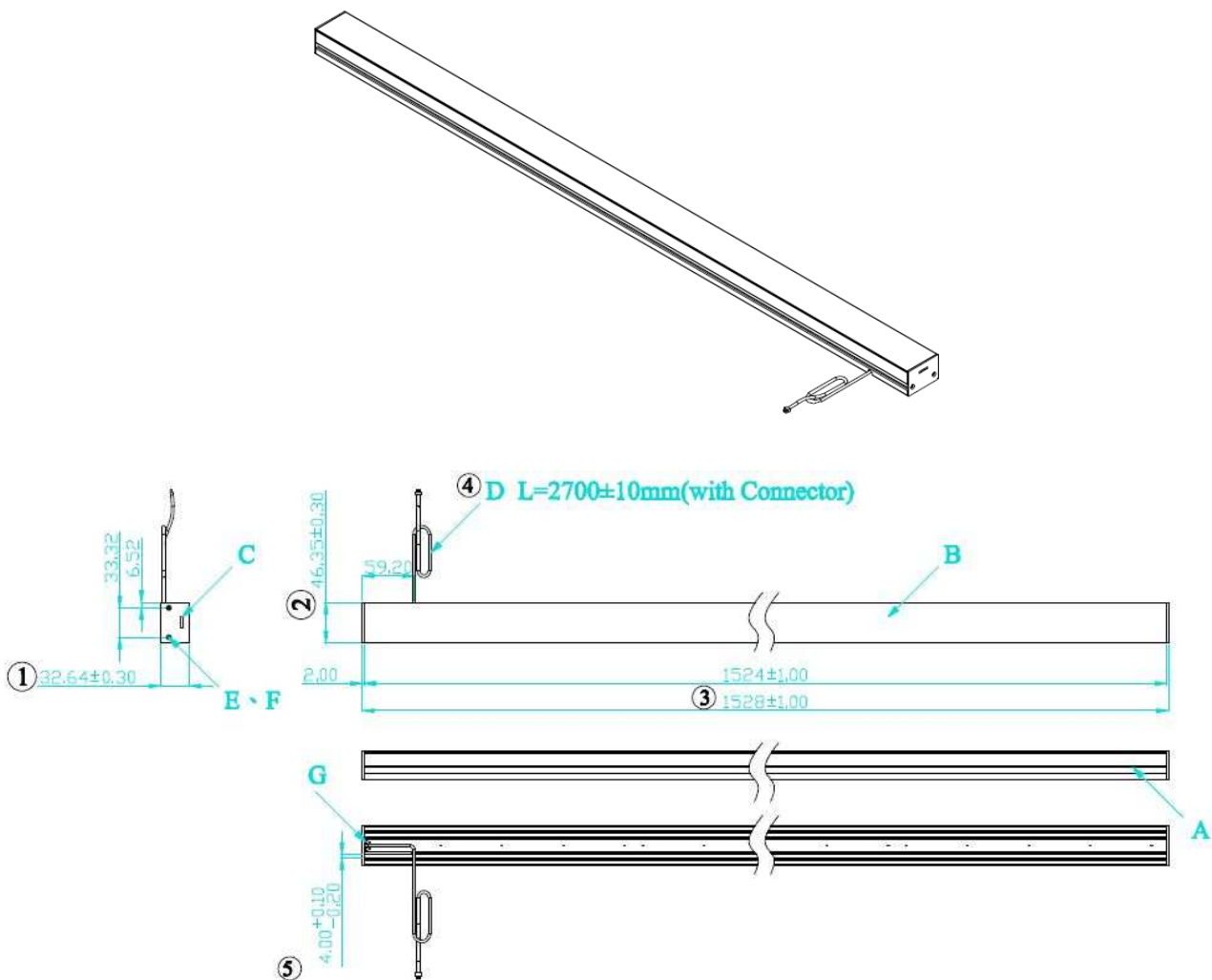
Item	Request	Unit	Note
Case	Outline dimensions	1528*46.35*32.64	mm
Wire	Length	2700	mm

Official Product	HT Part No. HT-CTS500-5	Your Part No.		Data Sheet No.
Tentative Product		*****		
Specifications are subject to changes for improvement without advance notice. Proprietary data, drawings, and company confidential all rights reserved.		2012/10/01	Version 1.0	Page 1/2

3. Electrical & Optical Characteristic

Item	Symbol	Condition	Min	Typ	Max	Unit
Forward Voltage	V_F	$I_F=150(\text{mA})/\text{chip}$	-	12	-	V
Forward Current	I_F	at 25°C	-	-	5	A
Total Flux	Lm	Cold lumen	5400	-	5600	lm

● Light Bar Module Outline Dimension



Official Product	HT Part No. HT-CTS500-5	Your Part No.		Data Sheet No.
Tentative Product		*****		
Specifications are subject to changes for improvement without advance notice. Proprietary data, drawings, and company confidential all rights reserved.		2012/10/01	Version 1.0	Page 2/2