

● Application Field

HT-AD ModuleA01 Light module specification for Advertising Box application.

● Specification

1. BOM List

Item	P/N	Name	Spec.	Quantity	Remark
A		HT-KN350B2			
B		LED SMT		1	
C		PCB	MCPCB 35.0*35.0*1.0mm	1	
D		LED	HT-U167TW	1	Reference to SPEC.
E		Lens	H/P=0.43	1	Reference to SPEC.

2. Dimension Specification

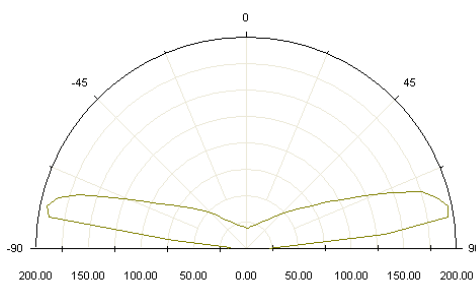
Please refer to the attached drawing for the detail structure of each part.

The following table lists the entire important parts characteristic.

Item	Request	Unit	Note
PCB Outline dimensions	35.0*35.0*1.0	mm	
LED Package	3.5*2.8*1.9	mm	

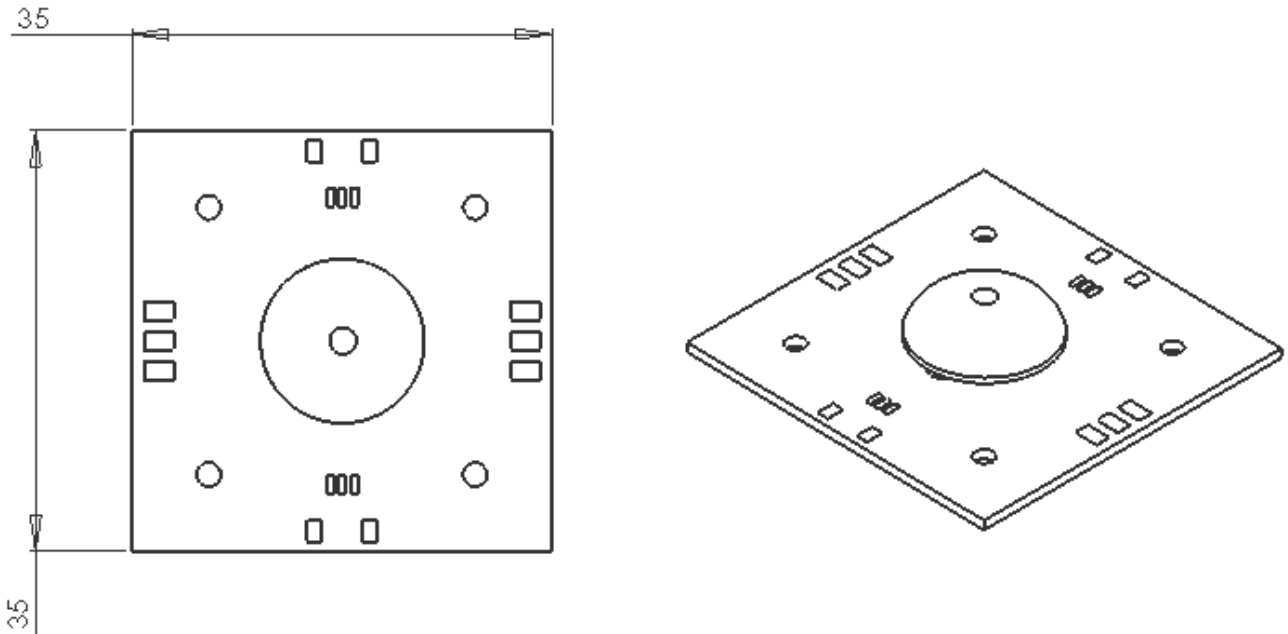
3. Electrical & Optical Characteristic

Item	Symbol	Condition	Min	Typ	Max	Unit
Forward Voltage	V_F	$I_F=250(\text{mA})/\text{chip}$	3.0	3.2	3.6	V
Forward Current	I_F	at 25°C	-	250	-	mA
Total Flux	Lm	Cold lumen	70	-	80	lm

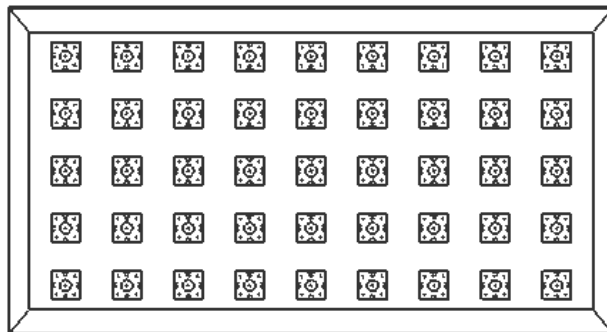


Official Product	HT Part No. HT-AD ModuleA01	Your Part No.		Data Sheet No.
Tentative Product		*****		
Specifications are subject to changes for improvement without advance notice. Proprietary data, drawings, and company confidential all rights reserved.		2012/10/01	Version 1.0	Page 1/2

● Light Bar Module Outline Dimension



● Light Module Appliaction



Official Product	HT Part No. HT-AD ModuleA01	Your Part No.		Data Sheet No.
Tentative Product		*****		
Specifications are subject to changes for improvement without advance notice. Proprietary data, drawings, and company confidential all rights reserved.		2012/10/01	Version 1.0	Page 2/2