

The EP1020xS and its companion I/O board create a compact, cost-effective, and powerful platform for developing high performance networked control platforms. At only 3.5" x 2.2" x 1.0", the board will fit into compact spaces, while 1 serial port, 2 USB ports, and 1 Gigabit Ethernet port plus the EBC connector provide the necessary control I/O.

The External Bus Connector (EBC) provides direct access to the P1020 interfaces. This high-speed compact interface will handle demanding applications.

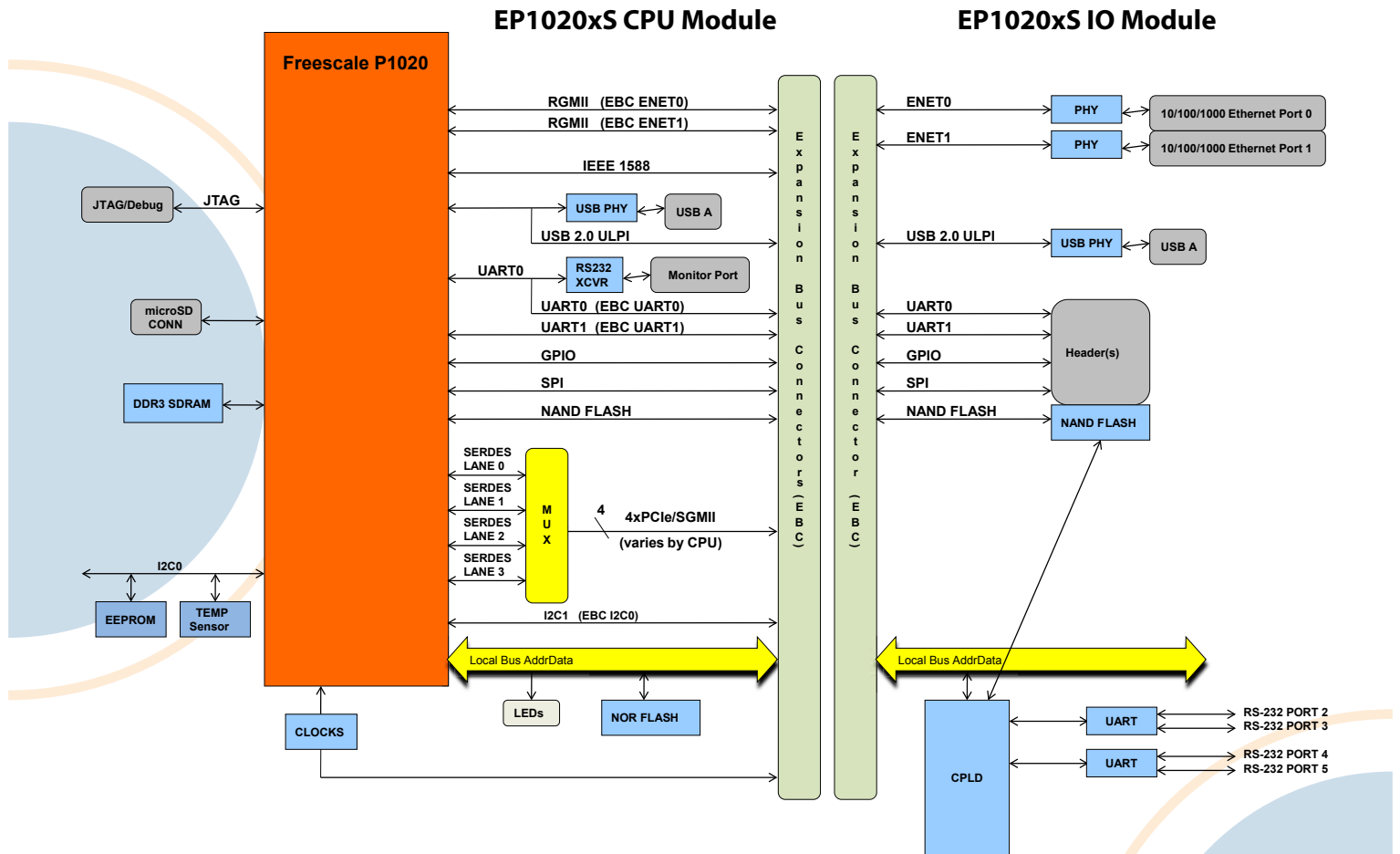
Feature Summary:

Specification:	Description:
Processor:	Freescale P1020 (or P1011, P1012 or P1021) at up to 800MHz
Memory:	RAM: Up to 256MB DDR3 FLASH: Up to 128MB, with additional 512MB NAND flash via I/O board
EBC Connector:	Direct access to SERDES, Clocks (SERDES, Ssystem, Ethernet), 1588, TSEC, USB, UARTs, GPIO, I2C, Flash and Power
Ethernet:	1 Gigabit port (Additional via I/O board)
Serial Ports:	1 RS-232 on board with additional ports available via optional I/O board
USB:	USB 2.0 Host and Device ports via I/O board
I2C Devices:	EEPROM and Battery Backed Real Time Clock
Form Factor:	Fanless Credit Card size (3.5" x 2.2"), 1.0" high
Debug:	On board JTAG debug connector

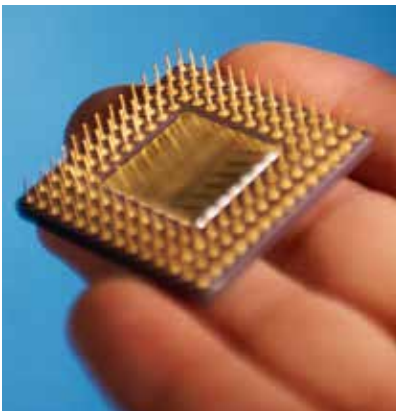
At the heart of the EP1020xS is the Freescale QorIQ P1020. The P1020 is a highly integrated SoC that includes an e500v2 core at speeds up to 800MHz, a floating point unit, NAND flash controller, DDR2 RAM controller, USB 2.0 host and device controllers, and dual Gigabit Ethernet MACs. The high level of integration increases performance, while lowering system power consumption and cost.

The board stack is supported by the U-Boot bootloader and BSPs for Linux, VxWorks, and Green Hills INTEGRITY.

Hardware Block Diagram



Let Us Do The Heavy Lifting



- Embedded Planet offers a complete set of software and hardware services to go along with our Off-the-Shelf solutions.
- Embedded Planet has extensive experience with embedded operating systems and firmware. Our stock configurations of operating systems and firmware can be customized to meet your particular needs.
- We can alleviate the headaches associated with volume production of embedded systems. Your product is delivered 100% tested from an ISO-9002 certified manufacturing facility.
- Our capabilities are available on a project basis to design custom solutions specifically tailored to your application.
- Contact Embedded Planet to find out how we can accelerate your project.

Copyright © 2013 Embedded Planet, Inc. All Rights Reserved.