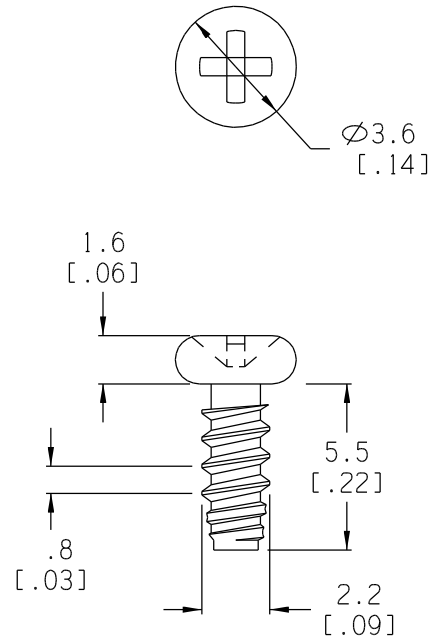



Date	SYM	REVISION RECORD	AUTH	DR.	CK.
10/07/06	A	Added Material note.	T.B.	B.S.	



Material: Steel with zinc plating

Tolerance (Inches)	 Memory Protection Devices, Inc. 200 Broad Hollow Road, Farmingdale, New York 11735	Scale	Drawn By B.S.
Decimal $\pm .5$ (.020)		Approved By T.B.	
Fractional $\pm .8$ (.030)	Title SCREW, 2.2 x 5.5PB		
Angular $\pm 3^\circ$	Date 10/07/06	Drawing Number SBH-SCREW	