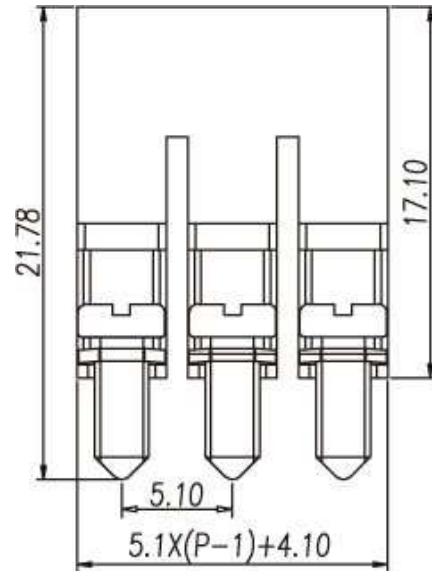


Accessory / Screw-on bridge



**DS2.5**



Suitable type	DK2.5	DK2.5-PE
	DK1.5-TR	DDK2.5
	DKES1.5	
	DKES1.5M	
Available position	02P ~ 10P	