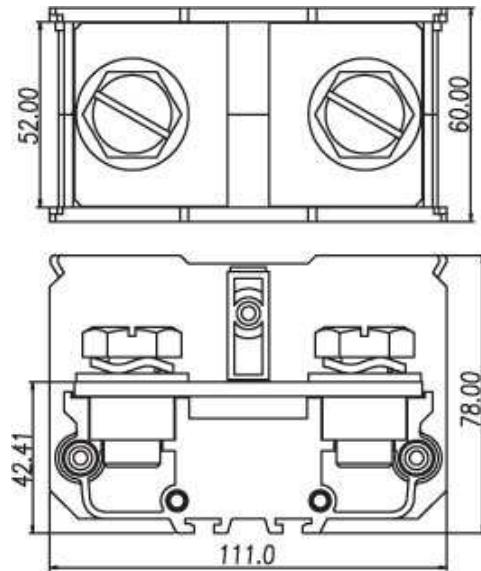


Rail Mount Design / DKB series



DKB500



Pitch: 60mm

Approval	UL		FW2
Technical Data	UL	IEC	
Rated Voltage	1000V		
Rated Current	475A / 620A		
Applicable Wire (Kcmil)	750/2x250~350		
Torque (Lb-in)	88.5		
Screw	M16		
Housing Material	PC		

TEL: +886-2-2908-0614

FAX: +886-2-2908-8549

E-mail: infor@dinkle.com.tw