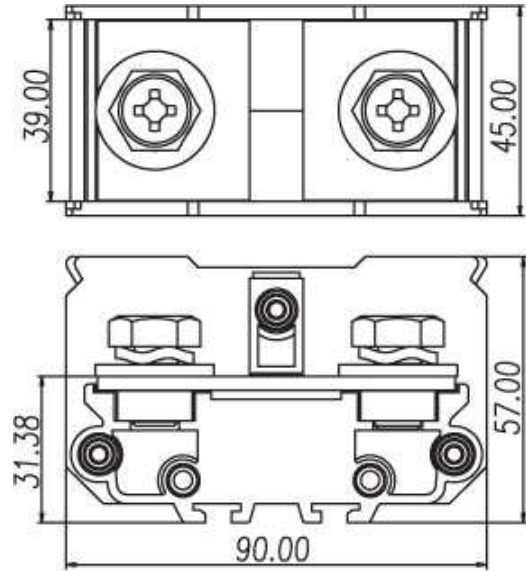


Rail Mount Design / DKB series



DKB300



Pitch: 45mm

Approval	UL		FW2
Technical Data	UL	IEC	
Rated Voltage	600V		
Rated Current	380A		
Applicable Wire (Kcmil)	3/0~500		
Torque (Lb-in)	88.5		
Screw	M10		
Housing Material	PC		

TEL: +886-2-2908-0614

FAX: +886-2-2908-8549

E-mail: infor@dinkle.com.tw