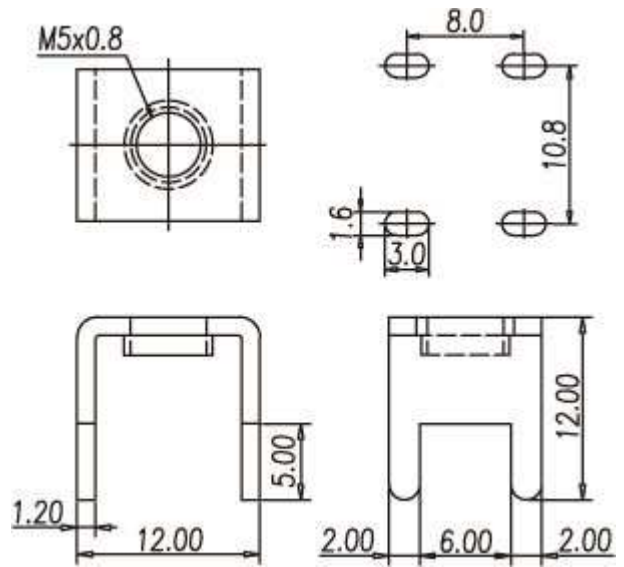


Accessory / PCB Terminal



**P-831**



Material	Brass, Tin plated
Current Rating	65A