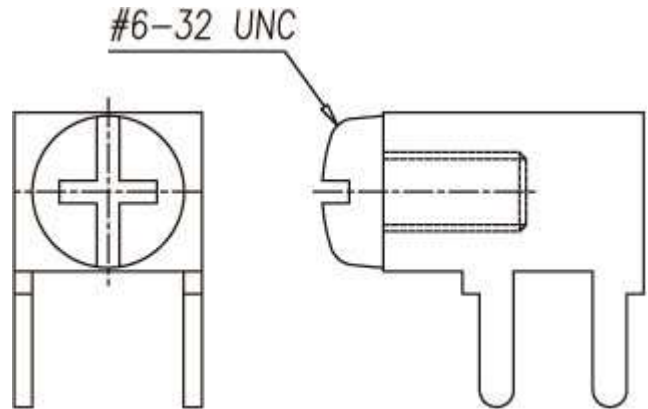


Accessory / PCB Terminal



P-810N



Material	Brass, Tin plated
Screw	#6-32, Nickel plated
Current Rating	30A