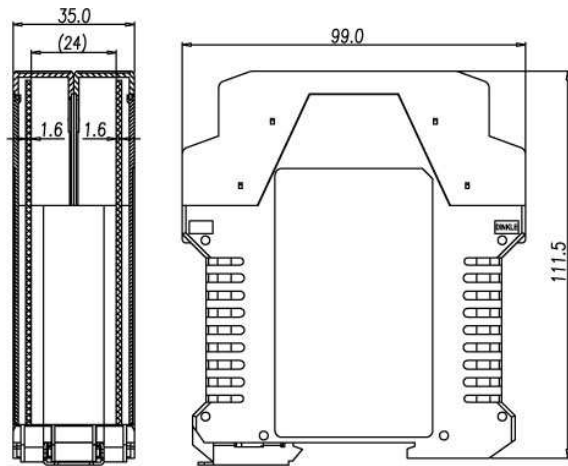


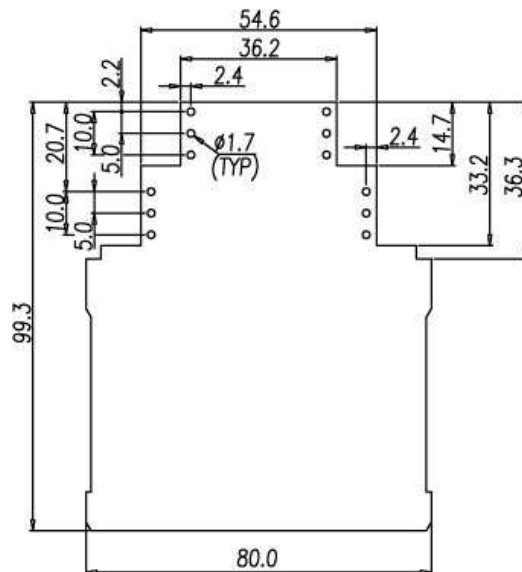
Interface Module / Electronics Enclosures



DMEN-T6PGG (DMEN-T6PGG-PE)

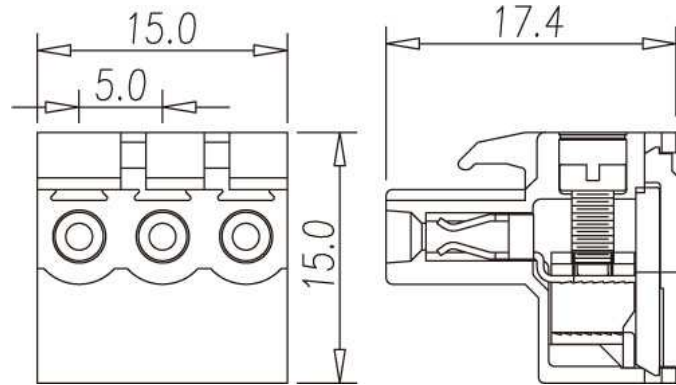


Technical Data	
Pole Size	24
PCB Set	2
Terminal Block	5EH-3PR.3PL 5ESDT-03P
Solid wire(AWG)	28~12
Stranded wire(AWG)	28~12
Wire strip length	7~8mm

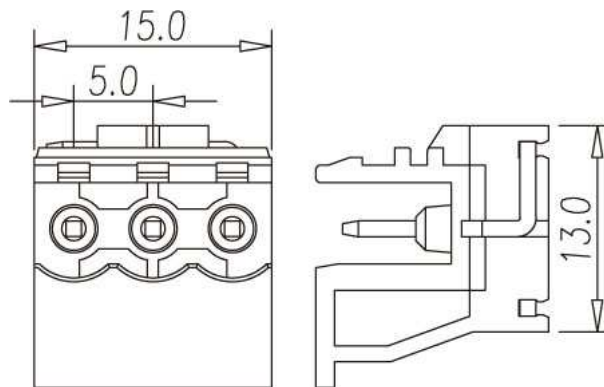


Accessories

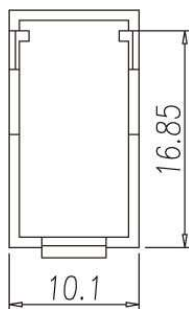
suitable plug / 5EST-03P



suitable plug / 5EH-3P



suitable plug / 5EH-2PC



earthing plug / 0073-B015

