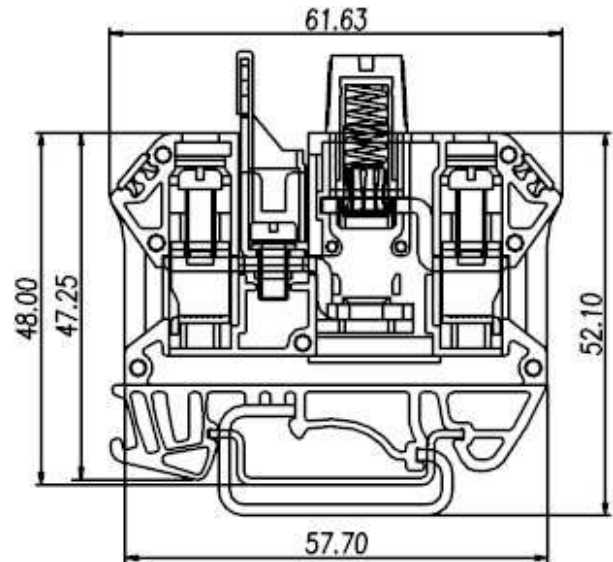



DIN Rail terminal blocks / DK..-TF series



DK10-TF(5x20)



Approval		
Technical Data	UL	IEC
Rated voltage	600V	660V
Rated current	6.3A	6.3A
Conductor cross-section, solid (AWG / mm ²)	22~6 / 1.5~10	
Conductor cross-section, flexible (AWG / mm ²)	22~6 / 1.5~10	
Rated impulse withstand voltage	6KV	
Torque (N-m)	1.8	
Screw	M4	
Wire strip length	12~16mm	
Insulating material	PA	
TxHxW (mm)	12 x 47.2 x 61.6	

