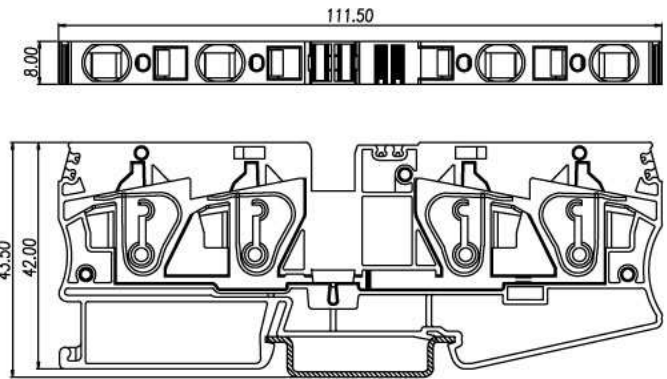


Spring Type DIN Rail Terminal Blocks / AK series



AK6-TR



Approval	Pending	
Technical Data	UL	IEC
Rated voltage	600V	800V
Rated current	45A	41A
Conductor cross-section, solid (AWG / mm ²)	24~8 / 0.5~6	
Conductor cross-section, flexible (AWG / mm ²)	24~8 / 0.5~6	
Rated impulse withstand voltage	6KV	
Torque (N-m)		
Screw		
Wire strip length	12mm	
Insulating material	PA	
TxHxW (mm)	8 x 42 x 111.5	
Optional color	Cat. No.	
●		
●	AK6-TR-BL	
●		
●		



	Accessories	Cat. No.
End cover		AK6C-TR
Partition		
Small partition		
Insertion bridge	2 way	DSD01-602
	3 way	DSD01-603
	4 way	DSD01-604
	5 way	DSD01-605
	10 way	DSD01-610
Insertion bridge		
Screw-on bridge		
Marking label		TM22 / TM38
Mounting Rail		TS-35
Tool		0.8 x 4mm