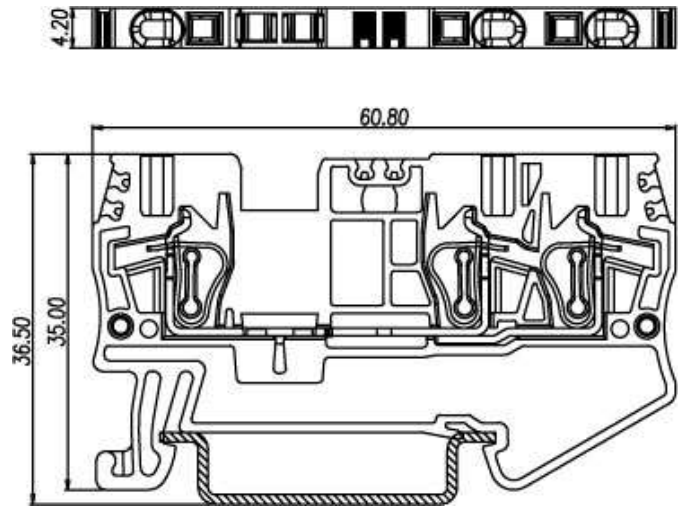


Spring Type DIN Rail Terminal Blocks / AK series



AK1.5-TN



Approval	Pending	
Technical Data	UL	IEC
Rated voltage	300V	500V
Rated current	13A	17.5A
Conductor cross-section, solid (AWG / mm ²)	30~14 / 0.5~1.5	
Conductor cross-section, flexible (AWG / mm ²)	30~14 / 0.5~1.5	
Rated impulse withstand voltage	5KV	
Torque (N-m)		
Screw		
Wire strip length	10mm	
Insulating material	PA	
TxHxW (mm)	4.2 x 35 x 60.8	
Optional color	Cat. No.	
●		
●	AK1.5-TN-BL	
●		
●		



	Accessories	Cat. No.
End cover		AK25C-TN
Partition		AKSPS-003
Small partition		
Insertion bridge	2 way	DSD01-1.502
	3 way	DSD01-1.503
	4 way	DSD01-1.504
	5 way	DSD01-1.505
	10 way	DSD01-1.510
	20 way	DSD01-1.510
Insertion bridge		
Screw-on bridge		
Marking label		TM19 / TM35
Mounting Rail		TS-35
Tool		0.4 x 2.5mm