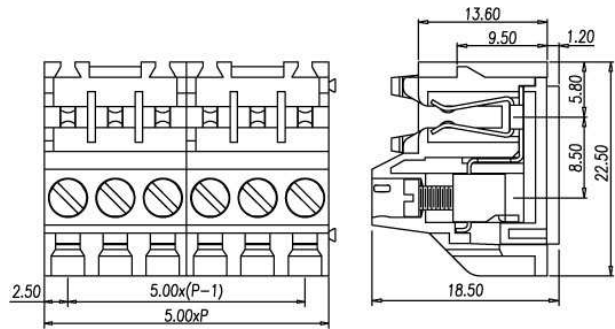


Spring plugs for pluggable terminal blocks / ESC & ESD series



AM500



Pitch: 5.00mm

Approval		
Technical Data	UL	IEC
Rated voltage	300V	
Rated current	6A	
Conductor cross-section, solid (AWG/ mm ²)	28-12	
Conductor cross-section, flexible (AWG/ mm ²)	28-12	
Rated surge voltage (UL/IEC/Max.)	1.6/ / KV	
Torque (N-m)	0.49	
Screw	M2.5	
Wire strip length		
Pole	Cat. No.	
03	AM500-03P	

TEL: +886-2-2908-0614

FAX: +886-2-2908-8549

E-mail: info@dinkle.com.tw