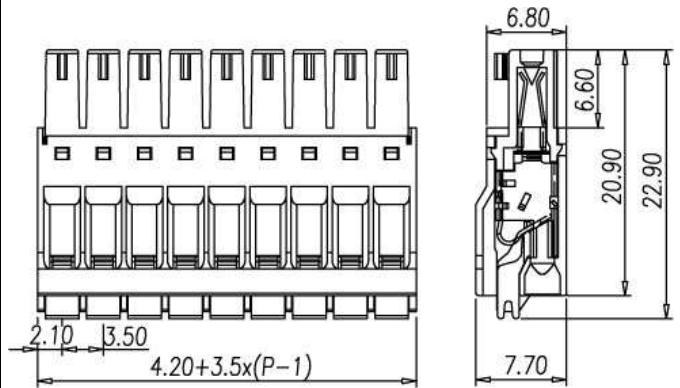


Spring plugs for pluggable terminal blocks / 0221 series



**0221-20XX**



**Pitch: 3.50mm**

|   |               |      |
|---|---------------|------|
| Approval  | <b>UL</b>     |      |
| Technical Data  | UL            | IEC  |
| Rated voltage   | 300V          | 250V |
| Rated current   | 8A            | 6A   |
| Conductor cross-section, solid (AWG/ mm <sup>2</sup> )    | 24~16 / 0.5~1 |      |
| Conductor cross-section, flexible (AWG/ mm <sup>2</sup> ) | 24~16 / 0.5~1 |      |
| Rated surge voltage (UL/IEC/Max.)                         | 1.6 / 2 / KV  |      |
| Torque (N-m)  |               |      |
| Screw   |               |      |
| Wire strip length   | 8mm           |      |
| Pole  | Cat. No.      |      |
| 02  | 0221-2002     |      |
| :   | :             |      |
| :   | :             |      |
| 20  | 0221-2020     |      |

**TEL:** +886-2-2908-0614

**FAX:** +886-2-2908-8549

**E-mail:** info@dinkle.com.tw