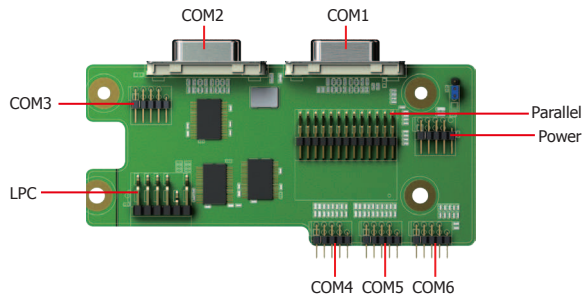
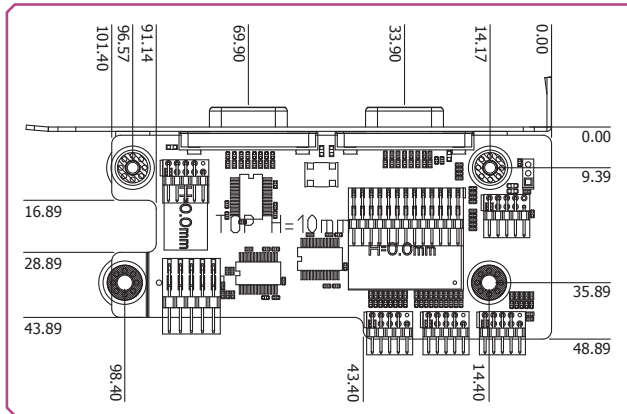


EXT-6C1PR

Extension board



Mechanical Drawing



Features

DIMENSIONS	101.4mm x 48.89mm (4" x 1.92")
------------	--------------------------------

Specifications

REAR PANEL IO PORTS

- 2 DB-9 RS232 serial ports

IO CONNECTORS

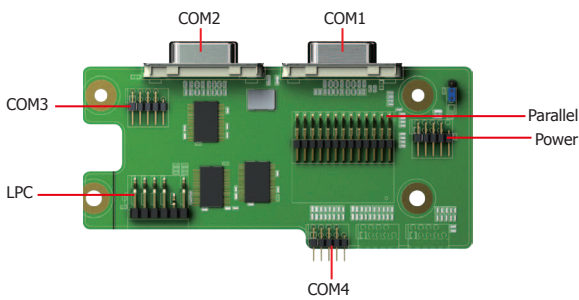
- 4 RS232 connectors for 4 external serial ports
- 1 parallel port

DIMENSIONS

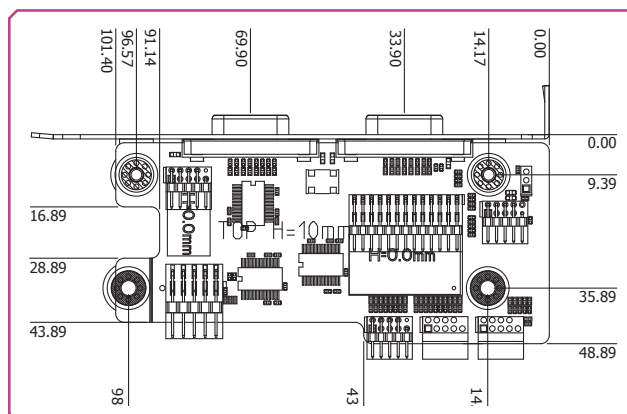
- 101.4mm x 48.89mm (4" x 1.92")

EXT-4C1PR

Extension board



Mechanical Drawing



Features

DIMENSIONS	101.4mm x 48.89mm (4" x 1.92")
------------	--------------------------------

Specifications

REAR PANEL IO PORTS

- 2 DB-9 RS232 serial ports

IO CONNECTORS

- 2 RS232 connectors for 2 external serial ports
- 1 parallel port

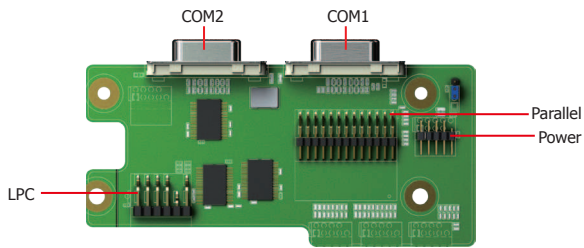
DIMENSIONS

- 101.4mm x 48.89mm (4" x 1.92")



EXT-2C1PR

Extension board



► Features

DIMENSIONS	101.4mm x 48.89mm (4" x 1.92")
------------	--------------------------------

► Specifications

REAR PANEL IO PORTS

- 2 DB-9 RS232 serial ports

IO CONNECTORS

- 1 parallel port

DIMENSIONS

- 101.4mm x 48.89mm (4" x 1.92")

► Mechanical Drawing

