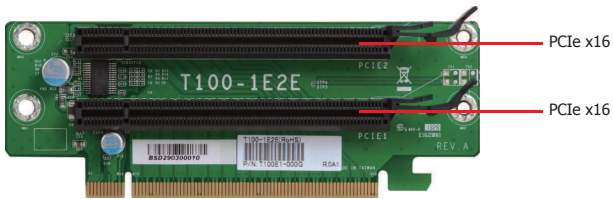


T100-1E2E Riser Card

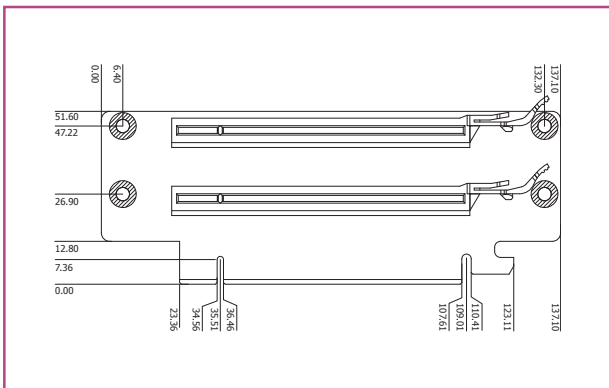
DFI[®]



Features

EXPANSION SLOTS 2 PCIe x16 (2 x8 signal)
INTERFACE PCIe x16
DIMENSIONS 137.1mm x 51.6mm (5.39" x 2.03")

Mechanical Drawing



Specifications

EXPANSION SLOTS

- 2 PCIe x16 (2 x8 signal)

INTERFACE

- PCIe x16

APPLIED MODELS

- All workstation and mobile models

DIMENSIONS

- 137.1mm x 51.6mm (5.39" x 2.03")