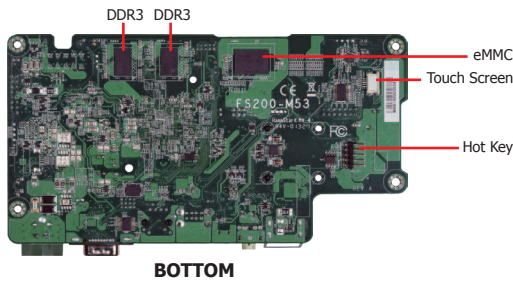
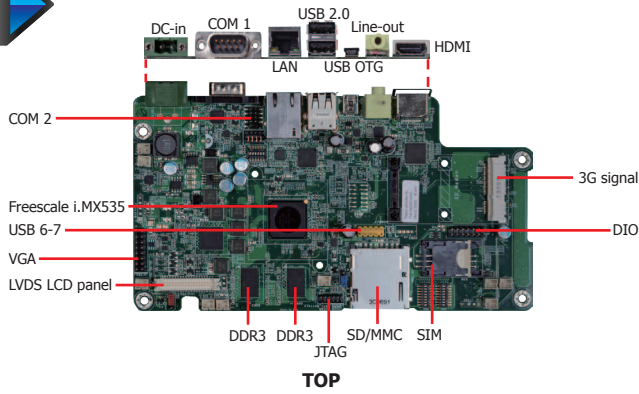


# FS200-M53

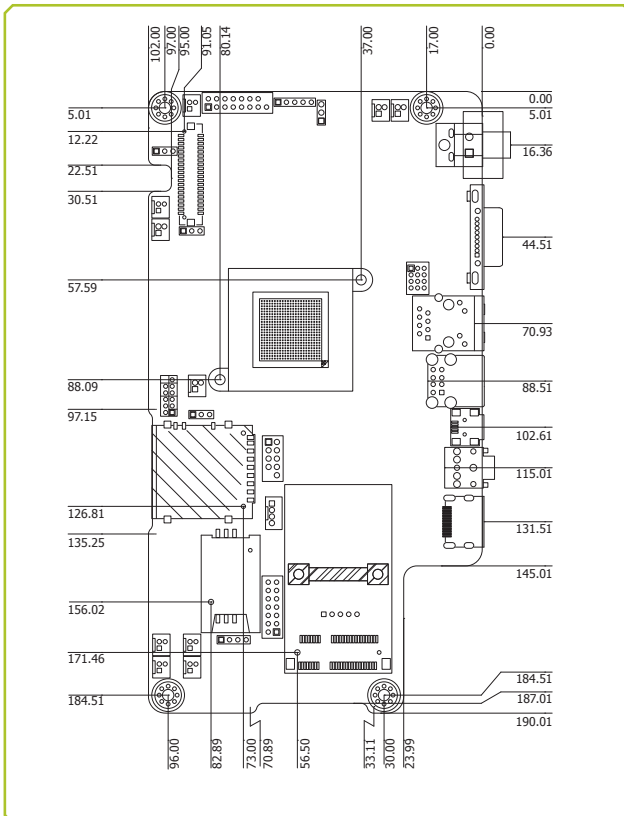


## Features

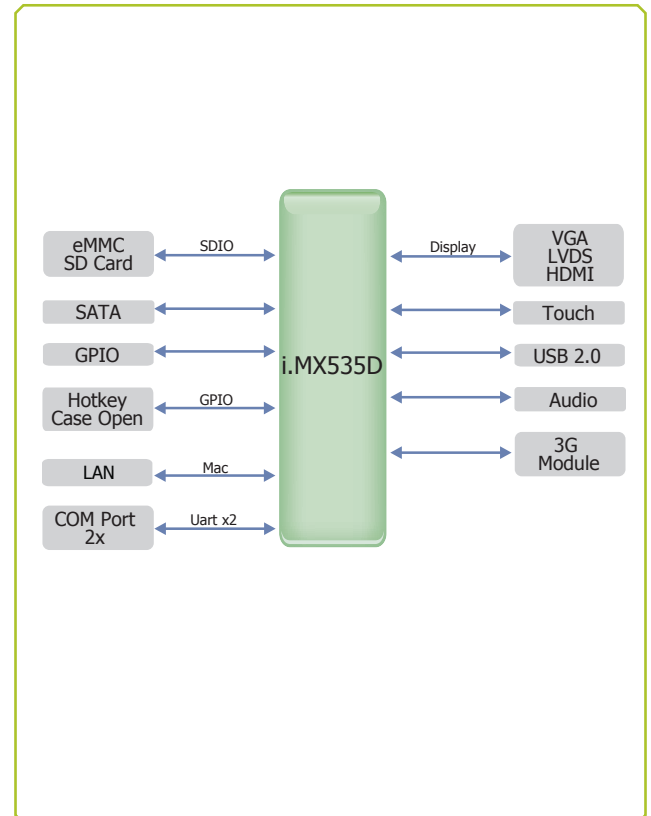
MEMORY	1GB DDR3 onboard
EXPANSION	1 Mini PCIe - DFI Proprietary supports 3G 1 SIM
DISPLAY OUTPUTS	1 VGA, 1 LVDS, 1 HDMI
LAN	1 10/100Mbps LAN
COM	2 COM
USB	4 USB 2.0 1 USB OTG
STORAGE	4GB eMMC SD/MMC
DIO	6-bit input and 6-bit output GPIO 4-bit Android hot keys



## Mechanical Drawing



## Block Diagram



# FS200-M53

## ► Specifications

### PROCESSOR

- Freescale i.MX535
  - ARM Cortex-A8 core
  - Processor speed: up to 1GHz

### SYSTEM MEMORY

- DDR3 onboard
- Onboard memory
  - 1GB: standard
  - 2GB: option

### STORAGE

- 8Mbit EEPROM (option)
- 1 SD/MMC socket
- 4GB (standard) and 16GB eMMC onboard

### EXPANSION SLOTS

- 1 Mini PCIe slot (DFI Proprietary)
  - Supports full/half size Mini PCIe card
  - Supports USB interface for 3G module
- 1 SIM card slot

### ONBOARD GRAPHICS FEATURES

- Display outputs: 1 VGA, 1 LVDS, 1 HDMI
  - VGA: resolution up to 1920x1080 @ 60Hz
  - LVDS: 24-bit, dual channel, resolution up to 1024x768 @ 60Hz
  - HDMI: resolution up to 1600x1200 @ 60Hz

### ONBOARD AUDIO FEATURES

- SGTL5000 2-channel audio codec
- 2 1W audio amplifier connectors (left and right sides)

### ONBOARD LAN FEATURES

- SMSC 8710 10/100 Ethernet transceiver
- 10BASE-T/100BASE-TX transceiver
- Fully compliant with IEEE 802.3, IEEE 802.3u, IEEE 802.3ab

### SYSTEM SOFTWARE

- Bootloader
- LTIB Linux 2.6.35.3
- Android 2.3

### POWER

- 9~30Vdc (+/-10%) power input voltage

### REAR I/O PORTS

- 1 2-pin 9-30V DC-in jack
- 1 DB-9 RS232/422/485 serial port
- 1 RJ45 LAN port
- 2 USB 2.0/1.1 ports
- 1 USB OTG (Type B)
- 1 Line-out jack
- 1 HDMI port

### SIDE I/O PORTS

- 1 SD/MMC card socket

### I/O CONNECTORS

- 1 9-pin connector for 2 external USB 2.0/1.1 ports
- 1 VGA connector
- 1 LVDS LCD panel connector
  - With power
  - 18/24-bit, dual channel
- 1 touch screen connector
  - Supports 4-wire resistive touch screen
- 2 1W audio amplifier connectors (left and right sides)
- 1 mic-in connector
- 1 6-bit input and 6-bit output GPIO connector (with power)
- 4-bit Android hot keys connector
- 1 JTAG connector
- 1 chassis intrusion connector

### TEMPERATURE

- Operating: -20°C to 65°C
- Storage: -20°C to 85°C

### HUMIDITY

- 10% to 90%

### DIMENSIONS

- 190mm (7.48") x 102mm (4.02")

## ► Packing List

- |                          |
|--------------------------|
| • 1 FS200-M53 board      |
| • 1 DVD                  |
| • 1 QR (Quick Reference) |

## ► Optional Items

- |  |
|--|
| • Power adapter (60W, 12V) : 671-106002-102G |
|--|