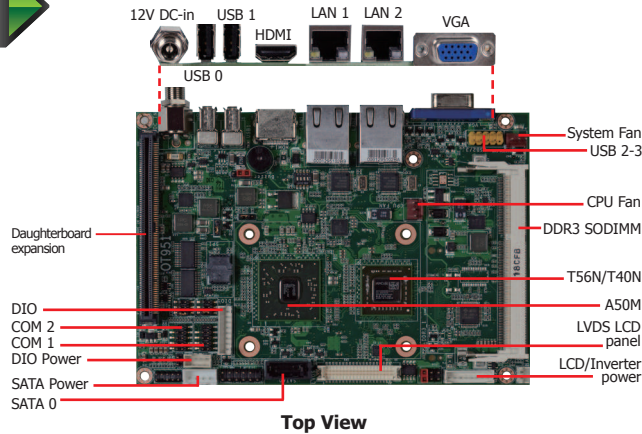
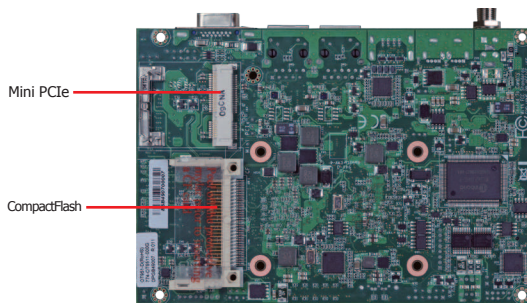




OT951-D Series



Top View



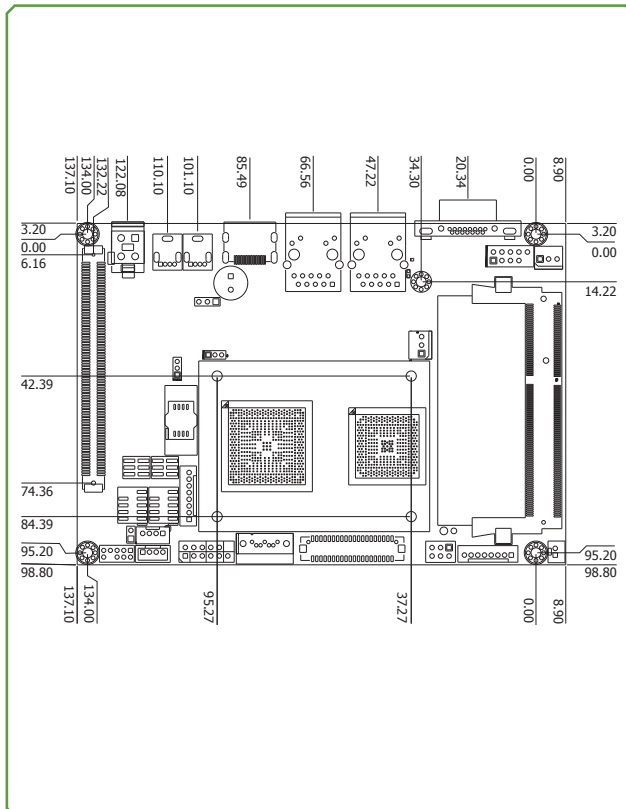
Bottom View



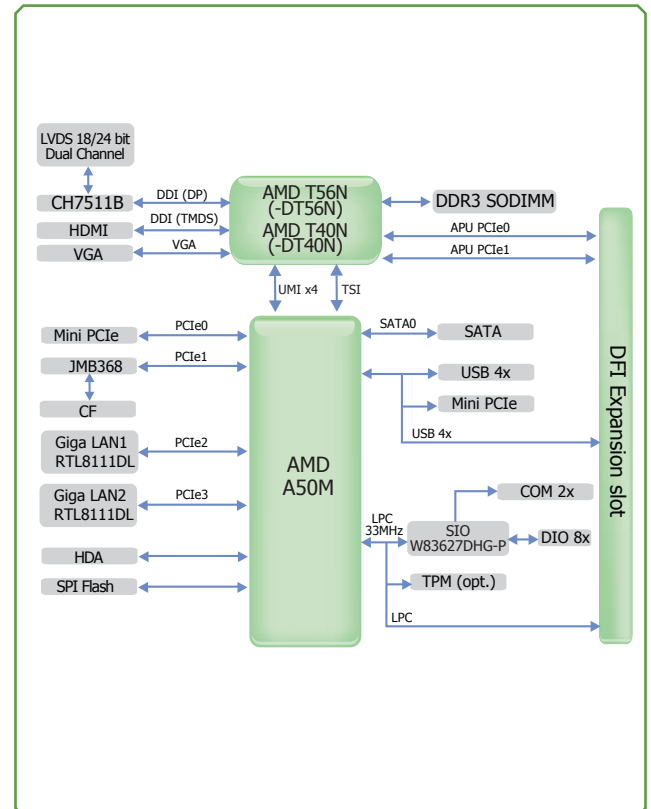
Features

MEMORY	1 DDR3 SODIMM up to 8GB
EXPANSION	1 Mini PCIe 1 Connector for daughterboard expansion
DISPLAY OUTPUTS	1 HDMI, 1 VGA, 1 LVDS
LAN	2 LAN
COM	2 COM
USB	4 USB 2.0
STORAGE	1 SATA 3.0 1 CF
DIO	8-bit DIO
DIMENSIONS	146mm x 102mm (5.75" x 4.02")

Mechanical Drawing



Block Diagram



OT951-D Series

► Specifications

APU (Accelerated Processing Unit)

- OT951-DT56N:
 - AMD® T56N, 1.65GHz, 2x 512KB L2, 18W TDP, dual-core
 - Cooling: heatsink with cooling fan
- OT951-DT40N:
 - AMD® T40N, 1.0GHz, 2x 512KB L2, 9W TDP, dual-core
 - Cooling: heatsink without cooling fan

CHIPSET

- AMD® A50M Controller Hub

SYSTEM MEMORY

- One 204-pin DDR3 SODIMM sockets
- Supports DDR3 1066/1333MHz (OT951-DT56N)
- Supports DDR3 1066MHz (OT951-DT40N)
- Supports single channel memory interface
- Supports up to 8GB system memory
- DRAM device technologies: 1Gb, 2Gb and 4Gb DDR3 DRAM technologies are supported for x8 and x16 devices, unbuffered, non-ECC

EXPANSION SLOTS

- 1 Mini PCIe slot
 - Supports half size Mini PCIe card
- 1 CompactFlash socket
- 1 connector for daughterboard expansion
 - 2 PCIe x1
 - 4 USB 2.0
 - 1 LPC

ONBOARD GRAPHICS FEATURES

- Advanced discrete-level GPU integrated in the processor
 - AMD Radeon™ HD 6320 (OT905-BT56N)
 - AMD Radeon™ HD 6290 (OT905-BT40N)
- Supports LVDS, VGA and HDMI interfaces
- LVDS: Chrontel CH7511B, 24-bit, dual channel, resolution up to 1920x1200 @ 60Hz
- VGA: resolution up to 2048x1536 @ 60Hz (OT905-BT56N); resolution up to 1920x1200 @ 60Hz (OT905-BT40N)
- HDMI: resolution up to 1920x1080 @ 60Hz
- Supports AMD Turbo Core 2.0 technology
- Supports DirectX 11, OpenGL 3.2 and OpenCL 1.1
- Supports Hardware H.264, MPEG4 Part 2, VC-1, and MPEG2 decode

ONBOARD AUDIO FEATURES

- Realtek ALC886 5.1-channel High Definition Audio

ONBOARD LAN FEATURES

- 2 Realtek RTL8111DL Gigabit Ethernet Controllers
- Integrated 10/100/1000 transceiver
- Fully compliant with IEEE 802.3, IEEE 802.3u, IEEE 802.3ab

SERIAL ATA (SATA) INTERFACE

- Supports 1 Serial ATA interface
- SATA 3.0 with data transfer rate up to 6Gb/s
- Integrated Advanced Host Controller Interface (AHCI) controller

IDE INTERFACE

- JMicron JMB368 PCI Express to PATA host controller
- Supports 1 CompactFlash interface

TRUSTED PLATFORM MODULE (TPM) - optional

- Provides a Trusted PC for secure transactions
- Provides software license protection, enforcement and password protection

REAR PANEL I/O PORTS

- 1 12V DC-in jack (default) or 4-pin ATX power connector (optional)
- 1 HDMI port
- 1 DB-15 VGA port
- 2 RJ45 LAN ports
- 2 USB 2.0/1.1 ports

I/O CONNECTORS

- 1 connector for 2 external USB 2.0/1.1 ports
- 2 connectors for 2 external RS232/422/485 serial ports
- 1 LVDS LCD panel connector
- 1 LCD/inverter power connector
- 1 8-bit Digital I/O connector
- 1 front audio connector for line-out and mic-in jacks
- 1 Serial ATA port
- 1 chassis intrusion connector
- 1 front panel connector
- 2 fan connectors

BIOS

- AMI BIOS
 - 64Mbit SPI BIOS

ENERGY EFFICIENT DESIGN

- Supports ACPI
- System Power Management
- Wake-On-Events include:
 - Wake-On-USB KB/Mouse
 - Wake-On-LAN
 - RTC timer to power-on the system
- CPU stopped clock control
- AC power failure recovery

DAMAGE FREE INTELLIGENCE

- Monitors CPU/system temperature and overheat alarm
- Monitors Vcore/Vnb/V_DIMM/5V/12V voltages and failure alarm
- Monitors CPU/system fan speed and failure alarm
- Read back capability that displays temperature, voltage and fan speed
- Watchdog timer function

POWER CONSUMPTION

- 26.66 W with T56N at 1.65GHz and 1x 2GB DDR3 SODIMM
- 19.23 W with T40N at 1.00GHz and 1x 1GB DDR3 SODIMM

OS SUPPORT

- Windows XP Professional x86 & SP3 (32-bit)
- Windows XP Professional x64 & SP2 (64-bit)
- Windows 7 Ultimate x86 & SP1 (32-bit)
- Windows 7 Ultimate x64 & SP1 (64-bit)

TEMPERATURE

- Operating: 0°C to 60°C
- Storage: -20°C to 85°C

HUMIDITY

- 10% to 90%

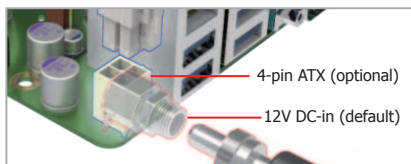
DIMENSIONS

- 3.5" board
- 146mm (5.75") x 102mm (4.02")

CERTIFICATION

- CE
- FCC Class B
- UL
- RoHS

► Power Connector



► Packing List

- 1 OT951-D board
- 1 Serial ATA data cable
- 1 DVD
- 1 QR (Quick Reference)

► Optional Items

- Serial ATA data cable
- USB port cable
- COM port cable
- Power adapter (60W, 12V) : 671-106002-102G