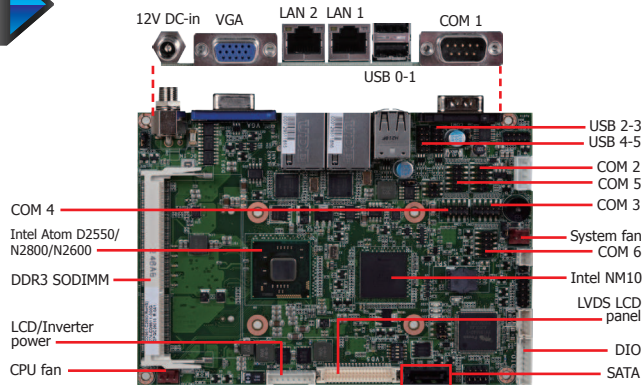




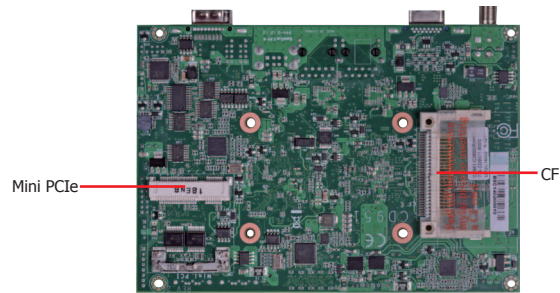
Intel® Atom™ D2550/N2800/N2600  
3.5"

# CD951-C Series

Atom



Top View



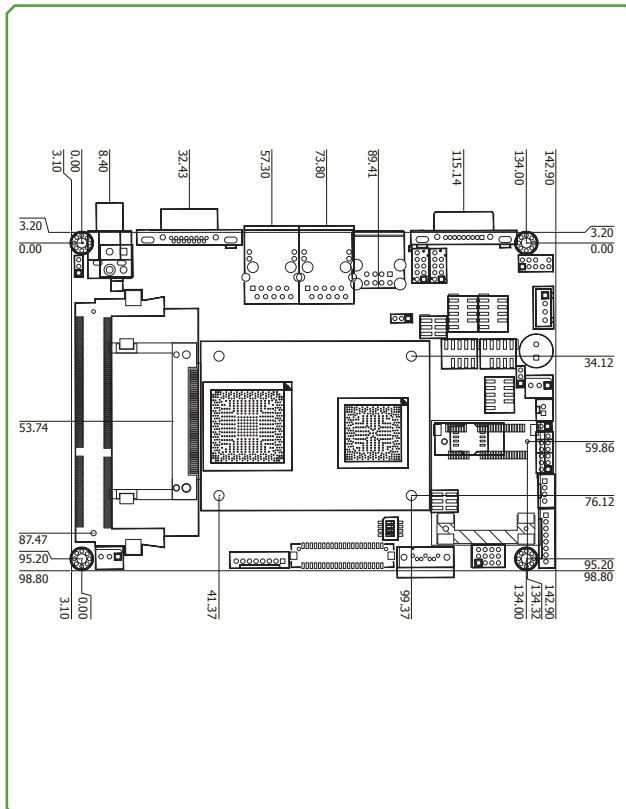
Bottom View



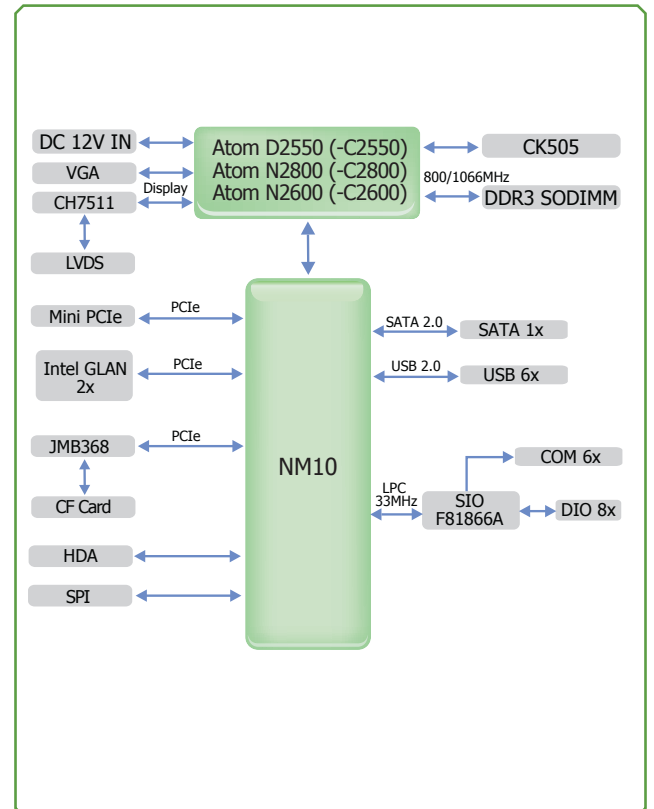
## Features

MEMORY	1 DDR3 SODIMM up to 4GB (-C2550/-C2800) 1 DDR3 SODIMM up to 2GB (-C2600)
EXPANSION	1 Mini PCIe
DISPLAY OUTPUTS	1 VGA, 1 LVDS
LAN	2 LAN
COM	6 COM
USB	6 USB 2.0
STORAGE	1 SATA 2.0 1 CF
DIO	8-bit DIO
DIMENSIONS	146mm x 102mm (5.75" x 4.02")

## Mechanical Drawing



## Block Diagram



# CD951-C Series

## ► Specifications

### PROCESSOR

- CD951-C2550:
  - Intel® Atom™ D2550, 1.86GHz, 2x 512K L2, 10W TDP, dual-core
  - Cooling: heatsink with cooling fan
- CD951-C2800:
  - Intel® Atom™ N2800, 1.86GHz, 2x 512K L2, 6.5W TDP, dual-core
  - Cooling: heatsink (fanless solution)
- CD951-C2600:
  - Intel® Atom™ N2600, 1.6GHz, 2x 512K L2, 3.5W TDP, dual-core
  - Cooling: heatsink (fanless solution)

### CHIPSET

- Intel® NM10 Express chipset

### SYSTEM MEMORY

- One 204-pin DDR3 SODIMM socket
- Supports DDR3 1066MHz (Intel® Atom™ D2550/N2800)
- Supports DDR3 800MHz (Intel® Atom™ N2600)
- Supports single channel memory interface
- Supports up to 4GB system memory (Intel® Atom™ D2550/N2800)
- Supports up to 2GB system memory (Intel® Atom™ N2600)
- DRAM device technologies: 1Gb, 2Gb and 4Gb DDR3 DRAM technologies are supported for x8 and x16 devices, unbuffered, non-ECC

### EXPANSION SLOTS

- 1 Mini PCIe slot
  - Supports PCIe (PCIe and USB signals) or mSATA module
  - Supports half size card
- 1 CompactFlash socket

### ONBOARD GRAPHICS FEATURES

- Intel® GMA 3650 (Intel® Atom™ D2550/N2800)
- Intel® GMA 3600 (Intel® Atom™ N2600)
- Supports LVDS and VGA interfaces
- LVDS: Chronitel CH7511B, 24-bit, dual channel, resolution up to 1920x1200 @ 60Hz
- VGA: resolution up to 1920x1200 @ 60Hz
- Supports Hardware H.264/AVC, MPEG-2 video decoder, VC-1, DirectX 9, 1080p decoder

### ONBOARD AUDIO FEATURES

- Realtek ALC886 2-channel High Definition Audio

### ONBOARD LAN FEATURES

- 2 Intel® 82574 Gigabit Ethernet Controllers
- Integrated 10/100/1000 transceiver
- Fully compliant with IEEE 802.3, IEEE 802.3u, IEEE 802.3ab

### SERIAL ATA (SATA) INTERFACE

- Supports 1 Serial ATA interface
- SATA 2.0 with data transfer rate up to 3Gb/s
- Integrated Advanced Host Controller Interface (AHCI) controller

### IDE INTERFACE

- JMicron JMB368 PCI Express to PATA host controller
- Supports 1 CompactFlash interface

### REAR PANEL I/O PORTS

- 1 12V DC-in jack (default) or 4-pin ATX power connector (optional)
- 1 DB-9 RS232 serial port
- 1 DB-15 VGA port
- 2 RJ45 LAN ports
- 2 USB 2.0/1.1 ports

### I/O CONNECTORS

- 2 connectors for 4 external USB 2.0/1.1 ports
- 5 connectors for 5 external serial ports
  - 1 connector supports RS232/422/485
  - 4 connectors support RS232
- 1 LVDS LCD panel connector
- 1 LCD/inverter power connector
- 1 8-bit Digital I/O connector
- 1 front audio connector for line-out and mic-in jacks
- 1 Serial ATA port
- 1 chassis intrusion connector
- 1 front panel connector
- 2 fan connectors

### BIOS

- AMI BIOS
  - 16Mbit SPI BIOS

### ENERGY EFFICIENT DESIGN

- Supports ACPI
- System Power Management
- Wake-On-Events include:
  - Wake-On-PS/2 KB/Mouse
  - Wake-On-USB KB/Mouse
  - Wake-On-LAN
  - RTC timer to power-on the system
- CPU stopped clock control
- AC power failure recovery

### DAMAGE FREE INTELLIGENCE

- Monitors CPU/system temperature and overheat alarm
- Monitors VCORE/5V/3.3V/V\_DIMM/12V/5VSB voltages and failure alarm
- Monitors CPU/system fan speed and failure alarm
- Read back capability that displays temperature, voltage and fan speed
- Watchdog timer function

### POWER CONSUMPTION

- 17.5W with D2550 at 1.86GHz and 1x 2GB DDR3 SODIMM
- 17.5W with N2800 at 1.86GHz and 1x 2GB DDR3 SODIMM
- 13.8W with N2600 at 1.6GHz and 1x 2GB DDR3 SODIMM

### OS SUPPORT

- Windows XP Professional x86 & SP3 (32-bit)
- Windows 7 Ultimate x86 & SP1 (32-bit)

### TEMPERATURE

- Operating: 0°C to 60°C
- Storage: -20°C to 85°C

### HUMIDITY

- 10% to 90%

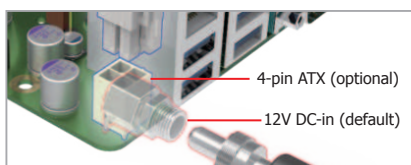
### DIMENSIONS

- 3.5" board
- 146mm (5.75") x 102mm (4.02")

### CERTIFICATION

- CE
- FCC Class B
- RoHS
- UL

## ► Power Connector



## ► Packing List

- |                           |
|---------------------------|
| • 1 CD951-C board         |
| • 1 Serial ATA data cable |
| • 1 DVD                   |
| • 1 QR (Quick Reference)  |

## ► Optional Items

- |  |
|--|
| • Serial ATA data cable                      |
| • USB port cable                             |
| • COM port cable                             |
| • Power adapter (60W, 12V) : 671-106002-102G |
| • Heat sink with fan: A71-110012-000G        |
| • Heat sink: A71-010012-000G                 |