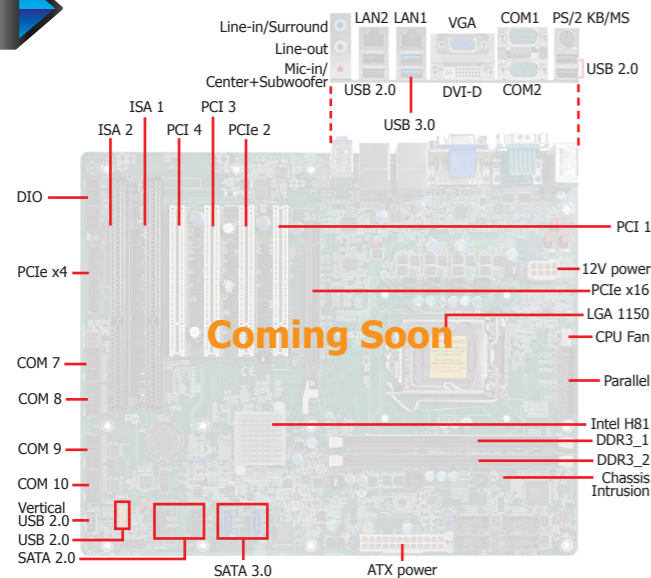


# HD620-H81

Desktop

H81



Coming Soon

**HD620-H81B: 1 LAN, 2 COM**  
**HD620-H81D: 2 LAN, 2 COM**  
**HD620-H81C: 2 LAN, 10 COM**

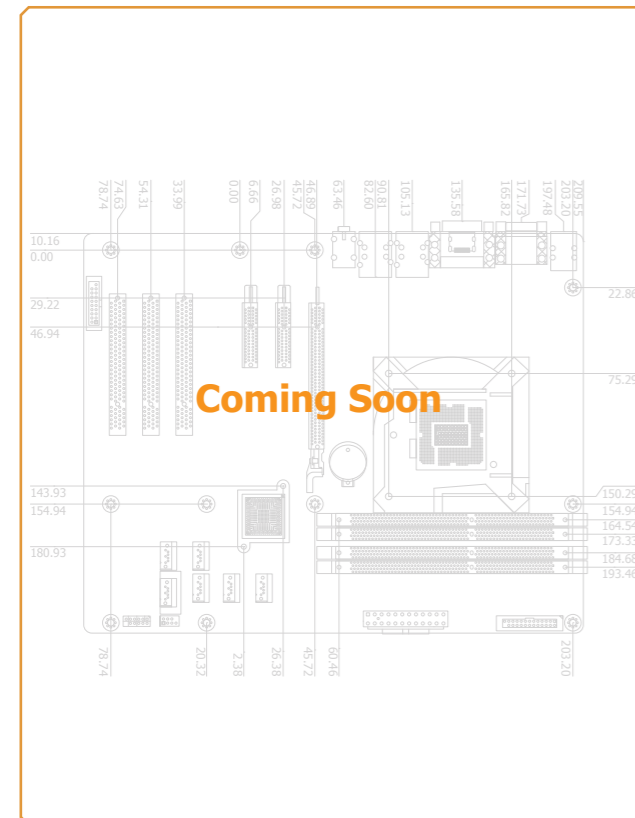
## Features

MEMORY	2 DDR3/DDR3L DIMM up to 16GB
EXPANSION	1 PCIe x16 1 PCIe x4 (x1 signal) 4 PCI 2 ISA
DISPLAY OUTPUTS	1 VGA, 1 DVI-D
LAN	1 LAN
COM	2 COM
USB	10 USB: 2 USB 3.0, 8 USB 2.0
STORAGE	4 SATA: 2 SATA 3.0, 2 SATA 2.0
PARALLEL	1 Parallel
DIO	8-bit DIO



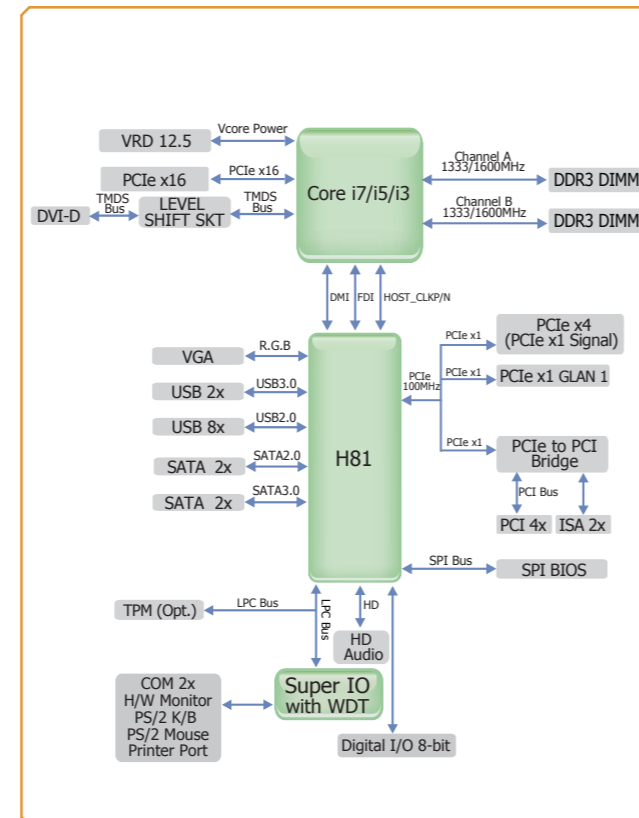
Vertical USB port for securing USB flash drive (optional)

## Mechanical Drawing



Coming Soon

## Block Diagram



## Specifications

### PROCESSOR

- LGA 1150 socket for:
  - 4th Generation Intel® Core™ processors (22nm process technology)
    - Intel® Core™ i7-4770S (8M Cache, up to 3.9 GHz); 65W
    - Intel® Core™ i7-4770TE (8M Cache, up to 3.3 GHz); 45W
    - Intel® Core™ i5-4570S (6M Cache, up to 3.6 GHz); 65W
    - Intel® Core™ i5-4570TE (4M Cache, up to 3.3 GHz); 35W
    - Intel® Core™ i3-4330 (4M Cache, 3.5 GHz); 54W
    - Intel® Core™ i3-4330TE (4M Cache, 2.4 GHz); 35W
    - Intel® Pentium® G3420 (3M Cache, 3.2 GHz); 54W
    - Intel® Pentium® G3320TE (3M Cache, 2.3 GHz); 35W

### CHIPSET

- Intel® H81 Express Chipset

### SYSTEM MEMORY

- Two 240-pin DDR3/DDR3L DIMM sockets
- Supports DDR3/DDR3L 1333/1600MHz
- Supports dual channel memory interface
- Supports up to 16GB system memory
- DRAM device technologies: 1Gb, 2Gb and 4Gb DDR3 DRAM technologies are supported for x8 and x16 devices, unbuffered, non-ECC

### EXPANSION SLOTS

- 1 PCIe x16 Gen 2 slot (PCIe 2.0)
- 1 PCIe x4 Gen 2 slot (PCIe 2.0)
  - x1 signal
- 4 PCI slots (PCI 2.3)
- 2 ISA slots

### ONBOARD GRAPHICS FEATURES

- Intel® HD Graphics
- Display ports: VGA and DVI-D
- VGA and DVI-D supports up to 1920x1200 @ 60Hz resolution
- Supports 6 Graphics Execution Units (EUs)
- Intel® Clear Video Technology
- DirectX Video Acceleration (DXVA) support for accelerating video processing

### ONBOARD AUDIO FEATURES

- Realtek ALC886 5.1-channel High Definition Audio
- Audio outputs: Mic-in/Center+Subwoofer, line-in/surround and line out
- S/PDIF audio interface

### ONBOARD LAN FEATURES

- Intel® 82574 PCI Express Gigabit Ethernet controller
- Integrated 10/100/1000 transceiver
- Fully compliant with IEEE 802.3, IEEE 802.3u, IEEE 802.3ab

### SERIAL ATA (SATA) INTERFACE

- 2 SATA 3.0 ports with data transfer rate up to 6Gb/s
  - SATA port 1 provides adequate space for SATA DOM
- 2 SATA 2.0 ports with data transfer rate up to 3Gb/s
- Integrated Advanced Host Controller Interface (AHCI) controller

### TRUSTED PLATFORM MODULE (TPM) - optional

- Provides a Trusted PC for secure transactions
- Provides software license protection, enforcement and password protection

### REAR PANEL I/O PORTS

- 1 mini-DIN-6 port for PS/2 mouse/keyboard
- 2 DB-9 serial ports
  - Supports RS232/422/485 (RS232 and/or Power)
- 1 VGA port
- 1 DVI-D port
- 1 RJ45 LAN port
- 2 USB 3.0 ports
- 4 USB 2.0 ports
- Line-in/Surround, Line-out, Mic-in/Center+Subwoofer jacks

## Packing List

- 1 HD620 motherboard
- 1 Serial ATA data cable
- 1 I/O shield
- 1 DVD
- 1 QR (Quick Reference)

### I/O CONNECTORS

- 2 connectors for 4 external USB 2.0/1.1 ports
- 1 vertical USB 2.0/1.1 port (optional)
- 1 8-bit Digital I/O connector
- 1 Digital I/O power connector
- 1 front audio connector for line-out and mic-in jacks
- 2 LAN LED connectors
- 1 S/PDIF connector
- 1 parallel port
- 4 Serial ATA ports
- 1 24-pin ATX power connector
- 1 8-pin 12V power connector
- 1 chassis intrusion connector
- 1 front panel connector
- 2 fan connectors

### BIOS

- AMI BIOS
- 64Mbit SPI BIOS

### WATCHDOG TIMER

- Software programmable from 1 to 255 seconds

### ENERGY EFFICIENT DESIGN

- Supports ErP Lot6 power saving (optional)
- Supports ACPI
- System Power Management
- Wake-On-Events include:
  - Wake-On-PS/2 KB/Mouse
  - Wake-On-USB KB/Mouse
  - Wake-On-LAN
  - RTC timer to power-on the system
- CPU stopped clock control
- AC power failure recovery

### DAMAGE FREE INTELLIGENCE

- Monitors CPU/system temperature and overheat alarm
- Monitors VCore/5V/3.3V/V\_DIMM/12V/5VSB voltages and failure alarm
- Monitors CPU/system fan speed and failure alarm
- Read back capability that displays temperature, voltage and fan speed

### POWER CONSUMPTION

- TBD

### OS SUPPORT

- TBD

### TEMPERATURE

- Operating: 0°C to 60°C
- Storage: -20°C to 85°C

### HUMIDITY

- 5% to 90%

### DIMENSIONS

- ATX form factor
- 305mm (12") x 244mm (9.6")

## Optional Items

- USB port cable
- Serial ATA data cable
- Serial ATA power cable
- COM port cable
- I/O shield

# HD620-H81