

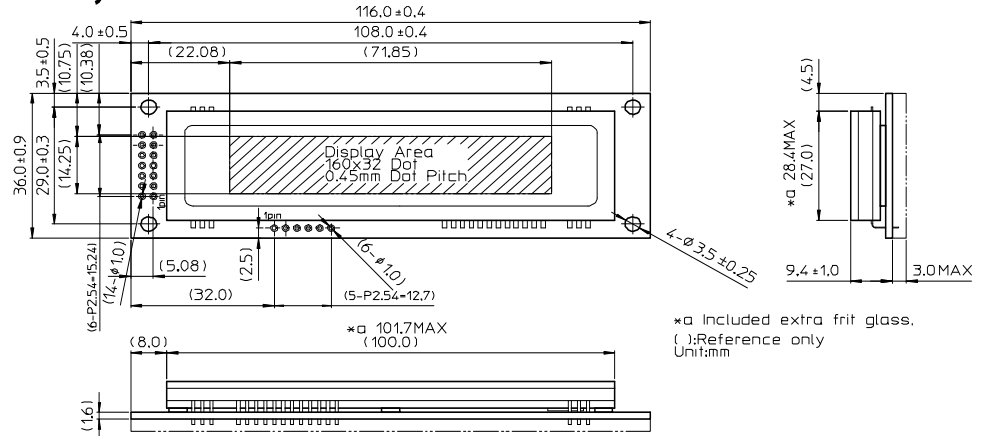
# GU160X32D-7900

## SIMPLIFIED DATASHEET

### Features

160x32 dots high-density type. Same PCB size as current 140x16 dot / 20 line x 2 character models. Use instead of 2x20 LCD or GU140X16G, to increase display function without changing case size.

### Physical dimension



### Get full specification



Click here to go to request form.

## Specifications

### Electrical Ratings

Parameter	Symbol	Min.	Typ.	Max.	Unit	Condition
Power supply voltage	VCC	4.75	5.00	5.25	VDC	-

### Electrical Characteristics

Parameter	Symbol	Min.	Typ.	Max.	Unit	Condition
'L' Logic Input Current	IIL1	-	-	-0.15	mA	VIN=0V
/RESET	IIL2	-	-	-0.6	mA	VIN=0V
'H' Logic Input Current	IIH	-	-	1.0	μADC	VIN=5V
Logic Input Voltage	VIH	0.8VCC	-	VCC	VDC	-
/RESET	VIL	0	-	0.2VCC	VDC	-
Logic Output Voltage	VOH	3.8	-	VCC	VDC	IOH=-1.5mA
D7(Busy flag), PBUSY	VOL	0	-	0.6	VDC	IOL=1.6mA
Logic input resistance	RIN	3	-	-	KΩ	-
Logic Input Voltage	VIH	3.0	-	+15	VDC	-
SIN	VIL	-15	-	0.5	VDC	-
Logic Output Voltage	VOH	4.0	-	VCC	VDC	RL=3KΩ
SBUSY	VOL	0	-	0.5	VDC	RL=3KΩ
Power Supply Current 1	ICC-1	-	360	470	mADC	All dots ON
Power Supply Current 2	ICC-2	-	290	380	mADC	All dots OFF
Power Supply Current 3	ICC-3	-	35	50	mADC	Display power OFF
Power Consumption	-	-	1.80	2.35	W	All dots ON

### Optical Specifications

Parameter	Value
Number of Dots	5,120 (160 x 32)
Character numbers	22 x 4 / Max26 x 4 by 5 x 7 dot ANK 10 x 2 by 16 x 16 dot 2-byte character
Display Area	71.85 mm x 14.25 mm
Dot Size (X x Y)	0.3 mm x 0.3 mm
Dot Pitch (X x Y)	0.45 mm x 0.45 mm
Luminance	350 cd/m <sup>2</sup> Min. (500 cd/m <sup>2</sup> Typ.)
Color of illumination	Green (Blue-Green)

### Environmental Specifications

Parameter	Value
Operating Temperature	-40 ~ +85 degrees celsius
Storage Temperature	-40 ~ +85 degrees celsius
Operating Humidity	20 ~ 80% R.H. (non-condensing)
Storage Humidity	20 ~ 80% R.H. (non-condensing)
Vibration (non-operating)	10-55-10Hz, all amplitude 1mm, 30 minutes, X-Y-Z
Shock (non-operating)	392m/s <sup>2</sup> (40G) 9ms X-Y-Z, 3 times each direction

### Character display

Parameter	Value
Number of Dots	160 x 32 dots
Character font type	5 x 7 ANK, International font 8x16 ANK, International font 16x16 2-byte character
Character width	Fixed/Proportional character format 1&2
Attribution	Character magnify, Reverse
Weight	About 49 g

### Interface

Parallel(CMOS), Asynchronous Serial (RS232)

### Pin Assignment (Parallel)

Pin No.	Signal	Pin No.	Signal
1	GND	2	Vcc
3	NC	4	RS
5	/WR	6	/RD
7	D0	8	D1
9	D2	10	D3
11	D4	12	D5
13	D6	14	D7(PBUSY)

### (Asynchronous Serial)

Pin No.	Signal	Baud Rate Setting
1	Vcc	9600bps
2	SIN	19200bps
3	GND	38400bps*
4	SBUSY	115200bps
5	NC	(*:Default setting)
6	/RESET	

### Functions

Parameter	Value
Control command	
Scroll display action	
Proportional Font function	
User-Windows function	
AND/OR/XOR Mixture display	
Reverse display	
Bit image display	
FROM bit image definition	
Character download function	
etc.	



Leaflet contents, and specifications and external appearance of products, may change without notice.

Please confirm product details in the specification.

(C)Copyright NORITAKE ITRON CORP.