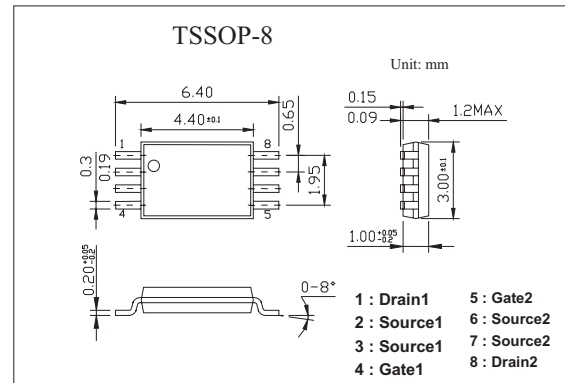
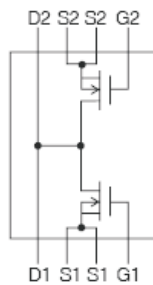


Ultrahigh-Speed Switching Applications KTD2005

■ Features

- Low ON resistance.
- 2.5V drive.
- Mounting height 1.1mm.
- Composite type, facilitating high-density mounting.



■ Absolute Maximum Ratings Ta = 25°C

Parameter	Symbol	Rating	Unit
Drain-to-Source Voltage	V _{DSS}	20	V
Gate-to-Source Voltage	V _{GSS}	±10	V
Drain Current(DC)	I _D	1	A
Drain Current(pulse) *1	I _{DP}	4	A
Allowable Power Dissipation *2	P _D	0.8	W
Total Dissipation *2	P _T	1.0	W
Channel Temperature	T _{ch}	150	°C
Storage Temperature	T _{stg}	-55 to +150	°C

*1 PW ≤ 10 μs, duty cycle ≤ 1%

*2 Mounted on a ceramic board (1000mm²X0.8mm)

KTD2005

■ Electrical Characteristics Ta = 25°C

Parameter	Symbol	Testconditions	Min	Typ	Max	Unit
Drain-to Source Breakdown Voltage	$V_{(BR)DSS}$	$I_D=1mA, V_{GS}=0$	20			V
Zero Gate Voltage Drain Current	I_{DSS}	$V_{DS} = 20 V, V_{GS} = 0 V$			10	μA
Gate-to-Source Leakage Current	I_{GSS}	$V_{GS} = \pm 8 V, V_{DS} = 0 V$			± 10	μA
Cutoff Voltage	$V_{GS(off)}$	$V_{DS} = 10 V, I_D = 1 mA$	0.4		1.3	V
Forward Transfer Admittance	$ Y_{fs} $	$V_{DS} = 10 V, I_D = 1 A$	1.8	2.6		S
Drain to Source On-state Resistance	$R_{DS(on)1}$	$V_{GS} = 10 V, I_D = 1 A$		200	260	m Ω
	$R_{DS(on)2}$	$V_{GS} = 4 V, I_D = 1 A$		260	360	
Input Capacitance	C_{iss}	$V_{DS} = 10 V, f = 1 MHz$		90		pF
Output Capacitance	C_{oss}			60		pF
Reverse Transfer Capacitance	C_{rss}			28		pF
Turn-on Delay Time	$t_{d(on)}$		See Specified Test Circuit		10	
Rise Time	t_r			22		ns
Turn-off Delay Time	$t_{d(off)}$			20		ns
Fall Time	t_f			19		ns
Total Gate Charge	Q_g	$V_{DS}=10V, V_{GS}=10V, I_D=1A$		6		nC
Gate-to-Source Charge	Q_{gs}			1		nC
Gate-to-Drain "Miller" Charge	Q_{gd}			2		nC
Diode Forward Voltage	V_{SD}	$I_S = 1 A, V_{GS} = 0 V$		1.0	1.2	V

■ Switching Time Test Circuit

