

## MOS Field Effect Transistor

### 2SK3794

#### Features

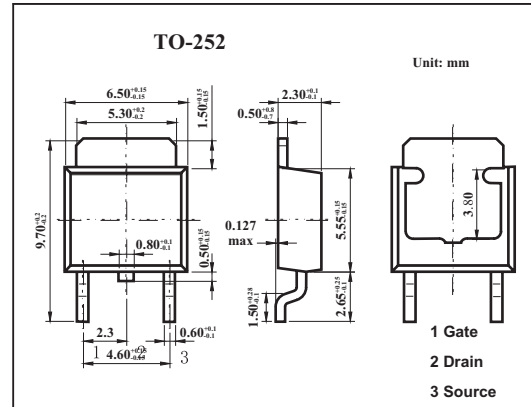
- Low On-state resistance

$R_{DS(on)1} = 44 \text{ m}\Omega \text{ MAX. (} V_{GS} = 10 \text{ V, } I_D = 10 \text{ A)}$

$R_{DS(on)2} = 78 \text{ m}\Omega \text{ MAX. (} V_{GS} = 4.0 \text{ V, } I_D = 10 \text{ A)}$

- Low  $C_{iss}$ :  $C_{iss} = 760 \text{ pF TYP.}$

- Built-in gate protection diode



#### Absolute Maximum Ratings $T_a = 25^\circ\text{C}$

Parameter	Symbol	Rating	Unit
Drain to source voltage	$V_{DS}$	60	V
Gate to source voltage	$V_{GS}$	$\pm 20$	V
Drain current	$I_D$	$\pm 20$	A
	$I_{dp}^*$	$\pm 50$	A
Power dissipation	$P_D$	$T_A=25^\circ\text{C}$	1.5
		$T_c=25^\circ\text{C}$	30
Channel temperature	$T_{ch}$	150	$^\circ\text{C}$
Storage temperature	$T_{stg}$	-55 to +150	$^\circ\text{C}$

\*  $PW \leq 10 \mu\text{s}$ , Duty Cycle  $\leq 1\%$

#### Electrical Characteristics $T_a = 25^\circ\text{C}$

Parameter	Symbol	Test conditions	Min	Typ	Max	Unit
Drain cut-off current	$I_{DSS}$	$V_{DS}=60\text{V}, V_{GS}=0$			10	$\mu\text{A}$
Gate leakage current	$I_{GSS}$	$V_{GS} = \pm 20\text{V}, V_{DS}=0$			$\pm 10$	$\mu\text{A}$
Gate cut off voltage	$V_{GS(off)}$	$V_{DS}=10\text{V}, I_D=1\text{mA}$	2.5	3.5	4.5	V
Forward transfer admittance	$ Y_{fs} $	$V_{DS}=10\text{V}, I_D=10\text{A}$	7.0	15		S
Drain to source on-state resistance	$R_{DS(on)1}$	$V_{GS}=10\text{V}, I_D=10\text{A}$		35	44	$\text{m}\Omega$
	$R_{DS(on)2}$	$V_{GS}=4.0\text{V}, I_D=10\text{A}$		54	78	$\text{m}\Omega$
Input capacitance	$C_{iss}$	$V_{DS}=10\text{V}, V_{GS}=0, f=1\text{MHz}$		760		pF
Output capacitance	$C_{oss}$			150		pF
Reverse transfer capacitance	$C_{rss}$			71		pF
Turn-on delay time	$t_{on}$				13	
Rise time	$t_r$	$I_D=10\text{A}, V_{GS(on)}=10\text{V}, R_G=0\Omega, V_{DD}=30\text{V}$		170		ns
Turn-off delay time	$t_{off}$			43		ns
Fall time	$t_f$			34		ns
Total Gate Charge	$Q_G$		$V_{DD} = 48\text{V}$		17	
Gate to Source Charge	$Q_{GS}$	$V_{GS} = 10\text{V}$		3.0		nC
Gate to Drain Charge	$Q_{GD}$	$I_D = 10\text{A}$		4.7		nC