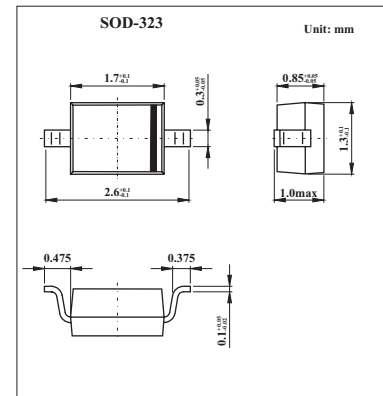


## Silicon Epitaxial Planar Diode

## 1SV230

## ■ Features

- High Capacitance Ratio:  $C_{2V}/C_{20V} = 8$  (Typ.)
- Low Series Resistance:  $r_s = 0.73 \Omega$  (Typ.)
- Useful for small size Tuner.

■ Absolute Maximum Ratings  $T_a = 25^\circ\text{C}$ 

Parameter	Symbol	Value	Unit
Reverse Voltage	$V_R$	30	V
Peak Reverse Voltage	$V_{RM}$	35( $R_L = 10 \text{ K } \Omega$ )	V
Junction Temperature	$T_j$	125	$^\circ\text{C}$
Storage Temperature Range	$T_{stg}$	-55 to +125	$^\circ\text{C}$

■ Electrical Characteristics  $T_a = 25^\circ\text{C}$ 

Parameter	Symbol	Conditions	Min	Typ	Max	Unit
Reverse Voltage	$V_R$	$I_R = 1 \mu\text{A}$	30			V
Reverse Current	$I_R$	$V_R = 28 \text{ V}$			10	nA
Capacitance	$C_{2V}$	$f = 1 \text{ MHz}; V_R = 2 \text{ V}$	13.9	15	16.1	pF
	$C_{20V}$	$f = 1 \text{ MHz}; V_R = 20 \text{ V}$	1.7	1.9	2.1	
Capacitance Ratio	$C_{2V}/C_{20V}$		7.1	8		
Series Resistance	$r_s$	$V_R = 5 \text{ V}, f = 470 \text{ MHz}$		0.73	0.9	$\Omega$

## ■ Marking

Marking	T7
---------	----