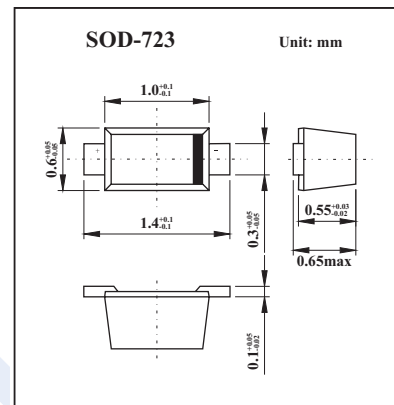


## High Speed Switching Diodes

### 1SS400G

#### ■ Features

- Small surface mounting type
- High Speed
- High reliability with high surge current handling capability



#### ■ Absolute Maximum Ratings Ta = 25°C

| Parameter               | Symbol             | Rating      | Unit |
|-------------------------|--------------------|-------------|------|
| Peak reverse voltage    | V <sub>RM</sub>    | 90          | V    |
| DC reverse voltage      | V <sub>R</sub>     | 80          | V    |
| Average forward current | I <sub>o</sub>     | 100         | mA   |
| Peak forward current    | I <sub>FM</sub>    | 225         | mA   |
| Surge current (1s)      | I <sub>surge</sub> | 500         | mA   |
| Junction temperature    | T <sub>j</sub>     | 125         | °C   |
| Storage temperature     | T <sub>stg</sub>   | -55 to +125 | °C   |

#### ■ Electrical Characteristics Ta = 25°C

| Parameter             | Symbol          | Test Conditions   | Min | Typ | Max | Unit |
|-----------------------|-----------------|---|-----|-----|-----|------|
| Forward voltage       | V <sub>F</sub>  | I <sub>F</sub> =100mA   |     |     | 1.2 | V    |
| Reverse current       | I <sub>R</sub>  | V <sub>R</sub> =80V   |     |     | 0.1 | μA   |
| Total Capacitance     | C <sub>T</sub>  | V <sub>R</sub> =0.5V, f=1MHZ                                    |     |     | 3.0 | pF   |
| Reverse recovery time | t <sub>rr</sub> | V <sub>R</sub> =6V, I <sub>F</sub> =10mA, R <sub>L</sub> =100 Ω |     |     | 4   | ns   |

#### ■ Marking

|         |   |
|---------|---|
| Marking | 7 |
|---------|---|