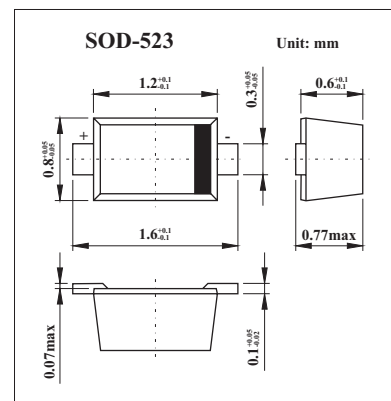


Band switching diode

1SS390

■ Features

- Extremely Small surface mounting type. (EMD2)
- High reliability.

■ Absolute Maximum Ratings $T_a = 25^\circ\text{C}$

Parameter	Symbol	Limits	Unit
DC reverse voltage	V_R	35	V
DC forward current	I_F	100	mA
Junction temperature	T_j	125	$^\circ\text{C}$
Storage temperature	T_{stg}	-55 to +125	$^\circ\text{C}$

■ Electrical Characteristics $T_a = 25^\circ\text{C}$

Parameter	Symbol	Conditions	Min	Typ	Max	Unit
Forward voltage	V_F	$I_F = 10\text{ mA}$			1.0	V
Reverse current	I_R	$V_R = 25\text{ V}$			10	nA
Capacitance between terminals	C_T	$V_R = 6\text{ V}$, $f = 1\text{ MHz}$			1.2	pF
Forward operating resistance	r_F	$I_F = 2\text{ mA}$, $f = 100\text{ MHz}$			0.9	Ω