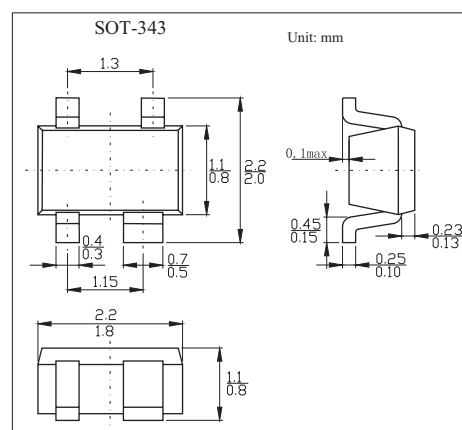


Low Voltage High Speed Switching

1SS383

■ Features

- Composed of 2 independent diodes.
- Low forward voltage: $V_F(3) = 0.54V$ (typ.)
- Low reverse current: $I_R = 5 \mu A$ (max)

■ Absolute Maximum Ratings $T_a = 25^\circ C$

| Parameter | Symbol | Rating | Unit |
|--------------------------------|-----------|--------------------|------------|
| Maximum (peak) reverse voltage | V_{RM} | 85 | V |
| Reverse voltage | V_R | 80 | V |
| Maximum (peak) forward current | I_{FM} | 300 ⁽¹⁾ | mA |
| Average forward current | I_O | 100 ⁽¹⁾ | mA |
| Surge current (10 ms) | I_{FSM} | 2 ⁽¹⁾ | A |
| Power dissipation | P | 150 | mW |
| Junction temperature | T_j | 125 | $^\circ C$ |
| Storage temperature range | T_{stg} | -55 to +125 | $^\circ C$ |
| Operating temperature range | T_{opr} | -40 to +100 | $^\circ C$ |

Note

1. Unit Rating. Total Rating = Unit Rating \times 1.5

■ Electrical Characteristics $T_a = 25^\circ C$

| Parameter | Symbol | Conditions | Min | Typ | Max | Unit |
|-------------------|------------|--|-----|------|------|---------|
| Forward voltage | $V_{F(1)}$ | $I_F = 1 \text{ mA}$ | | 0.28 | | V |
| | $V_{F(2)}$ | $I_F = 10 \text{ mA}$ | | 0.36 | | |
| | $V_{F(3)}$ | $I_F = 100 \text{ mA}$ | | 0.54 | 0.60 | |
| Reverse current | I_R | $V_R = 40 \text{ V}$ | | | 5 | μA |
| Total capacitance | C_T | $V_R = 0 \text{ V}, f = 1 \text{ MHz}$ | | 18 | 25 | pF |

■ Marking

| | |
|---------|----|
| Marking | A4 |
|---------|----|