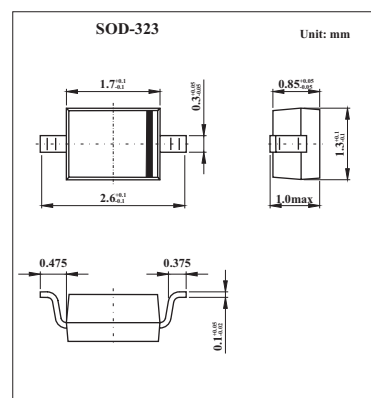


LOW VOLTAGE HIGH SPEED SWITCHING

1SS357

■ Features

- Low forward voltage : $V_{F(3)} = 0.54 \text{ V(Typ)}$
- Low resistance current : $I_R = 5 \mu \text{ A (Max)}$
- Small package: :SC-70

■ Absolute Maximum Ratings $T_a = 25^\circ\text{C}$

Parameter	Symbol	Rating	Unit
Maximum (peak) reverse voltage	V_{RM}	85	V
Reverse voltage	V_R	80	V
Maximum (peak) forward current	I_{FM}	200	mA
Average forward current	I_o	100	mA
Surge current (10 ms)	I_{FSM}	1	A
Power dissipation	P	200(*)	mW
Junction Temperature	T_j	125	$^\circ\text{C}$
Storage Temperature range	T_{stg}	-55 + 125	$^\circ\text{C}$

(*) Mounted on a glass epoxy circuit board of 20 * 20 mm, pad dimension of 4 * 4 mm.

■ Electrical Characteristics $T_a = 25^\circ\text{C}$

Parameter	Symbol	Test Conditions	Min	Typ	Max	Unit
Forward voltage	$V_{F(1)}$	$I_F = 1 \text{ mA}$		0.28		V
	$V_{F(2)}$	$I_F = 10 \text{ mA}$		0.36		
	$V_{F(3)}$	$I_F = 100 \text{ mA}$		0.54	0.6	
Reverse current	I_R	$V_R = 40 \text{ V}$			5	$\mu \text{ A}$
Total capacitance	C_t	$V_R = 0, f = 1.0 \text{ MHz}$		18	25	pF

■ Marking

Marking	S3
---------	----