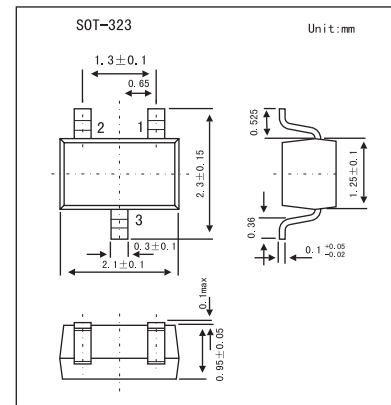


VHF TUNER BAND SWITCH APPLICATIONS

1SS313

■ Features

- Small Total capacitance: $C_T = 1.2\text{pF}(\text{Max})$
- Low series resistance: $r_s = 0.6\ \Omega(\text{Typ.})$

■ Absolute Maximum Ratings $T_a = 25^\circ\text{C}$

Parameter	Symbol	Rating	Unit
Reverse Voltage	V_R	30	V
Forward Current	I_F	50	mA
Junction temperature	T_J	125	$^\circ\text{C}$
Storage temperature range	T_{stg}	-55 to +125	$^\circ\text{C}$

■ Electrical Characteristics $T_a = 25^\circ\text{C}$

Parameter	Symbol	Conditions	Min	Typ	Max	Unit
Forward voltage	V_F	$I_F = 2\ \text{mA}$			0.85	V
Reverse current	I_R	$V_R = 15\ \text{V}$			0.1	μA
Reverse voltage	V_R	$I_R = 1\ \mu\text{A}$	30			V
Total capacitance	C_T	$V_R = 6\ \text{V}, f = 1\ \text{MHz}$		0.8	1.2	pF
Series resistance	r_s	$I_F = 2\ \text{mA}, f = 100\ \text{MHz}$		0.6	0.9	Ω

■ Marking

Marking	BG
---------	----