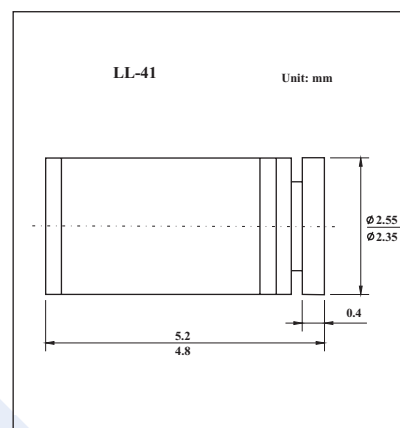


Silicon Rectifiers

KLL4001-KLL4007

■ Features

- Nominal current 1A
- Repetitive peak reverse voltage 50V to 1000V



■ Absolute Maximum Ratings $T_a = 25^\circ\text{C}$

Parameter	Symbol	Rating	Unit
Repetitive Peak Reverse Voltage	KLL4001	50	V
	KLL4002	100	
	KLL4003	200	
	KLL4004	400	
	KLL4005	600	
	KLL4006	800	
	KLL4007	1000	
Nominal Current with Resistive Load $T_{amb}=25^\circ\text{C}$	I_{FAV}	1	A
Surge Forward Current, 8.3ms Superimposed	I_{FSM}	30	A
Ambient Operating Temperature Range	T_{amb}	-65 to 175	$^\circ\text{C}$
Storage Temperature Range	T_s	-65 to 175	$^\circ\text{C}$

■ Electrical Characteristics $T_a = 25^\circ\text{C}$

Parameter	Symbol	Testconditions	Min	Typ	Max	Unit
Forward voltage	V_F	$I_F=1\text{A}, T_j=25^\circ\text{C}$			1.1	V
Leakage Current	I_R	at $V_{RRM}, T_j=25^\circ\text{C}$			5	μA