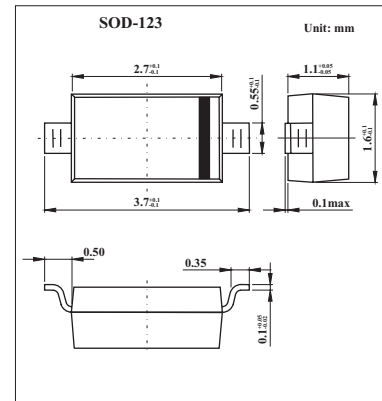


Current Diode Regulator KE183W thru KE253W

■ Features

- Metal silicon junction, majority carrier conduction
- Low power loss, high efficiency



■ Absolute Maximum Ratings Ta = 25°C

Parameter	Symbol	KE183W	KE203W	KE223W	KE253W	Unit
Regulator current at specified test	IP	18	20	22	23	mA
Knee impedance Test Voltage at I=0.8 IP	VK	3.0				V
Peak Operating Voltage	VBO	100.0				V
A 90Hz signal VK with RMS value equal to 10% of test voltage, VK, is superimposed on VK: RK=VK/ik	RDK	10 to 300				Ohm
DC Power	Pd	1.0				W
Operating junction temperature range	TJ	-50 to +150				°C
Storage temperature range	TSTG	-50 to +150				°C
Typical temperature coefficient	TC	-0.20 to -0.15	-0.20 to -0.32	-0.23 to -0.32	-0.23 to -0.35	%/°C

Note1: Field-effect current regulator diodes are circuit elements that provide a current essentially independent of voltage,

These diodes are especially designed for maximum impedance over the operating range. These devices may be used in parallel to obtain higher currents

Note2: Generally ip indicate ±10% tolerance; suffix: "A" indicate ±5% tolerance