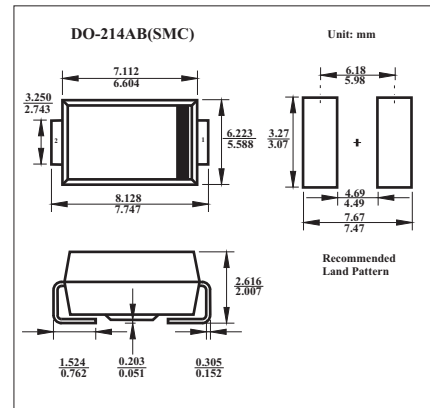


Surface Mount Schottky Barrier Rectifier

KBRD540CTT4

Features

- Guard Ring Die Construction for Transient Protection
- Ideally Suited for Automatic Assembly
- Low Forward Voltage Drop
- High Current Capability , High Efficiency
- Low Power Loss



Absolute Maximum Ratings $T_a = 25^\circ\text{C}$

Parameter	Symbol	Rating	Unit
Repetitive peak reverse voltage	V_{RRM}	40	V
RMS voltage	V_{RMS}	28	V
DC blocking voltage	V_{DC}	40	V
Maximum average forward rectified current @ $T_c=75^\circ\text{C}$	$I_{F(AV)}$	5.0	A
Peak forward surge current 8.3ms single half sine-wave superimposed on rated load (JEDEC Method)	I_{FSM}	175	A
Instantaneous forward voltage at $I_F = 5.0\text{A}$	V_F	0.55	V
Maximum DC reverse current @ $T_A=25^\circ\text{C}$ at rated DC blocking voltage @ $T_A=100^\circ\text{C}$	I_R	0.5 20	mA
Typical Junction Capacitance (Note 1)	C_J	300	pF
Typical Thermal Resistance, Junction to Ambient	$R_{\theta JA}$	50	$^\circ\text{C}/\text{W}$
Operating Temperature Range	T_J	-55 to +125	$^\circ\text{C}$
Storage Temperature Range	T_{stg}	-55 to +150	$^\circ\text{C}$

Note: 1. Measured at 1.0MHz and applied reverse voltage of 4.0V DC.

Marking

Marking	B540C
---------	-------