

Schottky Barrier Diode

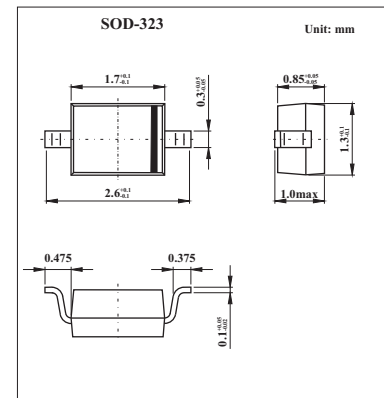
KB161VA-20

Features

Small Power mold type.

Low V_F

High reliability



Absolute Maximum Ratings $T_a = 25^\circ\text{C}$

Parameter	Symbol	Rating	Unit
Reverse voltage (repetitive peak)	V_{RM}	30	V
Reverse voltage(DC)	V_R	20	V
Average rectified forward current	I_o	1	A
Forward current surge peak (60Hz 1cyc)	I_{FSM}	5	A
Junction temperature	T_j	125	$^\circ\text{C}$
storage temperature	T_{stg}	-40 to +125	$^\circ\text{C}$

Electrical Characteristics $T_a = 25^\circ\text{C}$

Parameter	Symbol	Test conditions	Min	Typ	Max	Unit
Forward voltage	V_F	$I_F=700\text{mA}$		0.33	0.37	V
		$I_F=1.0\text{A}$		0.38	0.42	V
Reverse current	I_R	$V_R=20\text{V}$		0.2	1	μA