

## Schottky barrier diode

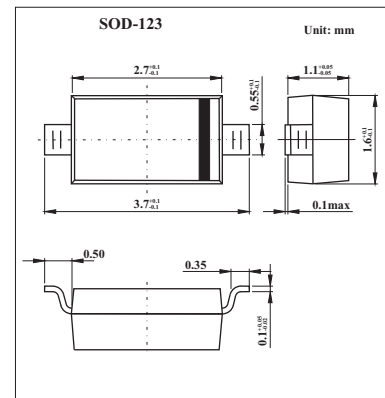
### KB161M-20

#### Features

Power mold type.

Low  $V_F$

High reliability



#### Absolute Maximum Ratings $T_a = 25^\circ\text{C}$

Parameter	Symbol	Rating	Unit
Reverse voltage (repetitive peak)	$V_{RM}$	25	V
Reverse voltage (DC)	$V_R$	20	V
Average rectified forward current	$I_o$	1	A
Forward current surge peak	$I_{FSM}$	30	A
operating junction temperature	$T_j$	125	$^\circ\text{C}$
storage temperature	$T_{stg}$	-40 to +150	$^\circ\text{C}$

#### Electrical Characteristics $T_a = 25^\circ\text{C}$

Parameter	Symbol	Testconditons	Min	Typ	Max	Unit
Forward voltage	$V_F$	$I_F=1.0A$			0.55	V
		$I_F=3.0A$			0.9	V
Reverse current	$I_R$	$V_R=20V$		280	700	$\mu\text{A}$

#### Marking

Marking	SL
---------	----

# KB161M-20

## Typical Characteristic

