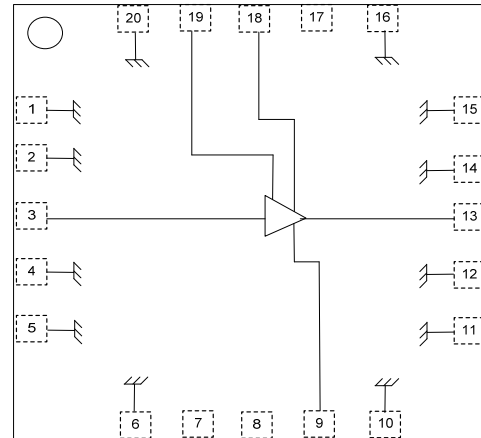


Features:

- Frequency Range: 0.1 – 26.5 GHz
- P3dB: +27 dBm
- Gain: 12.5 dB
- Vdd =8 to 12 V
- I_{ds} =250 to 500 mA
- Input and Output Fully Matched to 50 Ω

Applications:

- Fiber optics communication systems
- Microwave and wireless communication systems
- Microwave and optical instrumentations
- Military and EW equipments



Functional block diagram

Description:

The MMA-013027-R4 is a broadband GaAs MMIC Traveling Wave Amplifier (TWA) with medium output power and high gain over 0.1 to 26.5GHz frequency range. This amplifier is optimally designed for broadband applications requiring flat gain and high power with excellent input and output matches over a 0.1 to 26.5GHz frequency range.

Absolute Maximum Ratings: (T_a= 25 °C)*

SYMBOL	PARAMETERS	UNITS	Min.	Max.
V _{ds}	Drain-Source Voltage	V		12.5
V _{g1}	First Gate-Source Voltage	V	-2	0
I _{g1}	First Gate Current	mA	-10	1
V _{g2}	Second Gate-Source Voltage	V	-3.5	6
I _{g2}	Second Gate-Source Current	mA	-20	
P _{diss}	Maximum Power dissipation	W		4.65
P _{in max}	RF Input Power	dBm		23
T _{ch}	Channel Temperature	°C		+150
T _{stg}	Storage Temperature	°C		-55 to +165
T _{max}	Max. Assembly Temp (60 sec max)	°C		+300

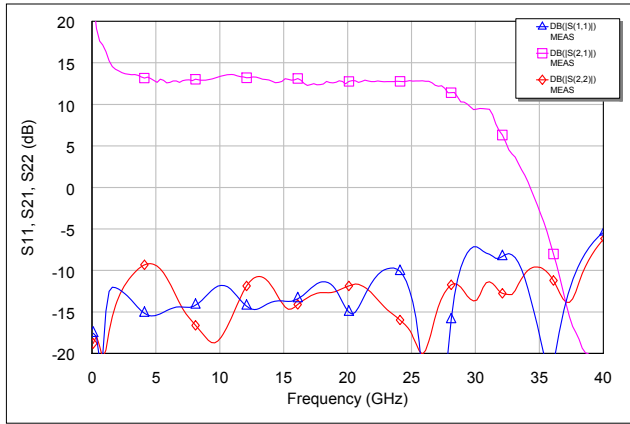
*Operation of this device above any one of these parameters may cause permanent damage.

Electrical Specifications: *V_{ds}=10V, V_{g1}=-0.75V, V_{g2}=1V, I_{ds}=350mA, T_a=25 °C Z₀=50 ohm*

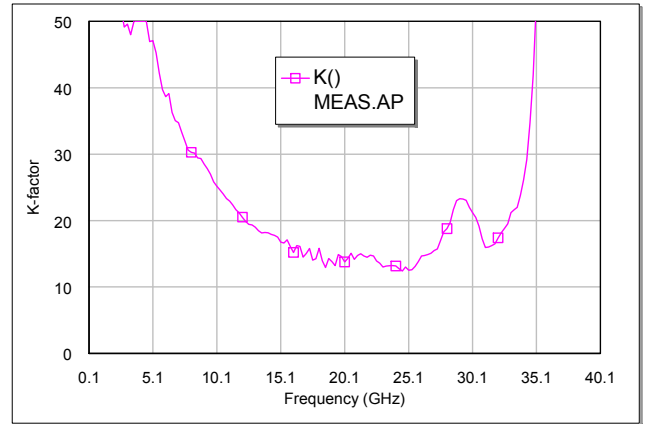
Parameter	Units	Min.	Typ.	Max.
Frequency Range	MHz	0.1		26,500
Gain (Typ / Min)	dB	11.5	12.5	
Gain Flatness (Typ / Max)	+/- dB		0.5	0.7
Input RL(Typ/ Max)	dB	9	11	
Output RL(Typ/ Max)	dB	9	11	
Output P1dB(Typ/ Min)	dBm	22	26	
Output IP3 ⁽¹⁾	dBm		35	
Output P3dB(Typ/ Min)	dBm	23	27	
Operating Current at P1dB (Typ/ Max)	mA		350	380
Thermal Resistance	°C / W		14	

(1) Output IP3 is measured with two tones at output power of 10 dBm/tone separated by 20 MHz.

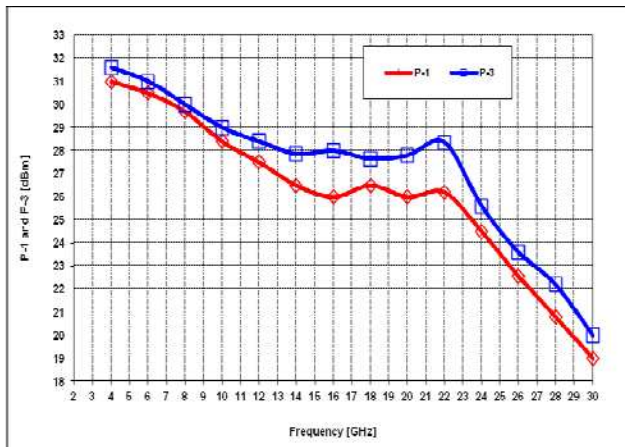
Typical RF Performance: $V_{ds}=10V$, $V_{g1}=-0.75V$, $V_{g2}=1V$, $I_{ds}=350mA$, $Z_0=50\text{ ohm}$, $T_a=25\text{ }^\circ\text{C}$



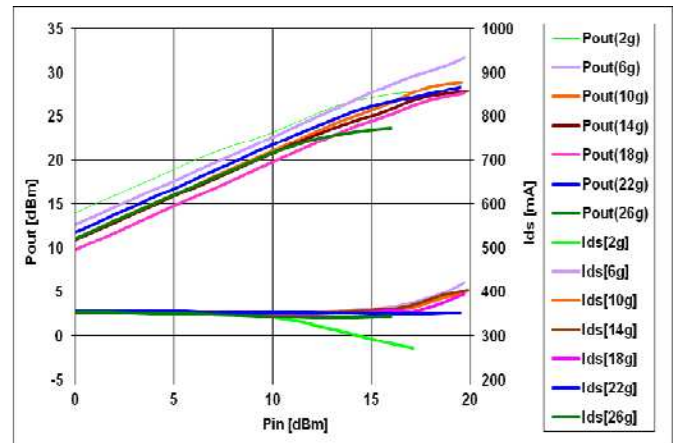
S11, S21, and S22 vs. Frequency



K-factor vs. Frequency



P-1 and P-3 vs. Frequency



Pout and Ids vs. Pin

Applications

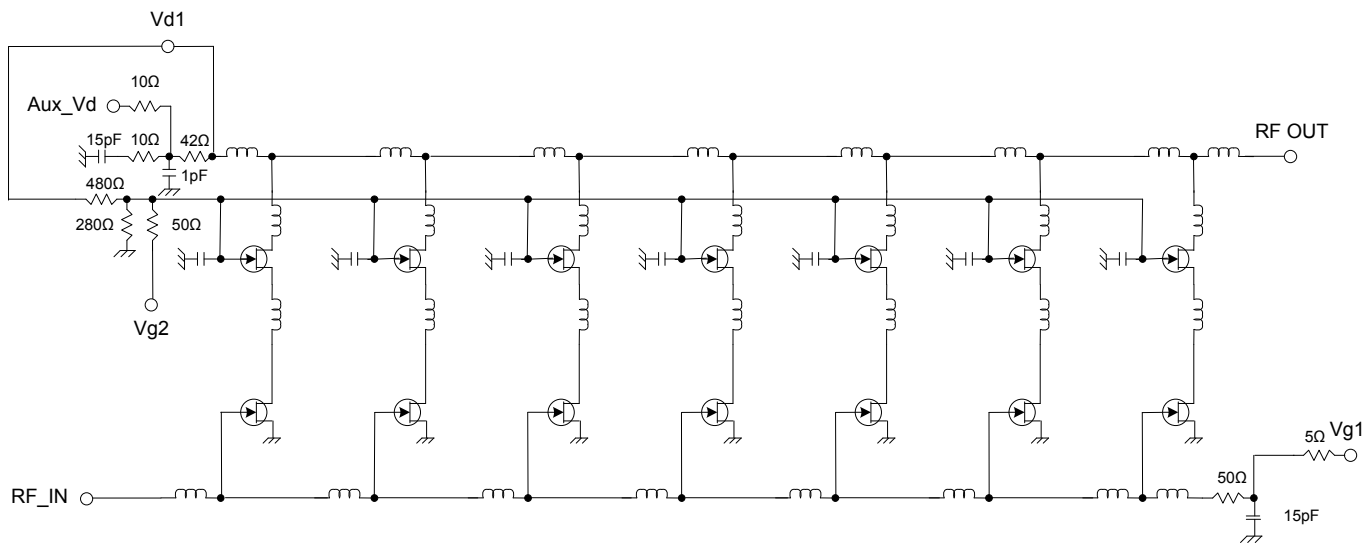
The **MMA012727-R4** traveling wave amplifier is designed for use as a general purpose wideband power stage in microwave communication systems, and test equipments. It is ideally suited for broadband applications requiring a flat gain response and excellent port matches over a 0.1 to 26.5 GHz frequency range. Dynamic gain control and low-frequency extension capabilities are designed into these devices.

Biasing and Operation

The recommended bias conditions for best performance for the **MMA012727** are $V_{DD} = 10V$, $I_{DD} = 350mA$. To achieve these drain current levels, V_{g1} is typically $-0.75V$, and V_{g2} is typically $+1V$. No other bias supplies or connections to the device are required for 0.1 to 26.5 GHz operation. The gate voltage (V_{g1}) should be applied prior to the drain voltage (V_{d1}) during power up and removed after the drain voltage during power down. Performance improvements are possible depending on applications. The drain bias voltage range is 8 to 12V and the quiescent drain current biasing range is 250mA to 500mA. The **MMA013027** is a DC coupled amplifier. External coupling capacitors are needed on RF_{IN} and RF_{OUT} ports. The drain bias pad is connected to RF and must be decoupled to the lowest operating frequency. An auxiliary drain contacts is provided when performance below 2GHz is required. The second gate (V_{g2}) can be used to obtain 30 dB (typical) dynamic gain control. For maximum gain operation, typical V_{g2} is $+1V$.

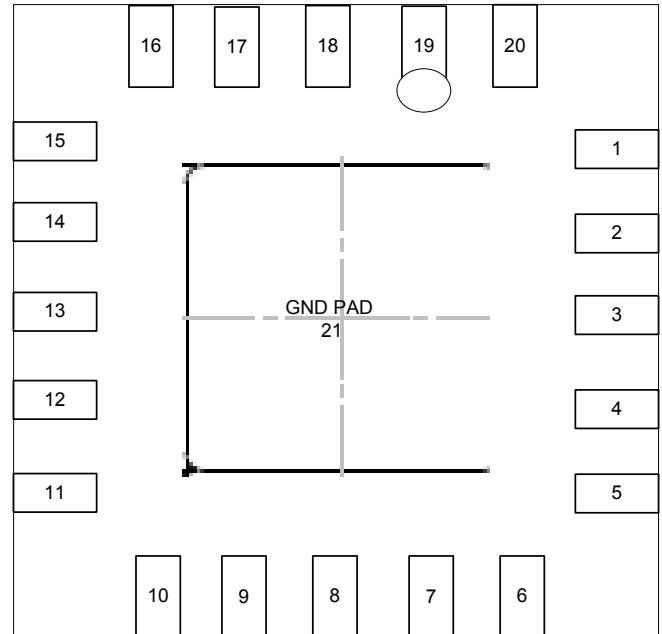
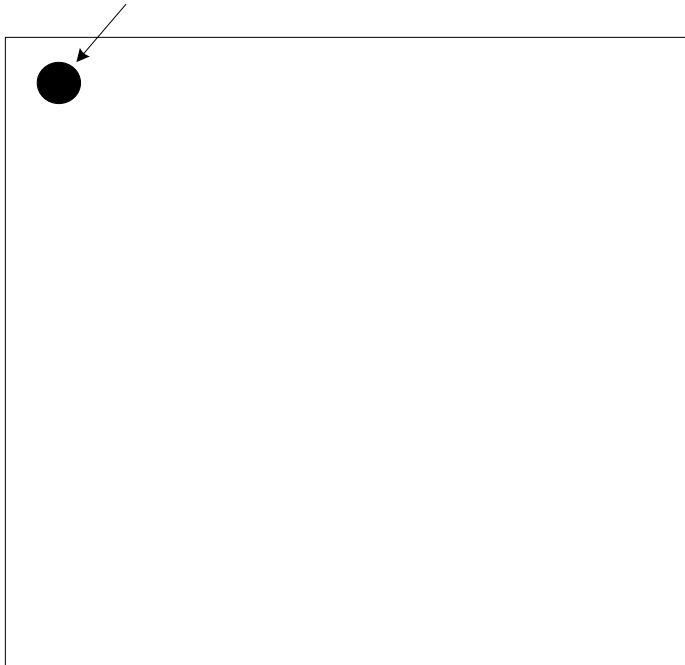
Assembly Techniques

GaAs MMICs are ESD sensitive. ESD preventive measures must be employed in all aspects of storage, handling, and assembly. MMIC ESD precautions, handling considerations, die attach and bonding methods are critical factors in successful GaAs MMIC performance and reliability.



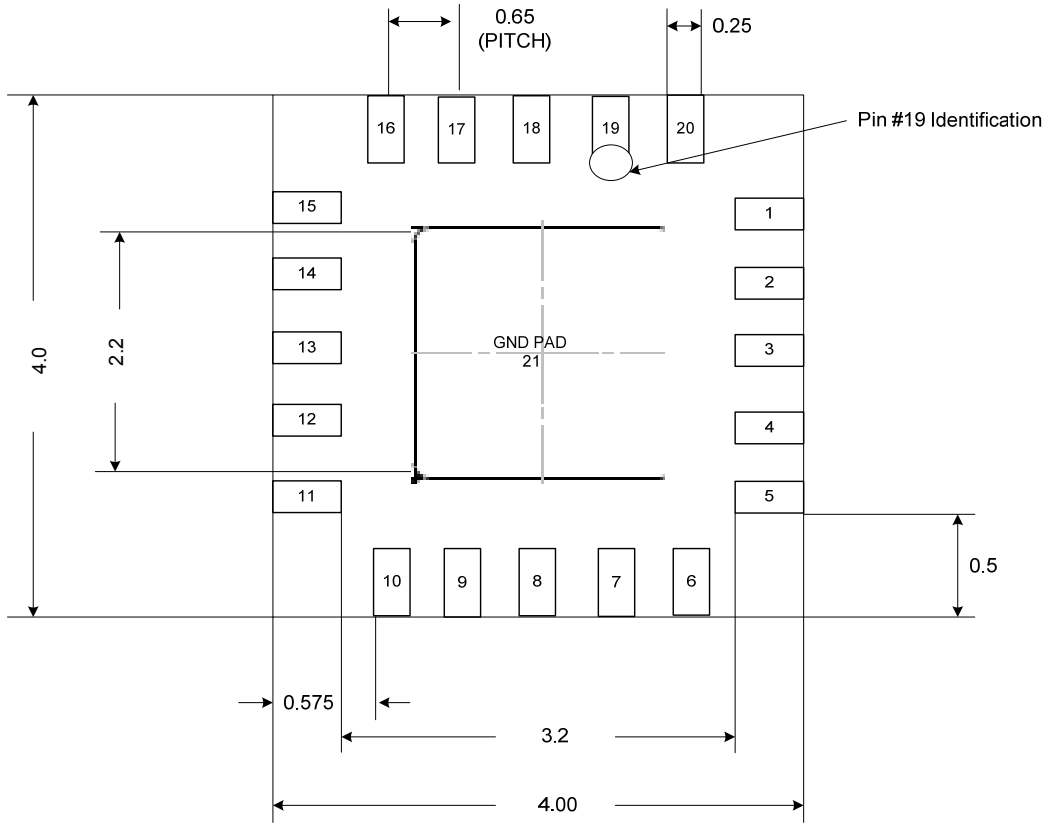
Package Pin-out:

Pin #1 Dot

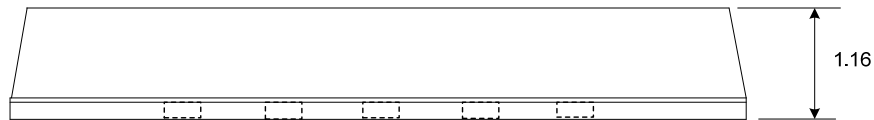


Pin	Description
3	RF Input
13	RF Output
9	Vg1
18	Vg2
19	Vdd_Aux
1, 2, 4, 5, 6, 10, 11, 12, 14, 15, 16, 20, 21	Ground
7, 8, 17	N/C

Mechanical Information:



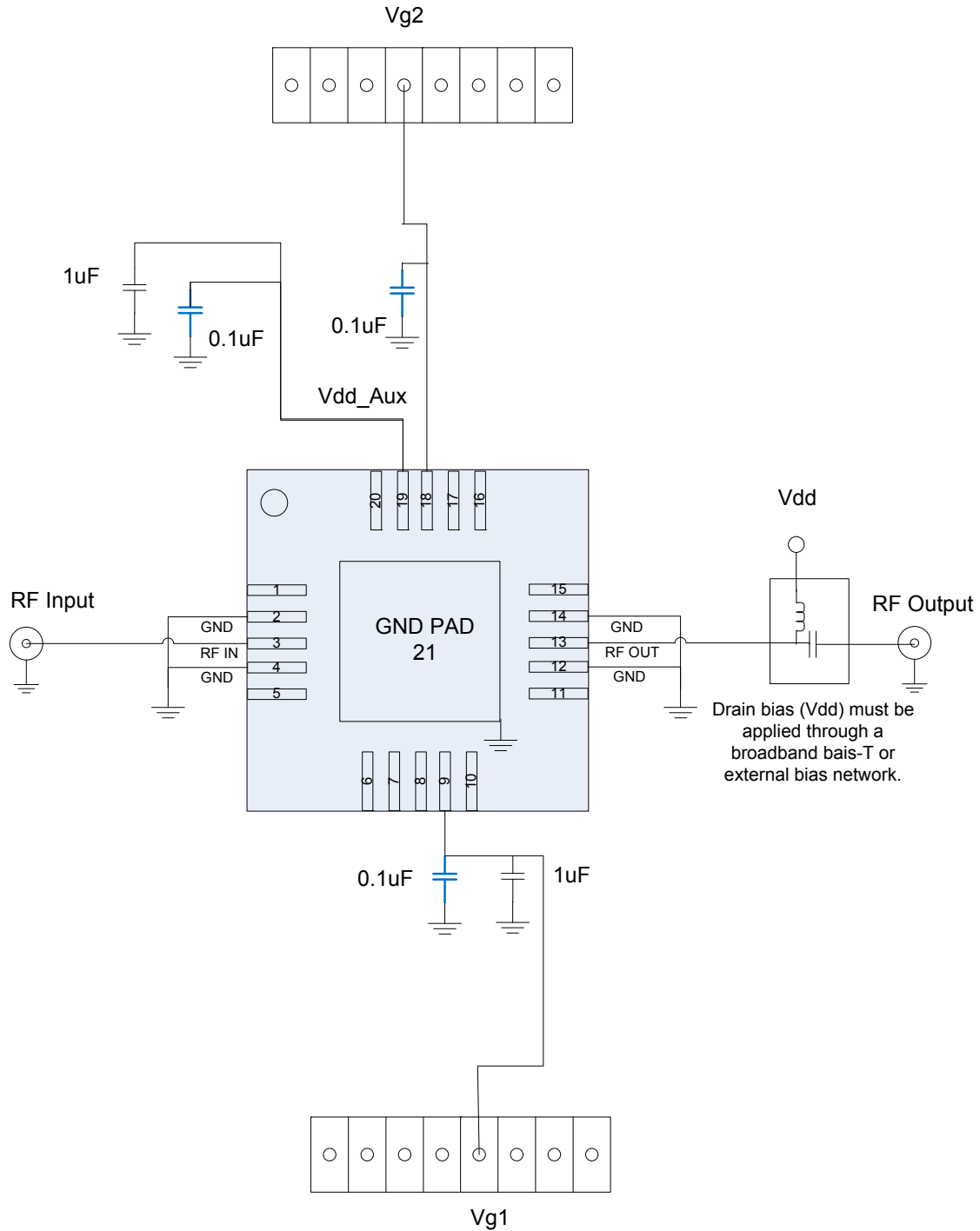
BOTTOM VIEW



SIDE VIEW

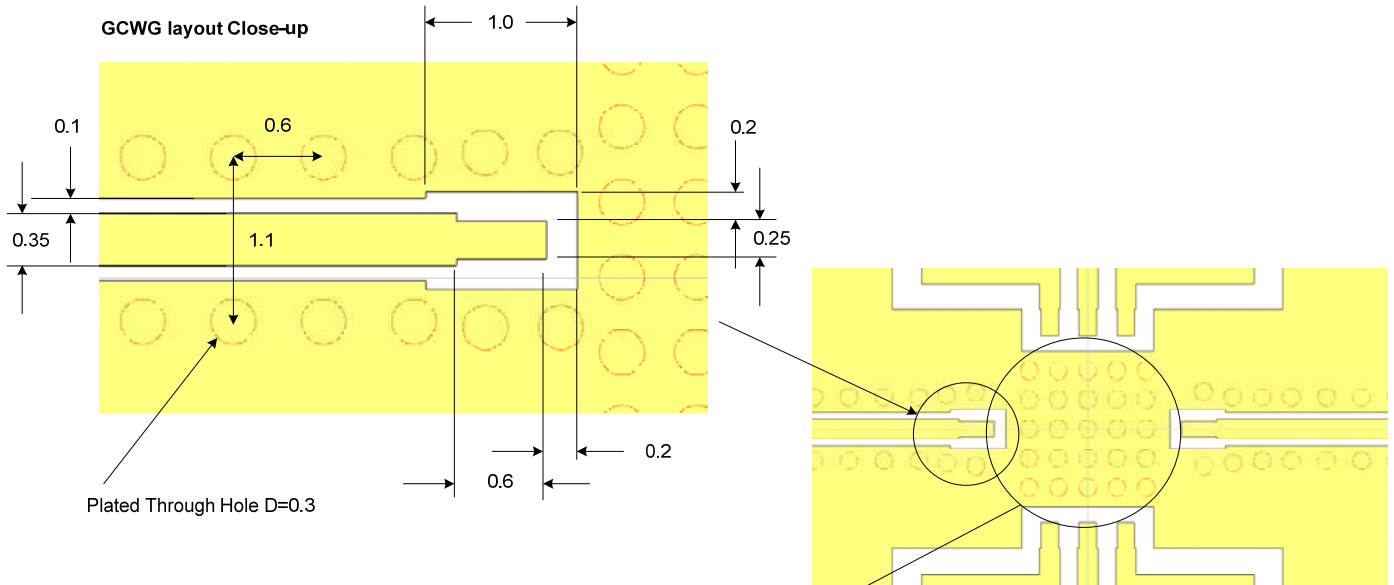
The units are in [mm].

Application Circuit:



Recommended Application Board Design:

Board Material is 10mil (Dielectric) thickness Rogers 4350B with 0.5oz copper clads. The board material and mounting pattern, as defined in the data sheet, optimizes RF performance and is strongly recommended. An electronic drawing of the land pattern is available upon request from MwT Sales & Application Engineering.



All units are in millimeters.

Underneath of the package must be
Copper filled plated through holes.
D=0.3mm and Space=0.5mm
Total Via-holes = 5 x 5

Copper filled thru vias
D=0.3mm, Space=0.5mm
7x7

For best thermal
dissipation, 3mm square
Copper filled PCB is
recommended.

